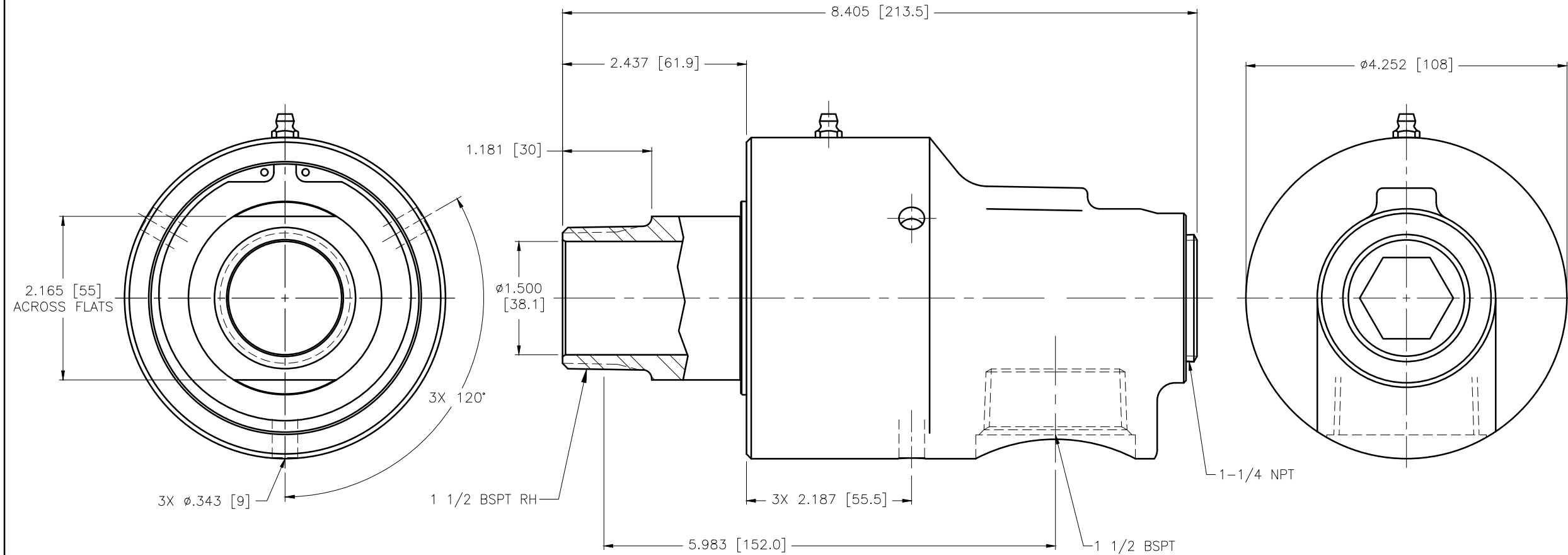


CONFIDENTIAL
 THIS DOCUMENT CONTAINS CONFIDENTIAL AND PROPRIETARY INFORMATION OF DEUBLIN COMPANY. COPYING, USE, TRANSMISSION, DISTRIBUTION, AND DISCLOSURE ARE SUBJECT TO THE TERMS AND CONDITIONS CONTAINED IN YOUR AGREEMENT WITH DEUBLIN COMPANY. ALL RIGHTS RESERVED.



OPERATING DATA		
MEDIA	WATER	
MAX WATER PRESSURE	750 PSI	51 bar
MAX WATER TEMP.	250°F	121°C
MAX SPEED	3500 RPM	3500/min

SCALE	1 = 1	DWG SIZE
DRN	NR	03/03/09
ENGR	SS	03/03/09
APPD	SS	03/03/09
PART NO.	555-900-515	
CUSTOMER		
LET.	REVISION	ECO DATE SIGN

UNLESS SPECIFICALLY TOLERANCED, ALL DIMENSIONS ARE REFERENCE
 DIMENSIONS IN [] ARE IN MILLIMETERS.

DEUBLIN COMPANY
 WAUKEGAN, ILLINOIS, U.S.A.

TITLE: INTERFACE CONTROL DRAWING OF DEUBLIN UNION 555-900-515

DWG NO. 555-900-515 C.A.D. DRAWING