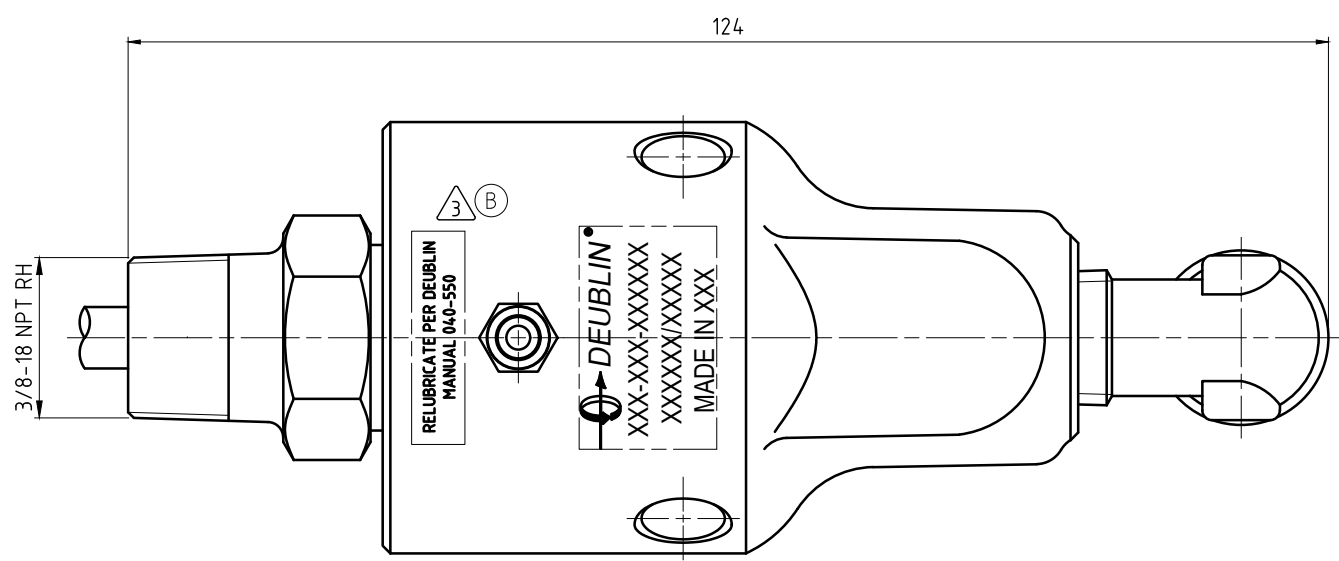
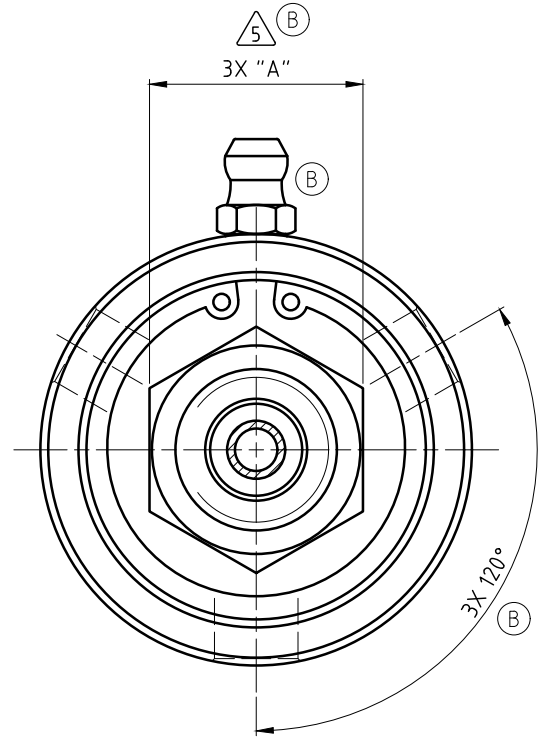
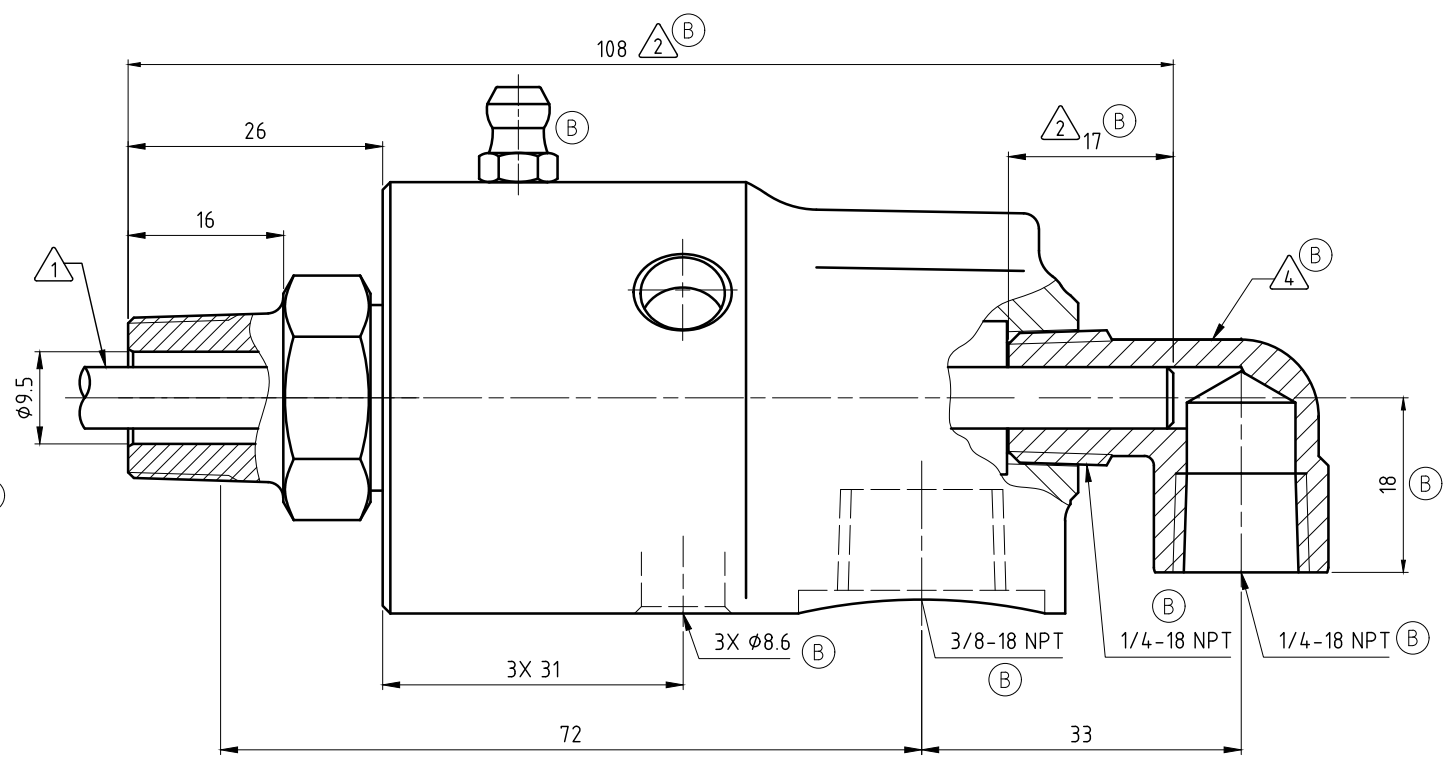
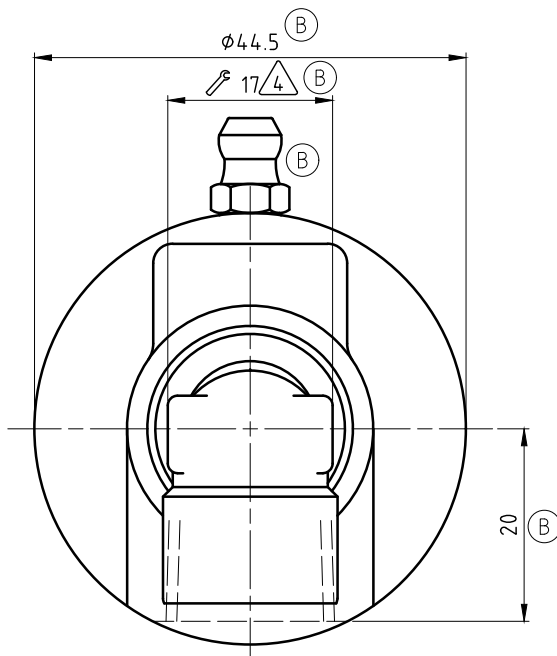


CONFIDENTIAL  
 THIS DOCUMENT CONTAINS CONFIDENTIAL AND PROPRIETARY INFORMATION OF DEUBLIN COMPANY. COPYING, USE, TRANSMISSION, DISTRIBUTION, AND DISCLOSURE ARE SUBJECT TO THE TERMS AND CONDITIONS CONTAINED IN YOUR AGREEMENT WITH DEUBLIN COMPANY. ALL RIGHTS RESERVED.

(B) NOTES:

- ① - PIPE SUPPLIED BY CUSTOMER. PIPE SIZE: 6.35mm
- ② - PIPE LENGTH.
- ③ - CONTACT DEUBLIN OR VISIT WWW.DEUBLIN.COM FOR INSTRUCTION MANUAL: 040-550
- ④ - FITTING TO BE ASSEMBLED HAND-TIGHT, OR MAY BE SHIPPED UNASSEMBLED.

⑤ - DEPENDING ON COUNTRY OF ORIGIN, HEX STOCK MAY VARY AS NOTED. SEE TABLE FOR ACCEPTABLE WRENCH SIZES.



OPERATING DATA			
MEDIA	WATER	SATURATED STEAM (INTERMITTENT)	THERMAL OIL
PRESSURE MAX.	50 bar	1 bar	6.6 bar
SPEED MAX.	1500 min <sup>-1</sup>		
TEMPERATURE MAX.	121 °C		
DRY RUN (WITHOUT ANY MEDIA)	NO		
RECOMMENDED FILTRATION	60 micron		

⑤	HEX SIZES		WRENCHES	
	UNITS	"A"	22mm	7/8"
(B)	METRIC [mm]	22-0.33	✓	✓
	IMPERIAL [in]	22.23-0.013	✗	✓

**DEUBLIN**  
 HOERBIGER Rotary Solutions

PROJECTION:	SCALE: 2:1	TITLE: DEUBLIN UNION
MATERIAL:	INTERFACE CONTROL DRAWING	
DATE: 09/28/04	NAME: RM	NO. 57-000-001030
ENGR. 09/28/04	ARS	
APPD.		
ISSUE MODIFICATION	ECO DATE SIGN	SHEET A2