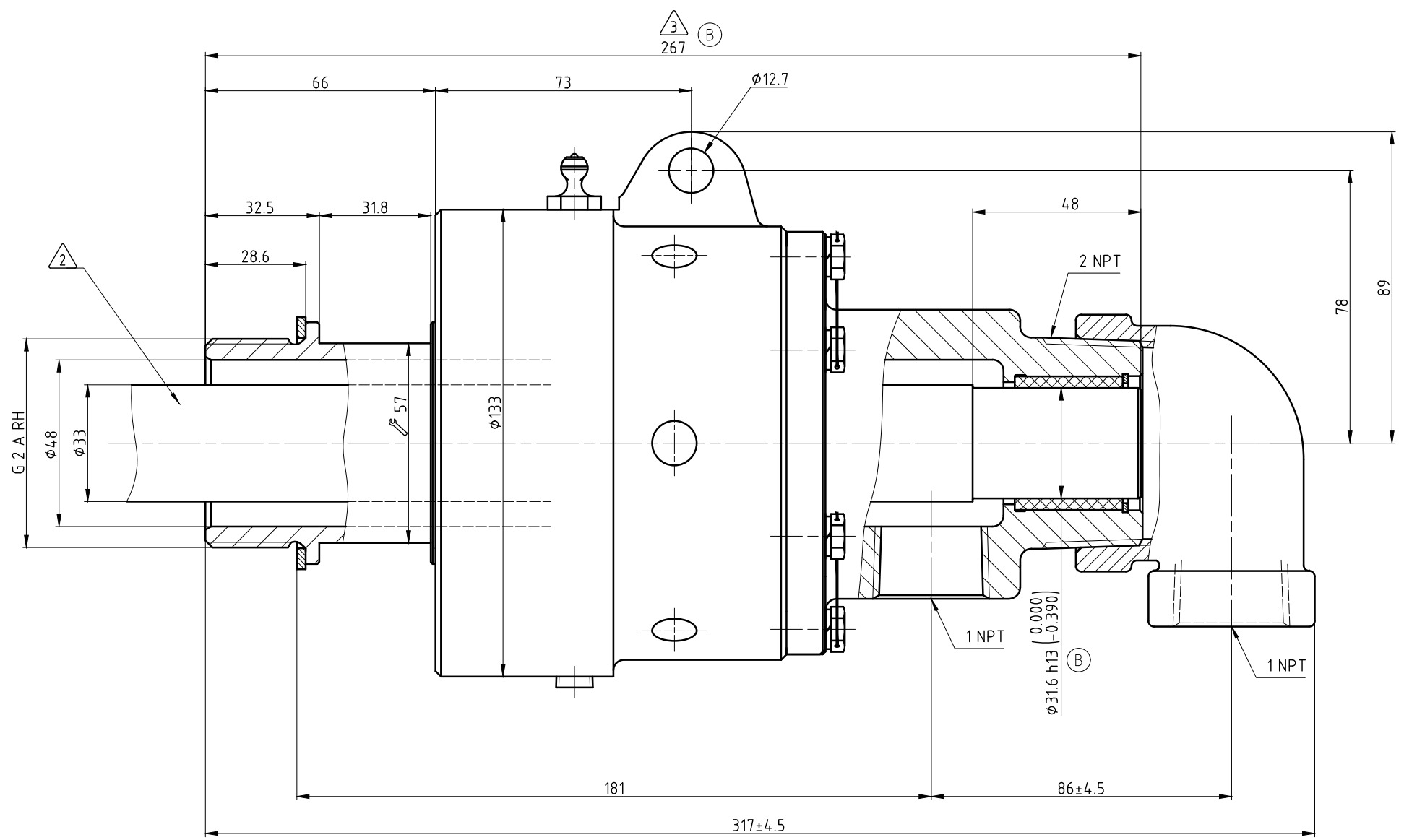


CONFIDENTIAL
 THIS DOCUMENT CONTAINS CONFIDENTIAL AND PROPRIETARY
 INFORMATION OF DEUBLIN COMPANY. COPYING, USE,
 TRANSMISSION, DISTRIBUTION, AND DISCLOSURE ARE SUBJECT
 TO THE TERMS AND CONDITIONS CONTAINED IN YOUR
 AGREEMENT WITH DEUBLIN COMPANY. ALL RIGHTS RESERVED.

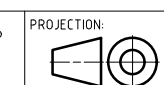
NOTES:

1 - CONTACT DEUBLIN OR VISIT WWW.DEUBLIN.COM
 FOR INSTRUCTION MANUAL: 040-561

- ② - PIPE SUPPLIED BY CUSTOMER.
- ③ - PIPE LENGTH.



OPERATING DATA	
MEDIA	WATER
PRESSURE MAX.	10 bar
SPEED MAX.	750 min ⁻¹
TEMPERATURE MAX.	120 °C
DRY RUN (WITHOUT ANY MEDIA)	NO



PROJECTION: SCALE: 1:1
 MATERIAL: INTERFACE CONTROL DRAWING

DATE	NAME	TITLE
DRN. 06.01.2014	CD	DEUBLIN ROTATING UNION DEUBLIN Drehdurchführung
ENGR. 06.01.2014	CW	
APPD.		

NO. 6200-002-137
 SHEET A2

ISSUE	MODIFICATION	ECO	DATE	CD	SIGN
A	WAS 271 / 0316 16	04.4.833	11/17	CD	

UNLESS SPECIFICALLY TOLERANCED, ALL DIMENSIONS ARE CONSIDERED REFERENCE