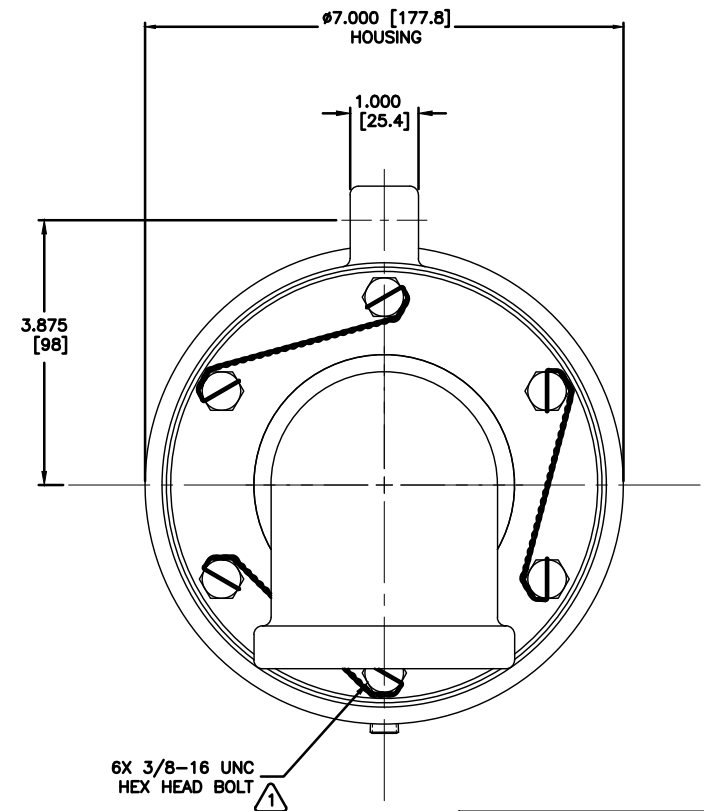
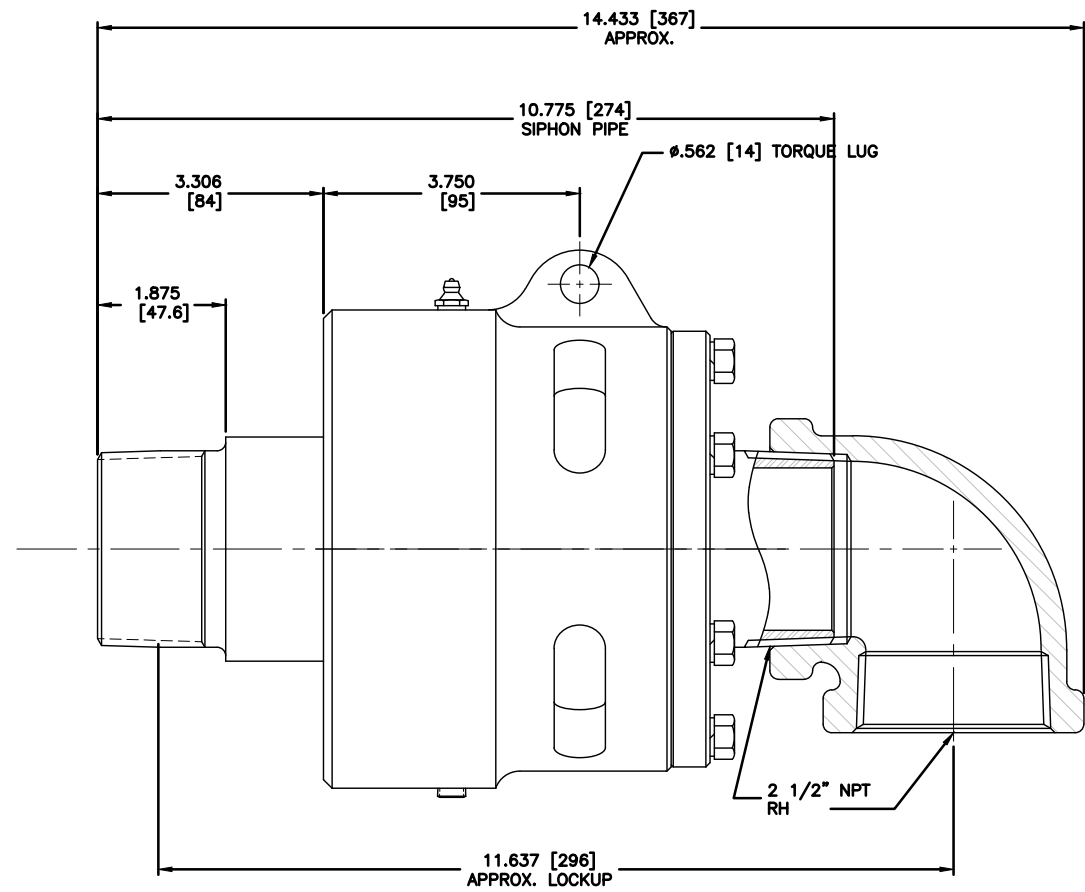
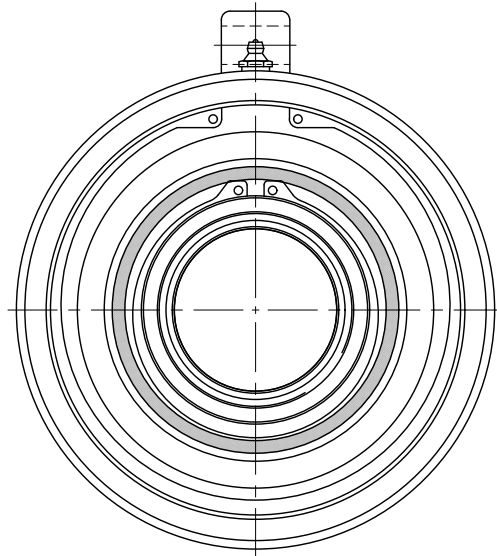
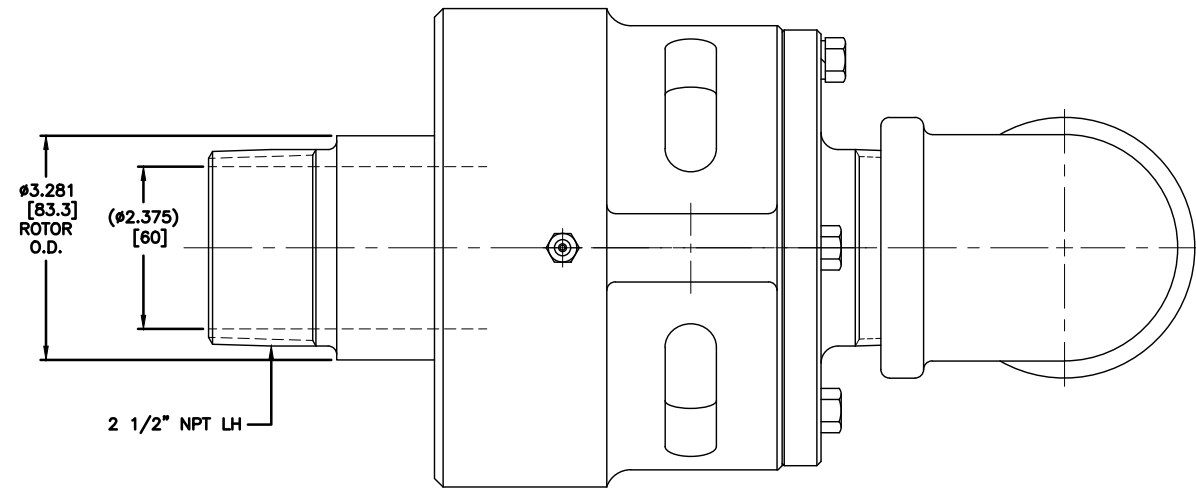


NOTES:

- 1 - TORQUE BOLTS TO 20-30 FT-LBS (27-41 Nm) AND SAFETY WIRE.
- 2 - WHEN ORDERING FROM DEUBLIN USE PART NUMBER 6250-001-119.

OPERATING DATA:
 WATER SERVICE
 150 P.S.I. (10 bar) MAX. PRESSURE
 750 R.P.M. (750/MIN) MAX. SPEED
 250°F (121°C) MAX. TEMPERATURE
 90 G.P.M. (341 L/min) MAX FLOW



CONFIDENTIAL
 THIS DOCUMENT CONTAINS PROPRIETARY INFORMATION AND IS NOT TO BE TRANSMITTED, REPRODUCED, USED OR DISCLOSED TO ANYONE WITHOUT THE WRITTEN PERMISSION OF THE DEUBLIN COMPANY.

EQUIPMENT REF:		SIZE 3-4	REV D
ASSY/TEST FEATURES REQUIRED:		DATE 09/04/02	BY LMG
REVISION		DATE	BY
A	REMOVED SIPHON PIPE (WRONG)	04/05	LG

UNTOLERANCED DIMENSIONS ±.010 DECIMALS AS SPECIFIED. DIMENSIONS IN [] ARE IN MILLIMETERS.

DEUBLIN COMPANY
 WAUKEGAN, ILLINOIS, U.S.A.
 INTERFACE CONTROL
 DRAWING FOR UNION
 6250-001-119
 6250-001-119-IC