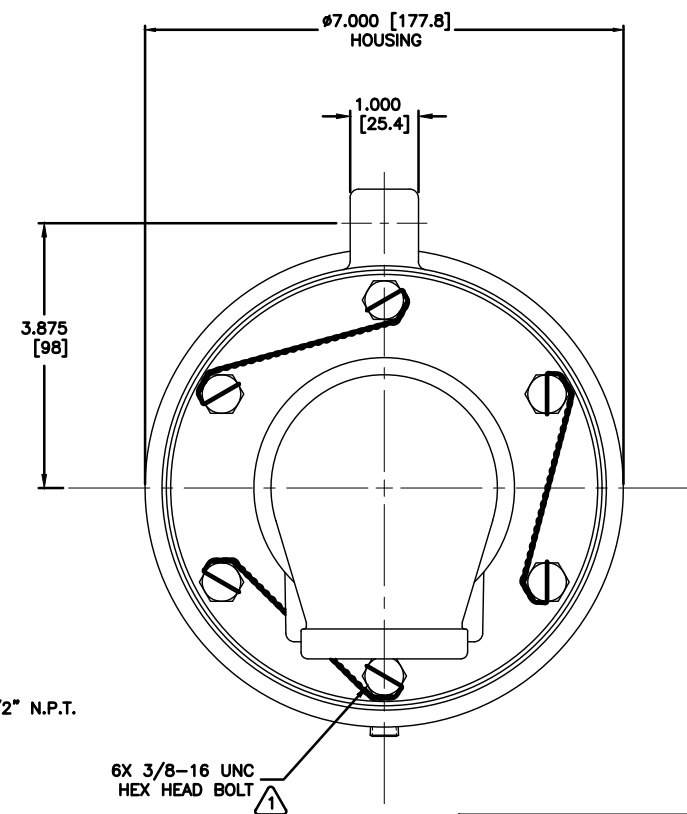
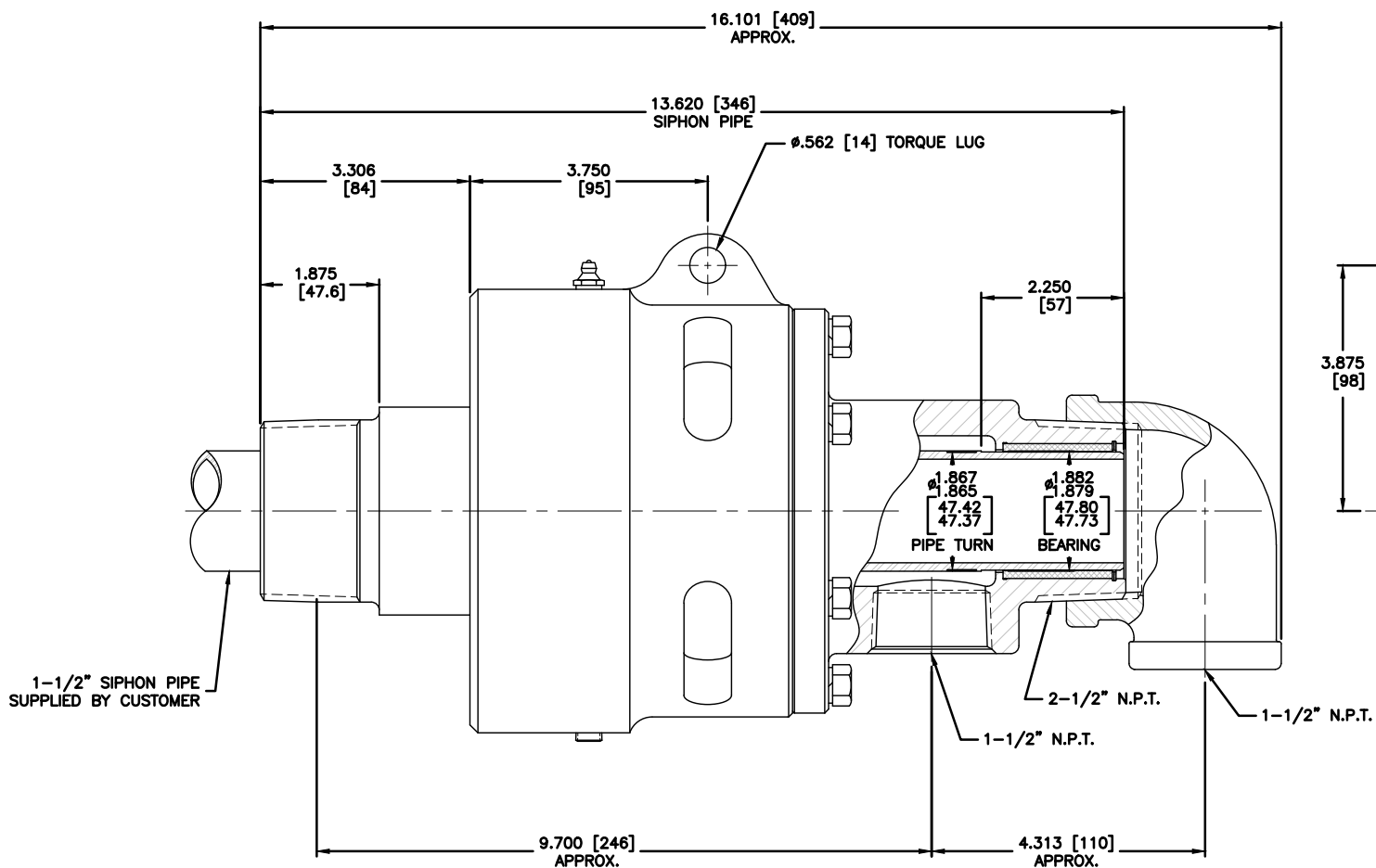
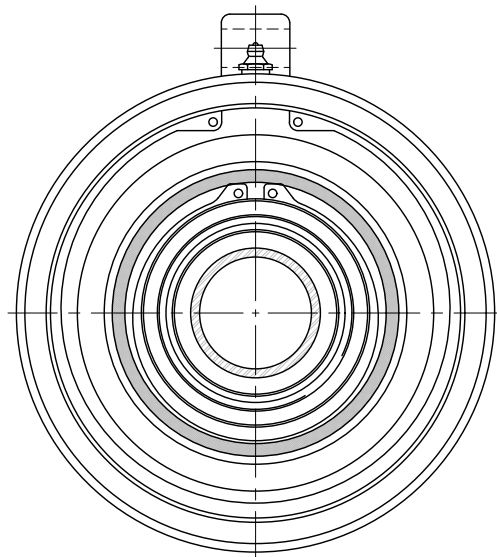
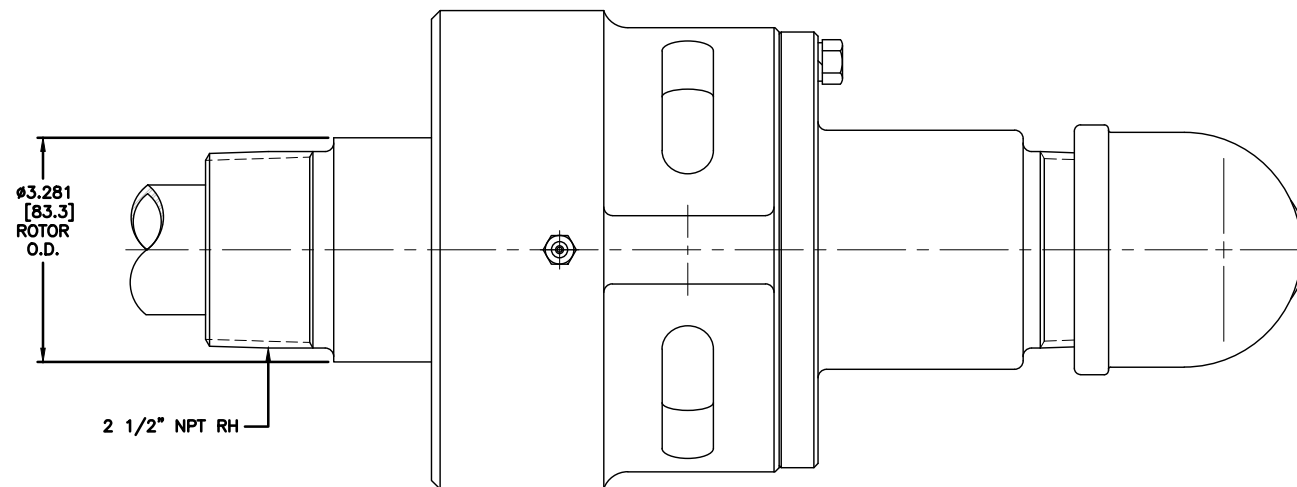


NOTES:

- 1 - TORQUE BOLTS TO 20-30 FT-LBS (27-41 Nm) AND SAFETY WIRE.
- 2 - WHEN ORDERING FROM DEUBLIN USE PART NUMBER 6250-002-115.

OPERATING DATA:
 WATER SERVICE
 150 P.S.I. (10 bar) MAX. PRESSURE
 750 R.P.M. (750/MIN) MAX. SPEED
 250°F (121°C) MAX. TEMPERATURE
 90 G.P.M. (341 L/min) MAX FLOW



CONFIDENTIAL
 THIS DOCUMENT CONTAINS PROPRIETARY INFORMATION AND IS NOT TO BE TRANSMITTED, REPRODUCED, USED OR DISCLOSED TO ANYONE WITHOUT THE WRITTEN PERMISSION OF THE DEUBLIN COMPANY.

EQUIPMENT REF:		SIZE	3-4	REV	D
ASSY/TEST FEATURES REQUIRED:		DATE	09/04/02		
UNTOLERANCED DIMENSIONS $\pm .010$ DECIMALS AS SPECIFIED. DIMENSIONS IN [] ARE IN MILLIMETERS.		DEUBLIN COMPANY WAUKEGAN, ILLINOIS, U.S.A. INTERFACE CONTROL DRAWING FOR UNION 6250-002-115 6250-002-115-IC			
LET.	REVISION	EOO	DATE	BY	CHK