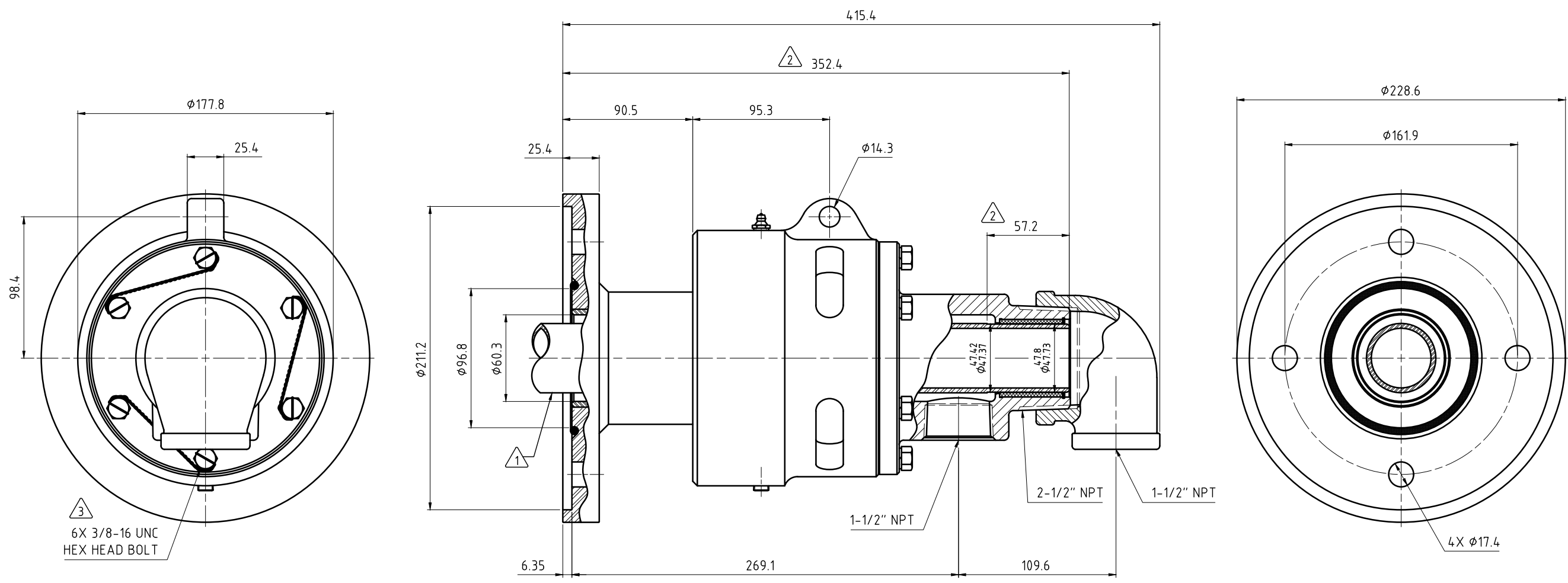


CONFIDENTIAL  
 THIS DOCUMENT CONTAINS CONFIDENTIAL AND PROPRIETARY  
 INFORMATION OF DEUBLIN COMPANY. COPYING, USE,  
 TRANSMISSION, DISTRIBUTION, AND DISCLOSURE ARE SUBJECT  
 TO THE TERMS AND CONDITIONS CONTAINED IN YOUR  
 AGREEMENT WITH DEUBLIN COMPANY. ALL RIGHTS RESERVED.

NOTES:

- ① - PIPE SUPPLIED BY CUSTOMER. PIPE SIZE: 1 1/2
- ② - PIPE LENGTH.
- ③ - TORQUE TO 34Nm +/- 7Nm.



③  
 6X 3/8-16 UNC  
 HEX HEAD BOLT

OPERATING DATA		
MEDIA	WATER	
MAX WATER PRESSURE	150 PSI	10 bar
MAX WATER TEMP.	275°F	135°C
MAX SPEED	750 RPM	750/min

		PROJECTION: 	SCALE: 1:2 MATERIAL: INTERFACE CONTROL DRAWING
		DATE: 05/02/11 NAME: N. Reyna	TITLE: <b>DEUBLIN UNION</b>
		ENGR. 05/02/11 NAME: S. Stasi	
		APPD.	NO. <b>6250-674-300</b>
A ISSUE	REMOVED FLOW RATE MODIFICATION	013867 ECO	05/11 DATE
		NR SIGN	UNLESS SPECIFICALLY TOLERANCED, ALL DIMENSIONS ARE CONSIDERED REFERENCE
			SHEET A2