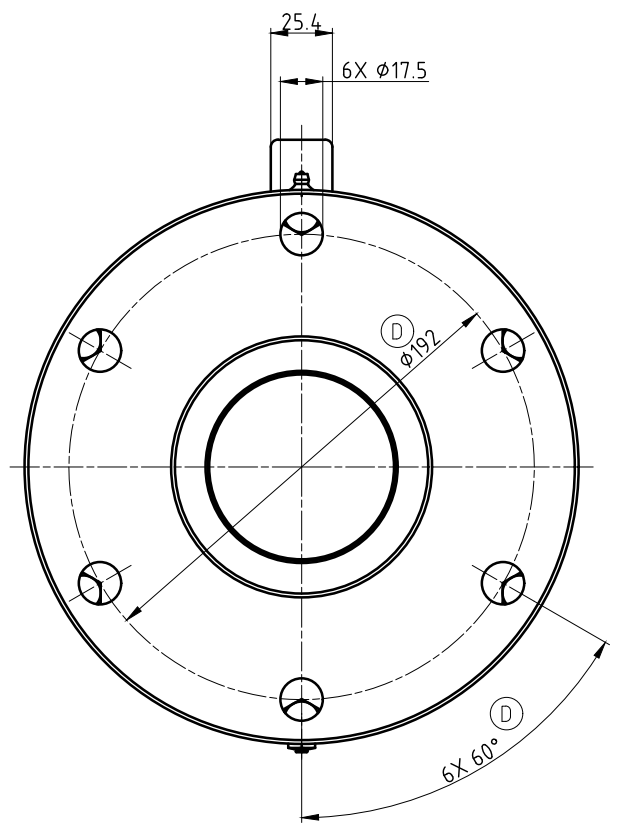
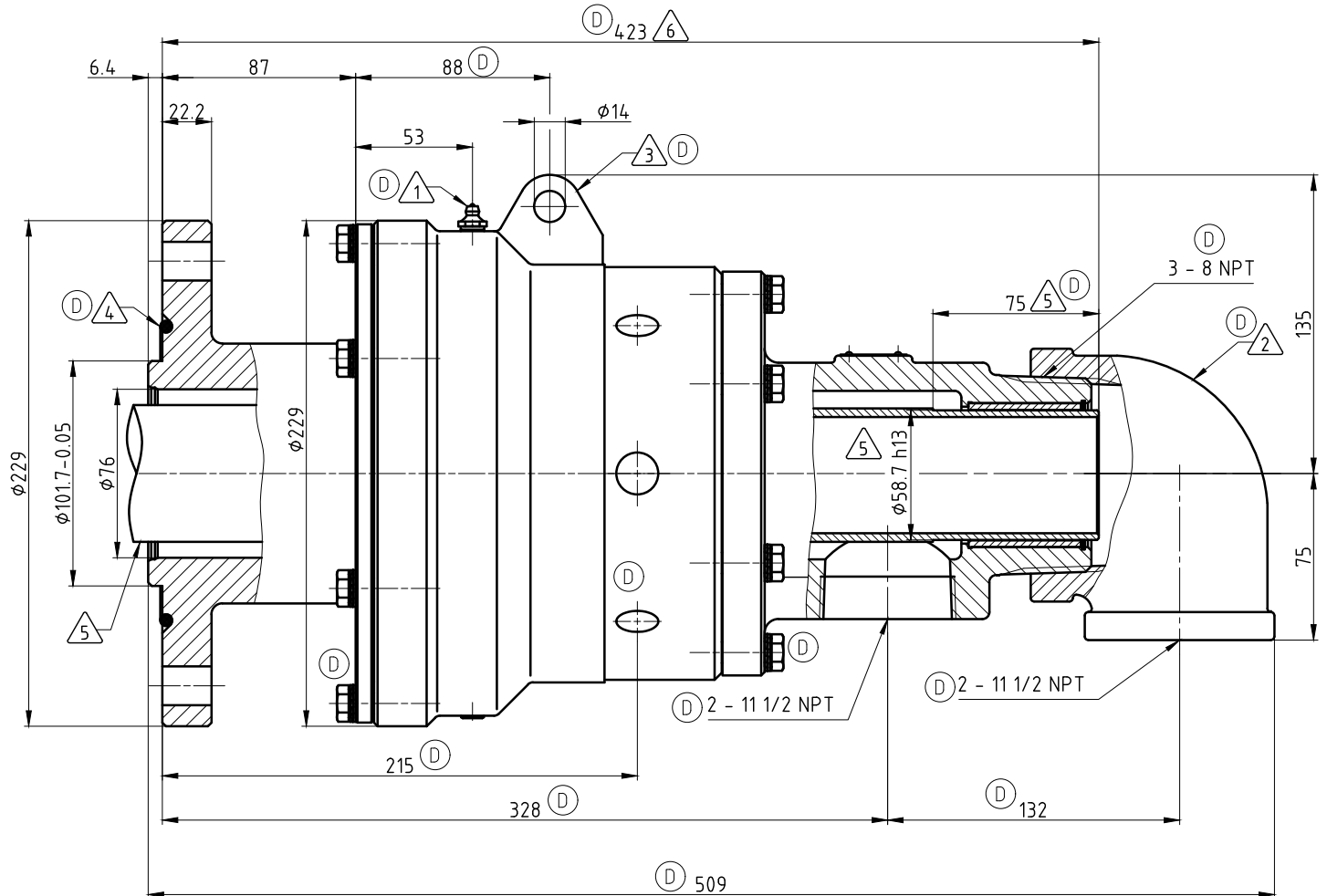
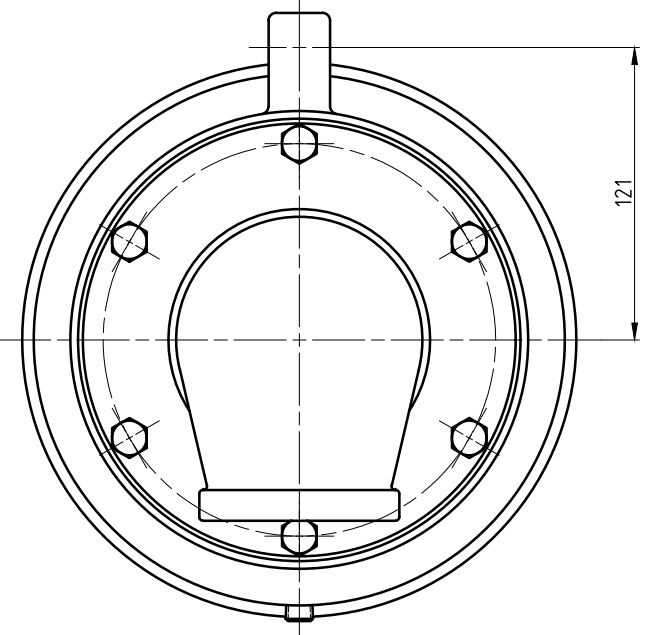


CONFIDENTIAL
 THIS DOCUMENT CONTAINS CONFIDENTIAL AND PROPRIETARY
 INFORMATION OF DEUBLIN COMPANY. COPYING, USE,
 TRANSMISSION, DISTRIBUTION, AND DISCLOSURE ARE SUBJECT
 TO THE TERMS AND CONDITIONS CONTAINED IN YOUR
 AGREEMENT WITH DEUBLIN COMPANY. ALL RIGHTS RESERVED.

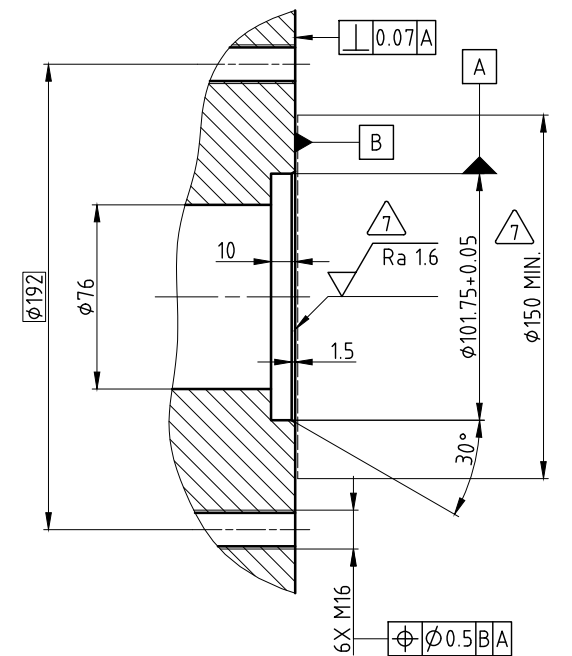
φ58.7	h13	0.000	58.700
Dimen.	Fit	-0.460	58.240

NOTES:

- (D) 1 - CONTACT DEUBLIN OR VISIT WWW.DEUBLIN.COM FOR INSTRUCTION MANUAL: 040-561
- (D) 2 - ELBOW INCLUDED WITH UNION UNASSEMBLED.
- (D) 3 - TORQUE LUG PROVIDED FOR ANTI-ROTATION. DO NOT RESTRICT MOVEMENT OF UNION.
- (D) 4 - O-RING SIZE: 2-353
SUGGESTED O-RING MATERIAL: FKM
- (D) 5 - PIPE SUPPLIED BY CUSTOMER. PIPE SIZE: 2"
- (D) 6 - PIPE LENGTH.
- (D) 7 - SURFACE FINISH APPLIES WITHIN INDICATED AREA ONLY.

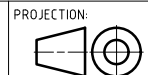


CUSTOMER INTERFACE (D)



OPERATING DATA

MEDIA	WATER
PRESSURE MAX.	10 bar
SPEED MAX.	750 min ⁻¹
TEMPERATURE MAX.	121 °C
DRY RUN (WITHOUT ANY MEDIA)	NO
RECOMMENDED FILTRATION	60 micron
FLOW MAX	681 L/min
TORQUE	10.9 Nm



SCALE: 1:2
 MATERIAL: INTERFACE CONTROL DRAWING

ISSUE	MODIFICATION	ECO	DATE	SIGN	DATE	NAME
D	SEE CD	62551	07/22	MTS	20.07.01	Ch. Wolf
C	Updated Border	056519	05/20	RM	20.07.01	H.J. Huhn
B	ADD FLOW	005715	4.28.09	LG		
a	seal cartridge removed	070800	8.03.07	Schmid		

TITLE: DEUBLIN ROTATING UNION
 DEUBLIN Drehdurchführung
 NO. 6300-002-103
 SHEET A2

UNLESS SPECIFICALLY TOLERANCED, ALL DIMENSIONS ARE CONSIDERED REFERENCE