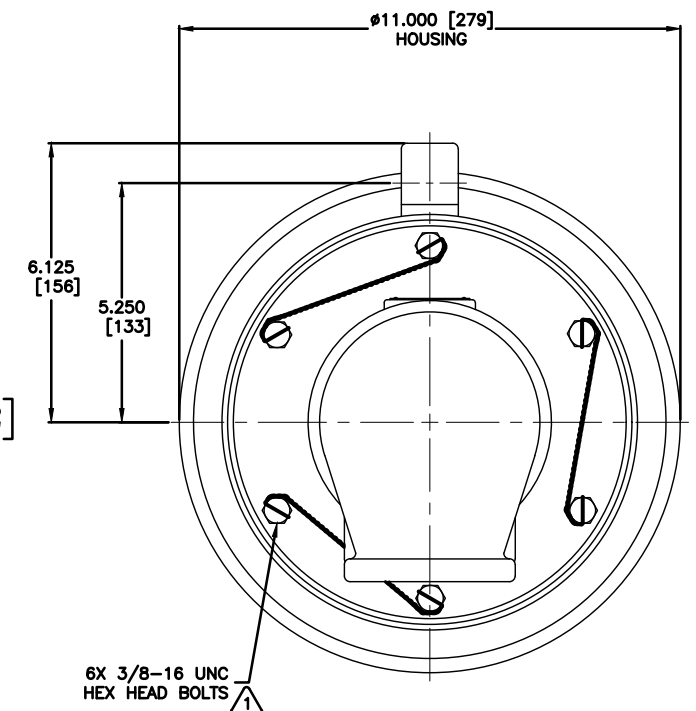
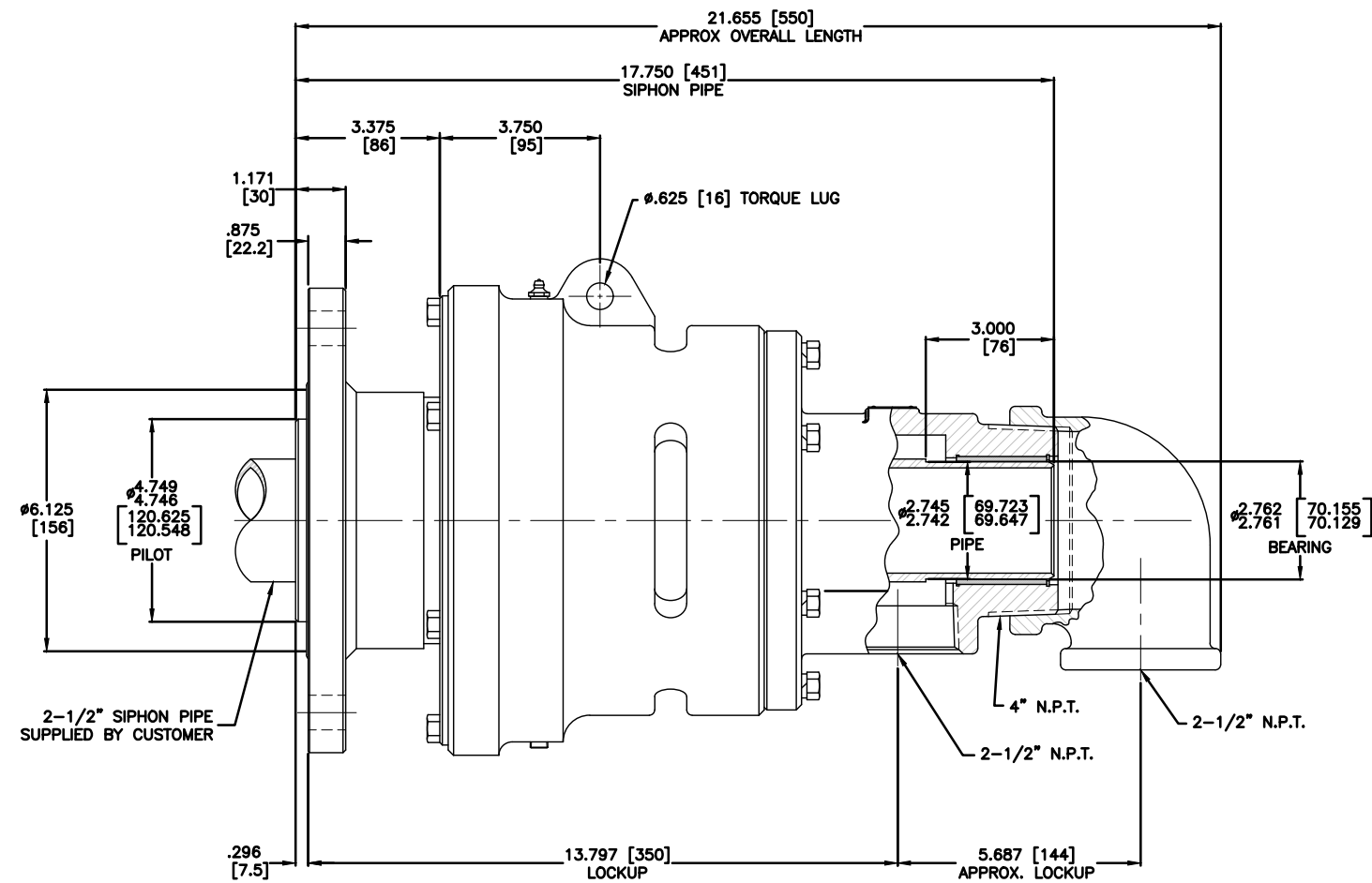
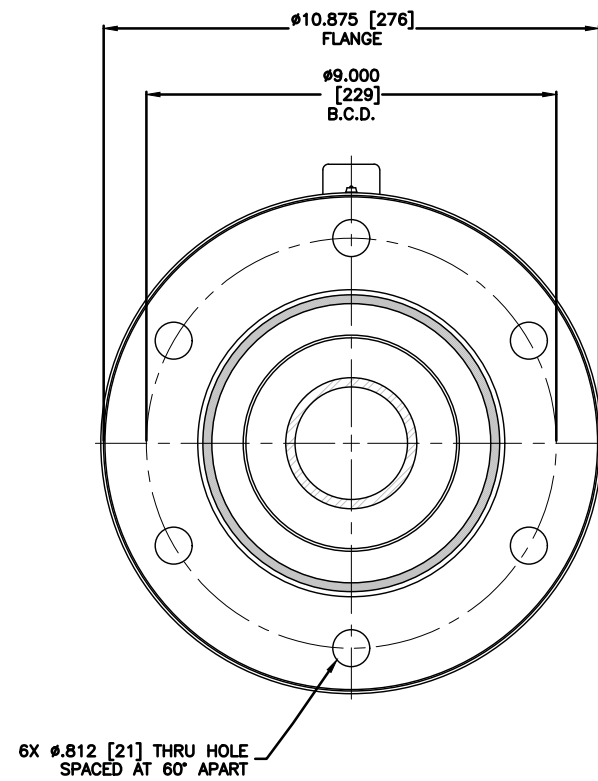
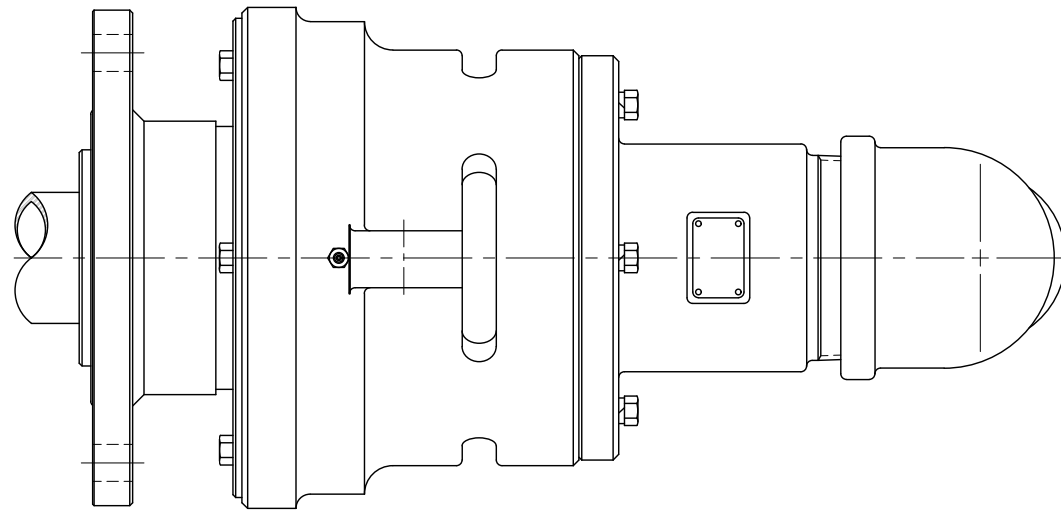


NOTES:
 ⚠ - TORQUE BOLTS TO 20-30 FT-LBS (27-41 Nm) AND SAFETY WIRE.
 2 - WHEN ORDERING FROM DEUBLIN USE PART NUMBER 6400-031-330.

OPERATING DATA:
 WATER SERVICE
 150 P.S.I.(10 BAR) MAX.
 750 R.P.M.(750/MIN) MAX.
 250°F.(121°C) MAX.
 TORQUE AT 150 P.S.I.=10 FT.LBS.
 FLOW RATE = 300 GPM



CONFIDENTIAL
 THIS DOCUMENT CONTAINS PROPRIETARY INFORMATION AND IS NOT TO BE TRANSMITTED, REPRODUCED, USED OR DISCLOSED TO ANYONE WITHOUT THE WRITTEN PERMISSION OF THE DEUBLIN COMPANY.

EQUIPMENT REF:		SIZE 12	REV D
ASSY/TEST FEATURES REQUIRED:		DATE MS	10/17/01
UNTOLERANCED DIMENSIONS ±.010 DECIMALS AS SPECIFIED. DIMENSIONS IN [] ARE IN MILLIMETERS.		DEUBLIN COMPANY WAUKEGAN, ILLINOIS, U.S.A. WILD INTERFACE CONTROL DRAWING FOR UNION 6400-031-330 6400-031-330-IC	
LET	REVISION	EOO	DATE SHN