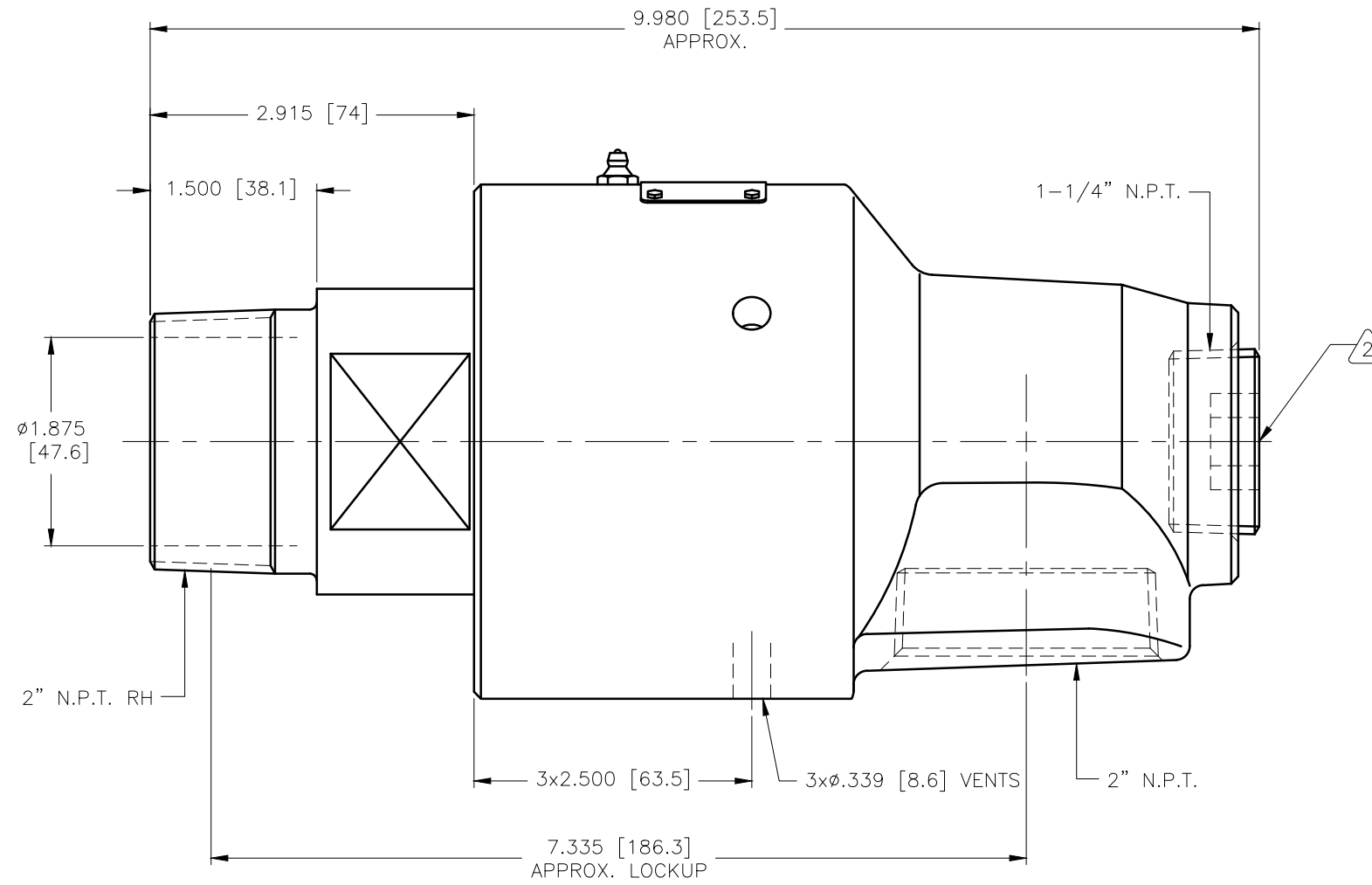
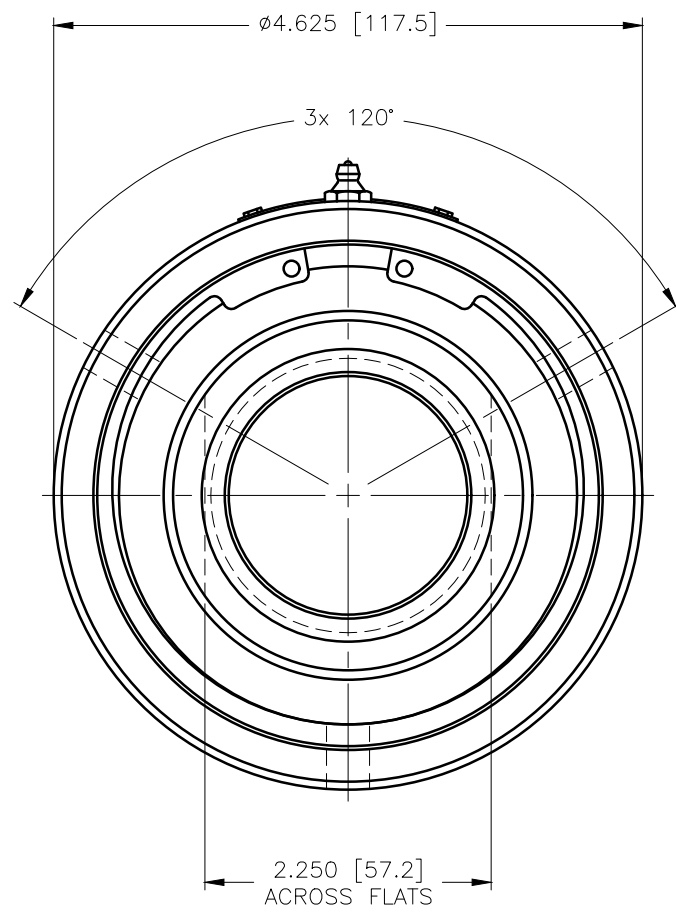


NOTES:

- 1 - WHEN ORDERING FROM DEUBLIN USE PART NUMBER: 655-500-116. (B)
- 2 - PLUG INSTALLED HAND TIGHT FROM FACTORY. IF PORT IS NOT UTILIZED, TIGHTEN BEFORE USE. (A)



CONFIDENTIAL
 THIS DOCUMENT CONTAINS PROPRIETARY INFORMATION AND IS NOT TO BE TRANSMITTED, REPRODUCED, USED OR DISCLOSED TO ANYONE WITHOUT THE WRITTEN PERMISSION OF THE DEUBLIN COMPANY.

LET.	REVISION	ECO	DATE	SIGN
B	INCORRECTLY WRITTEN 655-800-116		02/03	RM
A	ADDED PIPE PLUG NOTE		08/02	RM

EQUIPMENT REF:

ASSY/TEST FIXTURES REQUIRED:

SCALE	FULL	DWG SIZE	C
DRN	GA	03/26/02	
ENGR			
APPD			

UNLESS OTHERWISE SPECIFIED TOLERANCES ± 0.010 . DIMENSIONS IN [] ARE IN MILLIMETERS.

DEUBLIN COMPANY
 WAUKEGAN, ILLINOIS, U.S.A.

TITLE: INTERFACE CONTROL DRAWING FOR UNION 655-500-116

NO. 655-500-116-IC C.A.D. DRAWING