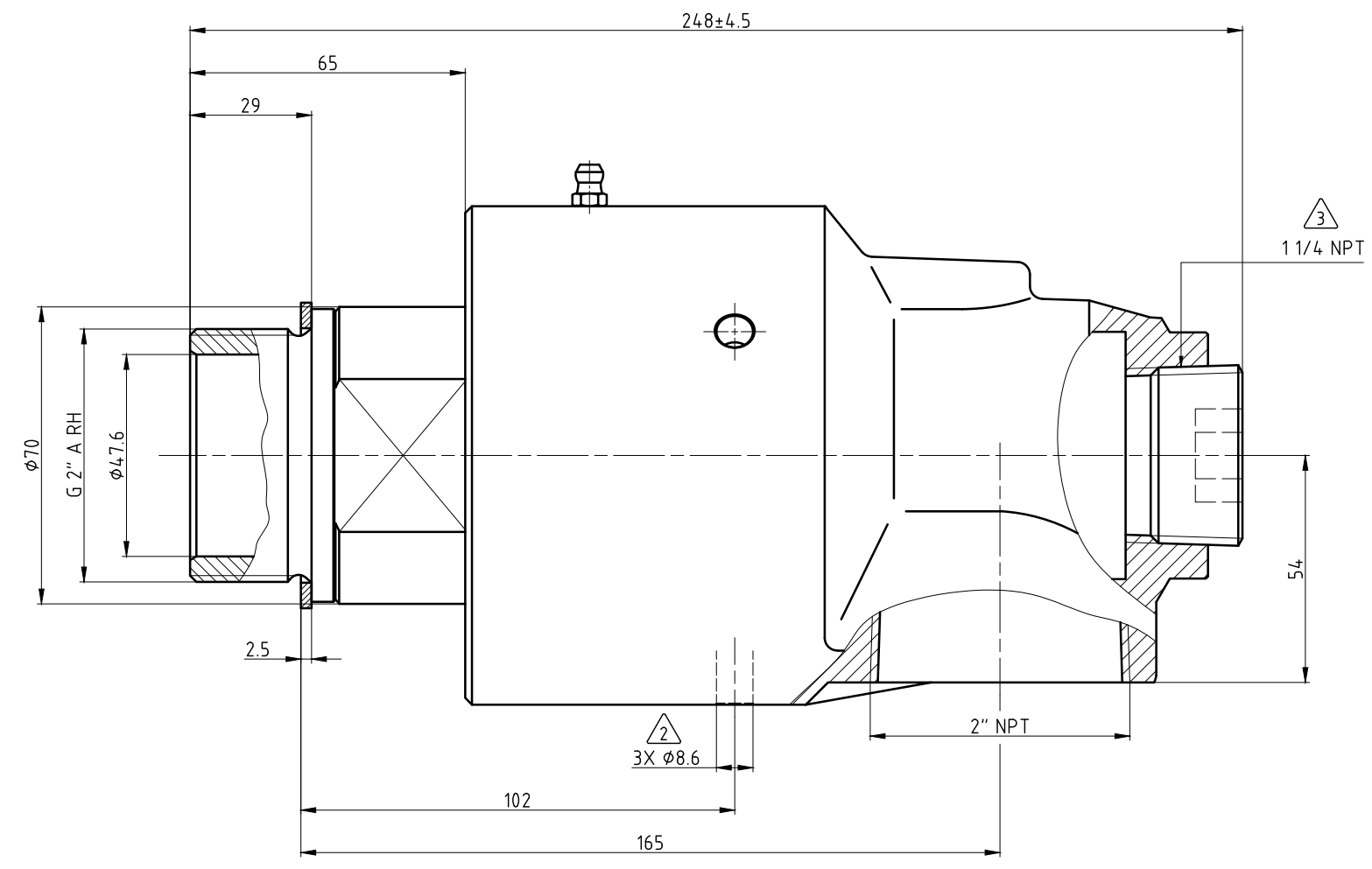
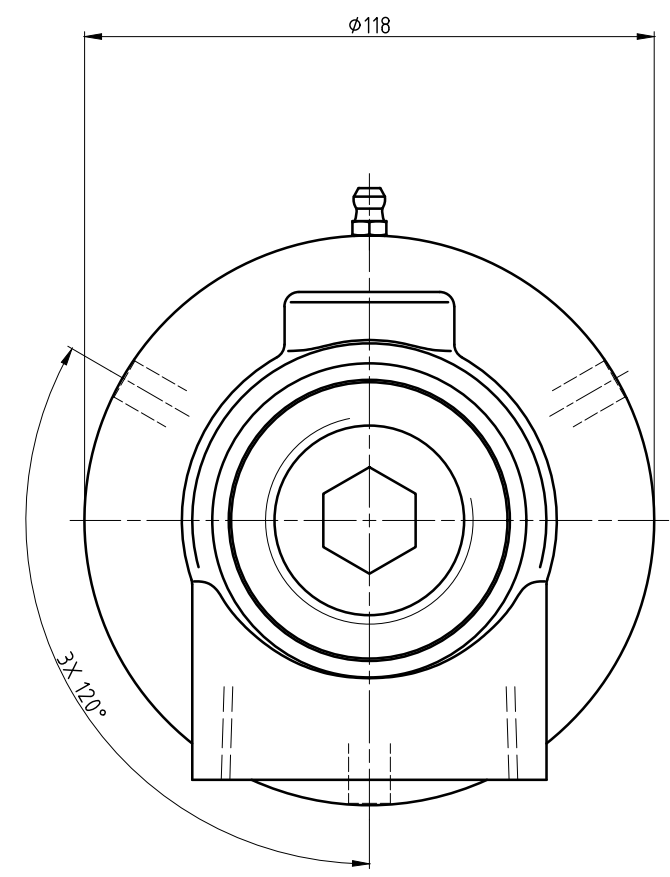


CONFIDENTIAL
 THIS DOCUMENT CONTAINS CONFIDENTIAL AND PROPRIETARY
 INFORMATION OF DEUBLIN COMPANY. COPYING, USE,
 TRANSMISSION, DISTRIBUTION, AND DISCLOSURE ARE SUBJECT
 TO THE TERMS AND CONDITIONS CONTAINED IN YOUR
 AGREEMENT WITH DEUBLIN COMPANY. ALL RIGHTS RESERVED.

NOTES:

- 1 - USE INSTRUCTION MANUAL 040-550!
- ② - VENT HOLES
- ③ - PLUG INSTALLED HAND TIGHT FROM FACTORY. IF PORT IS NOT UTILIZED, TIGHTEN BEFORE USE.



		PROJECTION:		SCALE: 1:1	
		MATERIAL:		INTERFACE CONTROL DRAWING	
		DATE	NAME	TITLE:	
		DRN. 06/28/2012	abarcar	DEUBLIN UNION	
		ENGR. 06/28/2012	stasis		
		APPD.			
		UNLESS SPECIFICALLY TOLERANCED, ALL DIMENSIONS ARE CONSIDERED REFERENCE		NO. 655-515-124	
ISSUE	MODIFICATION	ECO	DATE	SIGN	SHEET A3