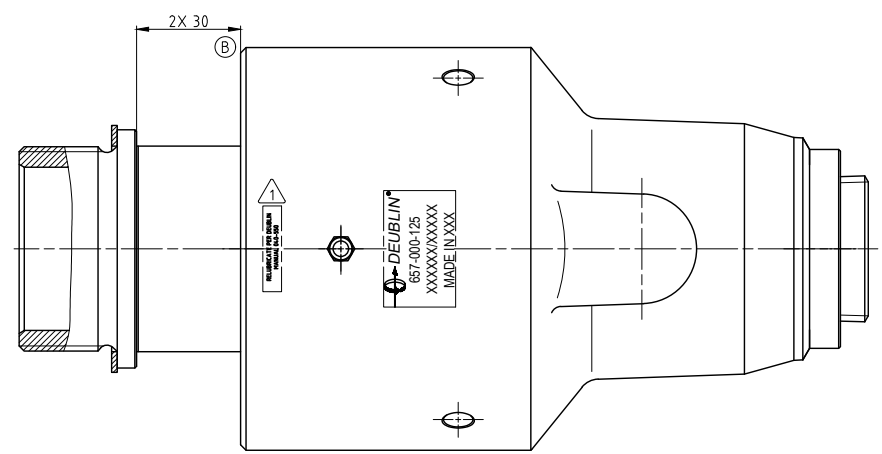
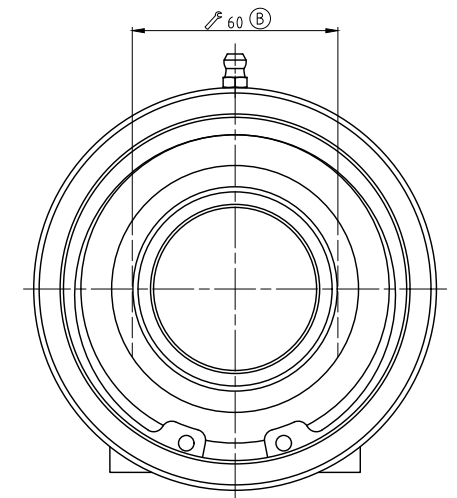
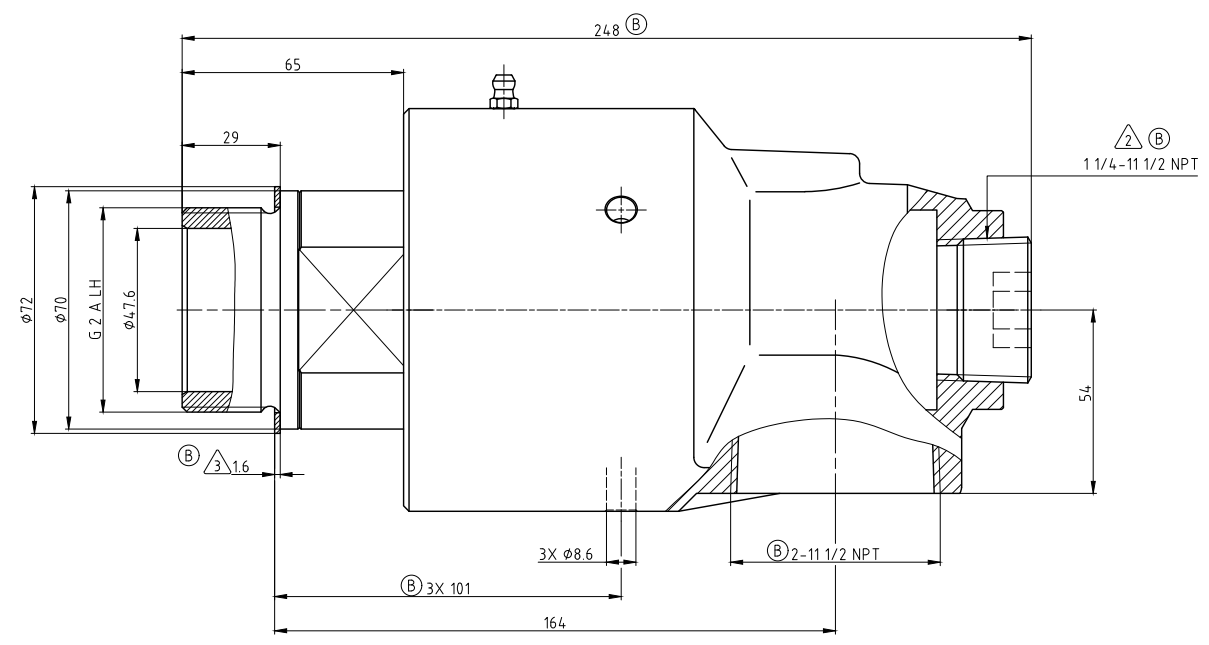
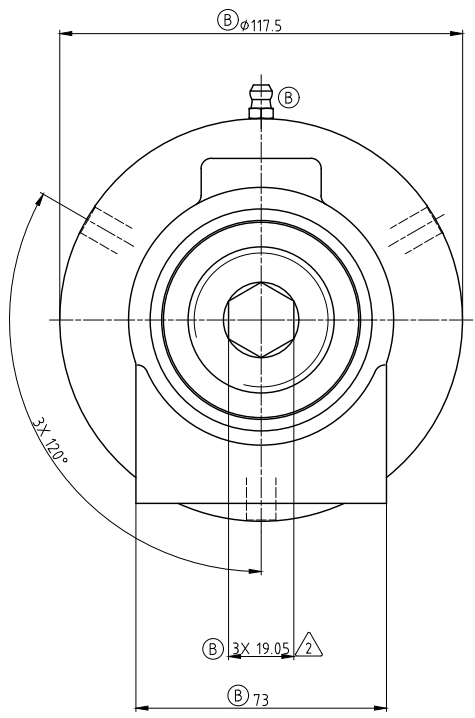


NOTES:  
 △ - CONTACT DEUBLIN OR VISIT WWW.DEUBLIN.COM FOR INSTRUCTION MANUAL: 04.0-550

② - PLUG INSTALLED HAND TIGHT FROM FACTORY. IF PORT IS NOT UTILIZED, TIGHTEN BEFORE USE.

③ - GASKET THICKNESS.



OPERATING DATA			
MEDIA	WATER	SATURATED STEAM (INTERMITTENT)	THERMAL OIL
PRESSURE MAX.	20 bar	1 bar	6.6 bar
SPEED MAX.	750 min <sup>-1</sup>		
TEMPERATURE MAX.	121 °C		
DRY RUN (WITHOUT ANY MEDIA)	NO		
③ RECOMMENDED FILTRATION	60 micron		

		PROJECTION:	SCALE: 1:1
DATE: 02.05.2012		NAME: AF	TITLE: DEUBLIN ROTATING UNION
ENGR: 02.05.2012		NAME: CW	TITLE: DEUBLIN Drehdurchführung
APPD:		NO.:	657-000-125
ISSUE	MODIFICATION	ECO	DATE
UNLESS SPECIFICALLY TOLERANCED, ALL DIMENSIONS ARE CONSIDERED REFERENCE			SHEET A2