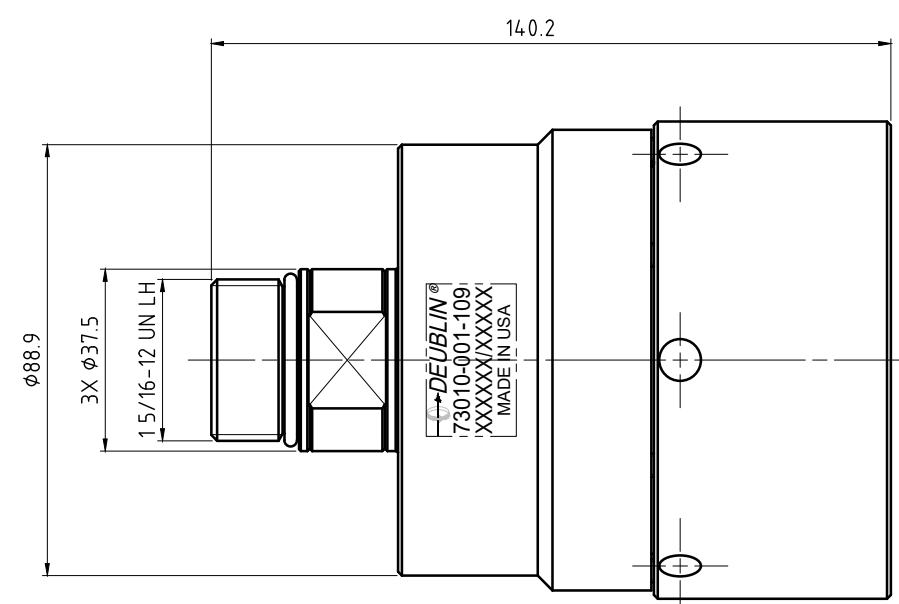
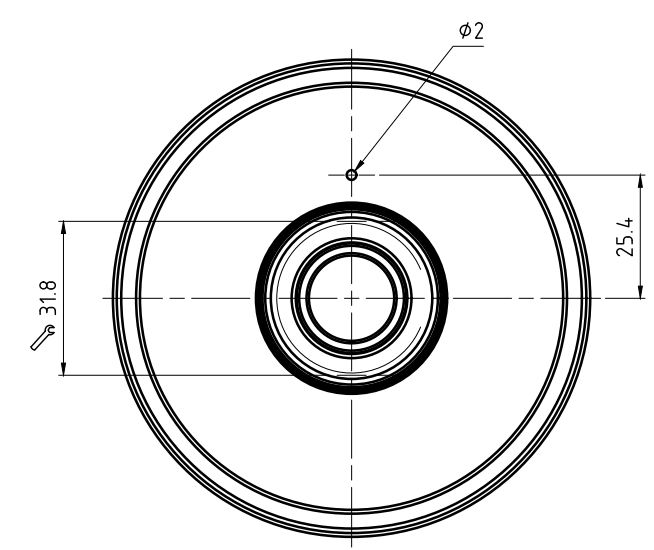
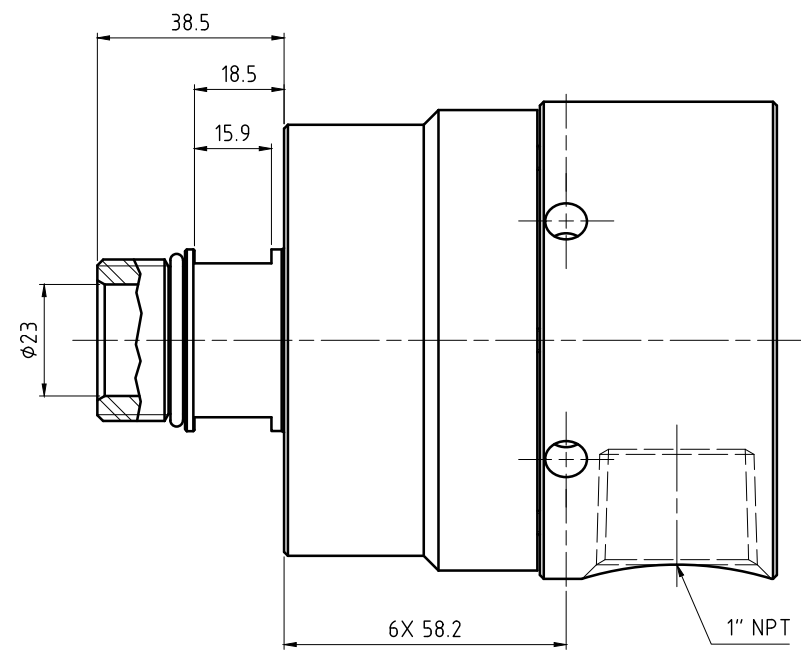
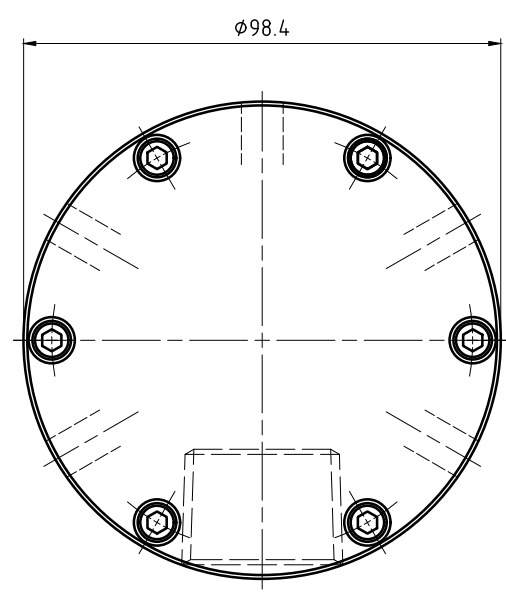


CONFIDENTIAL
 THIS DOCUMENT CONTAINS CONFIDENTIAL AND PROPRIETARY
 INFORMATION OF DEUBLIN COMPANY. COPYING, USE,
 TRANSMISSION, DISTRIBUTION, AND DISCLOSURE ARE SUBJECT
 TO THE TERMS AND CONDITIONS CONTAINED IN YOUR
 AGREEMENT WITH DEUBLIN COMPANY. ALL RIGHTS RESERVED.



OPERATING DATA	
BENTONITE DRILL MUD SERVICE	
MAX WATER PRESSURE	103 bar
MAX SPEED	250/min
MAX FLOW	106 L/min

	PROJECTION:	SCALE: 1:1	MATERIAL: INTERFACE CONTROL DRAWING		
	DATE	NAME	TITLE:		
	DRN. 10/30/17	N. Reyna	DEUBLIN UNION		
	ENGR. 10/30/17	T. Wilson			
	APPD.				
UNLESS SPECIFICALLY TOLERANCED, ALL DIMENSIONS ARE CONSIDERED REFERENCE			NO. 73010-001-109		
ISSUE	MODIFICATION	ECO	DATE	SIGN	SHEET A2