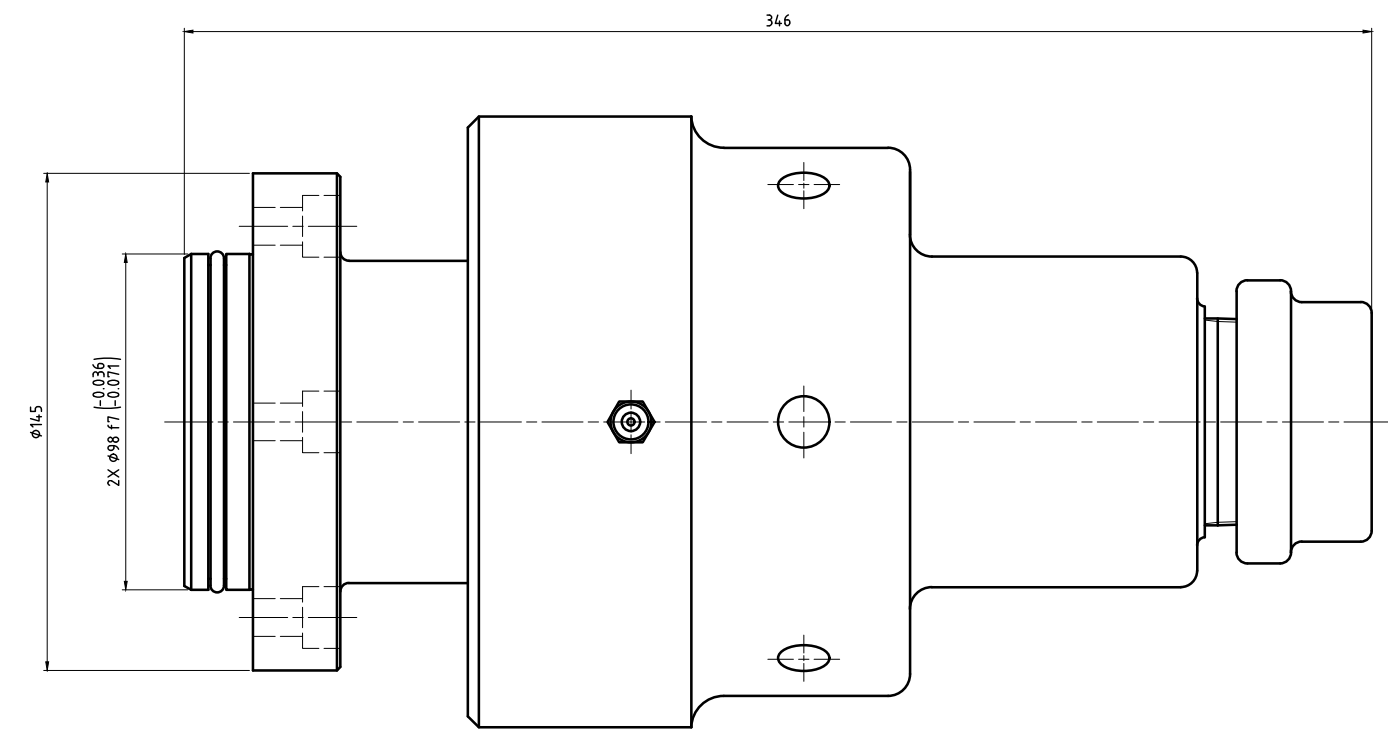
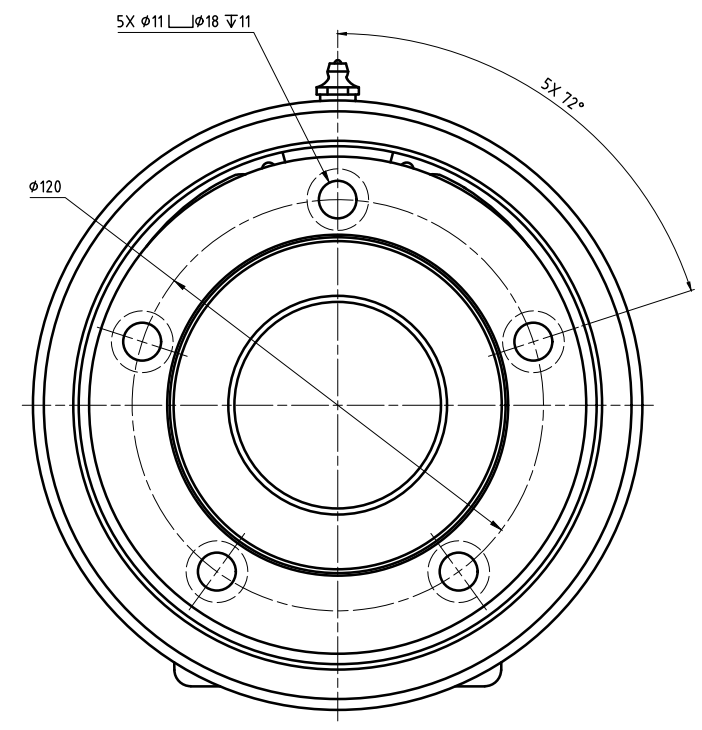
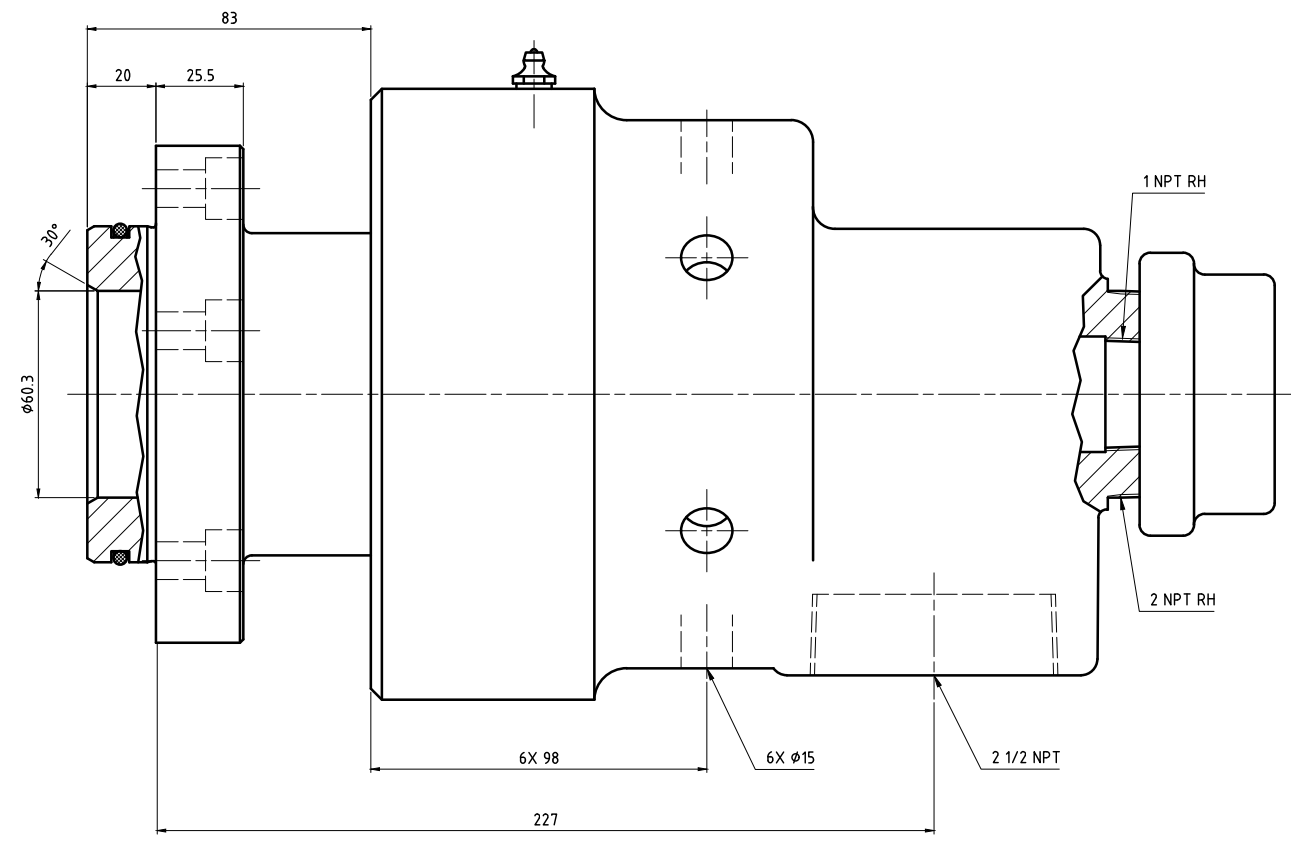
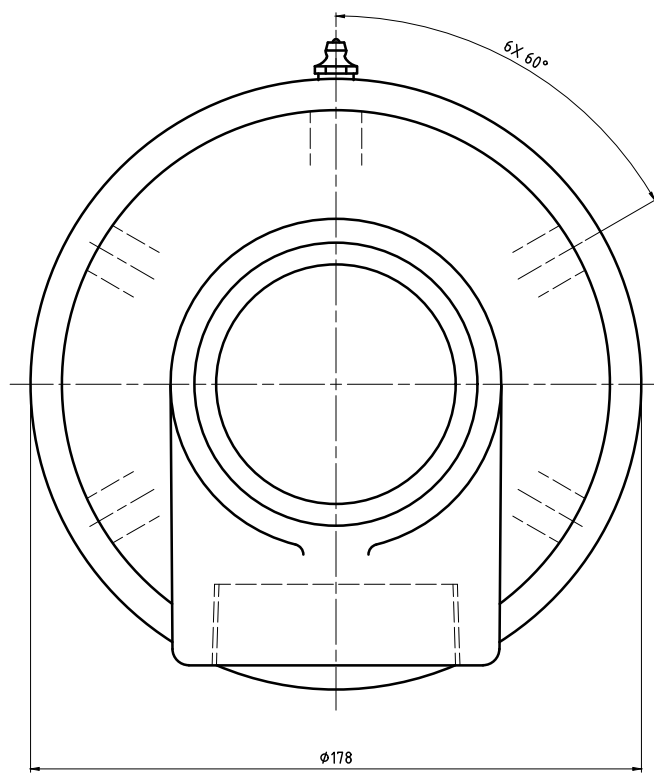




CONFIDENTIAL
 THIS DOCUMENT CONTAINS CONFIDENTIAL AND PROPRIETARY INFORMATION OF DEUBLIN COMPANY. COPYING, REPRODUCTION, DISTRIBUTION, AND DISCLOSURE IN YOUR AGREEMENT WITH DEUBLIN COMPANY. ALL RIGHTS RESERVED.



OPERATING DATA		
MEDIA	WATER/INTERMITTENT STEAM	
MAX WATER PRESSURE	200 PSI	14 bar
MAX STEAM PRESSURE	15 PSI	1 bar
MAX TEMPERATURE	250°F	121°C
MAX SPEED	750 RPM	750/min

		PROJECTION: 	SCALE: 1:1
MATERIAL: INTERFACE CONTROL DRAWING		TITLE: DEUBLIN UNION	
DRN: 11/20/14	NAME: N.Reyna	NO. 755-700-495	
ENGR: 11/20/14	T. Wilson	SHEET A2	
APPD:		UNLESS SPECIFICALLY TOLERANCED, ALL DIMENSIONS ARE CONSIDERED REFERENCE	
ISSUE/	MODIFICATION	ECO	DATE
			SIGN