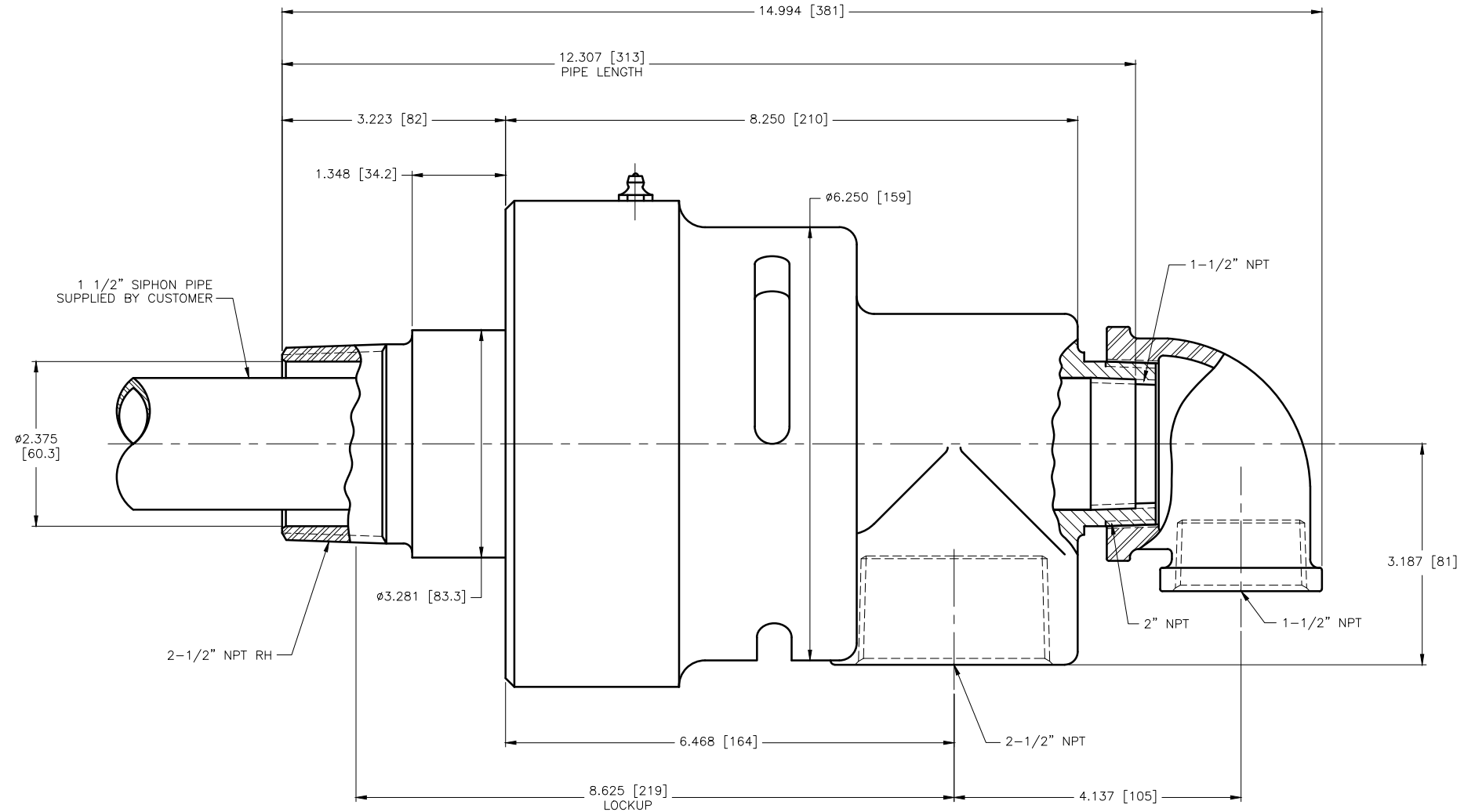
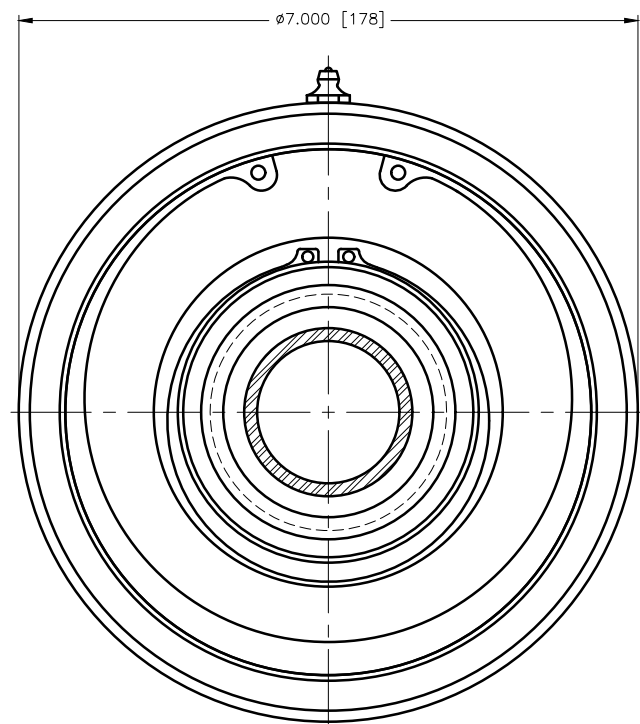


NOTES:

1 - TORQUE AT 120 PSI/8.2 bar IS 4 FT/LBS (5.42 Nm).

CONFIDENTIAL
THIS DOCUMENT CONTAINS CONFIDENTIAL AND PROPRIETARY INFORMATION OF DEUBLIN COMPANY. COPYING, USE, TRANSMISSION, DISTRIBUTION, AND DISCLOSURE ARE SUBJECT TO THE TERMS AND CONDITIONS CONTAINED IN YOUR AGREEMENT WITH DEUBLIN COMPANY. ALL RIGHTS RESERVED.



SCALE	1 = 1	DWG	NO.	755-702-413139
DRN	RM	09/24/03		
ENGR	ARS	09/24/03		
APPD	ARS	09/24/03		
PART NO.	755-702-413139			
CUSTOMER				
LET.	REVISION	ECO	DATE	SIGN

UNLESS SPECIFICALLY TOLERANCED, ALL DIMENSIONS ARE REFERENCE DIMENSIONS IN [] ARE IN MILLIMETERS.

DEUBLIN COMPANY
WAUKEGAN, ILLINOIS, U.S.A.

TITLE: INTERFACE CONTROL
DRAWING OF DEUBLIN
UNION 755-702-413139

DWG NO. 755-702-413139
C.A.D. DRAWING