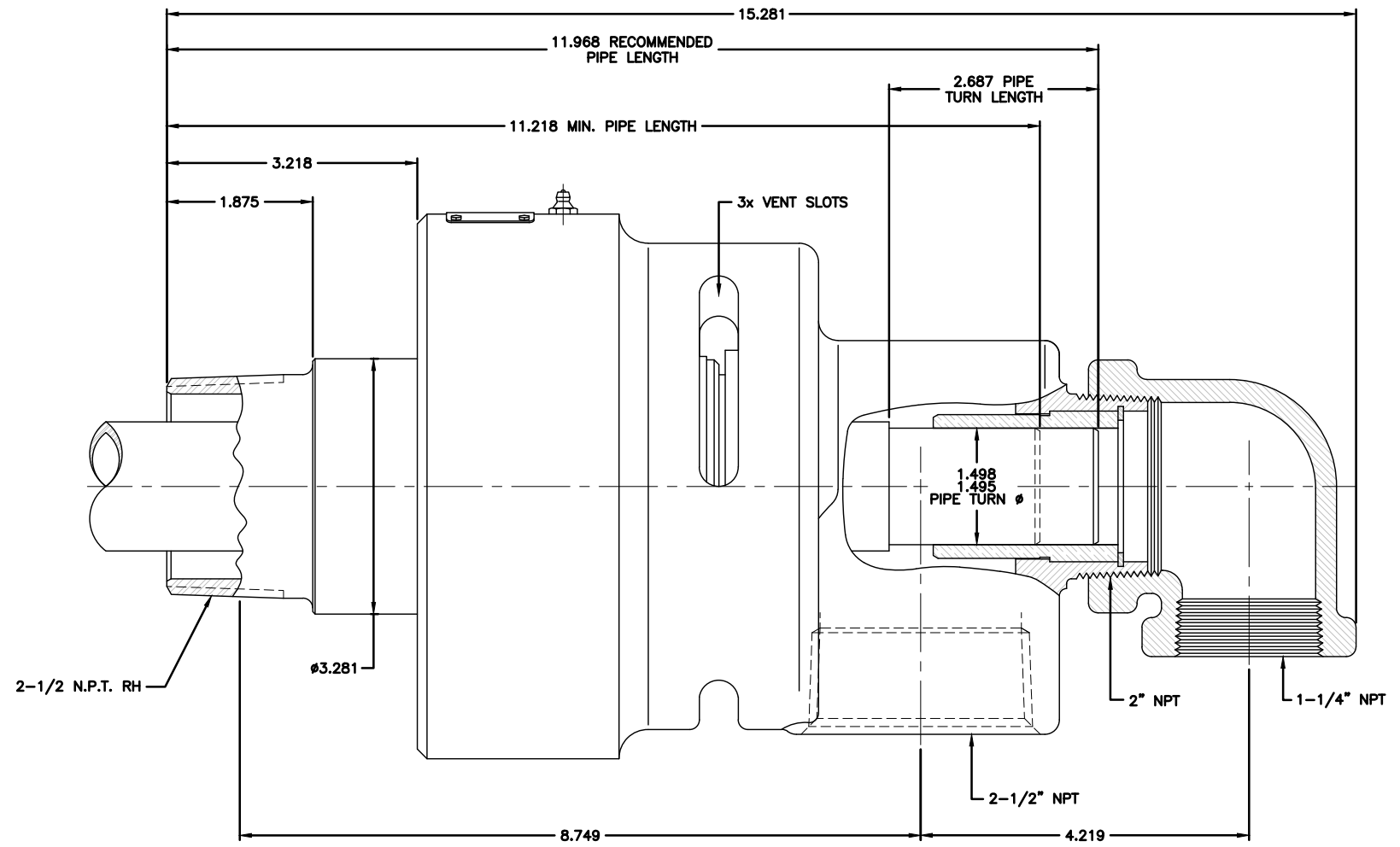
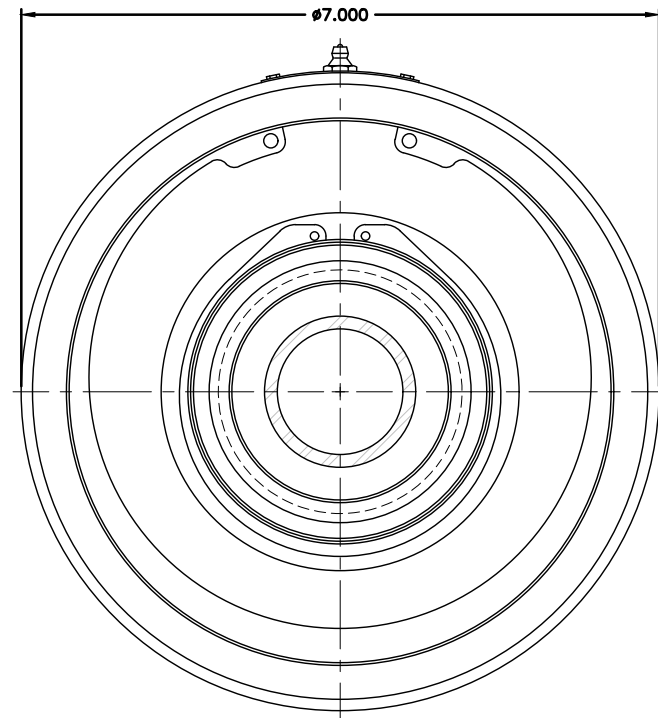


NOTES:
 1 - WHEN ORDERING FROM DEUBLIN USE PART NUMBER: 755-706-413-117.

DWG. NO.
 755-706-413-117-IC



REV	DATE	BY	CHKD	APPD

UNLESS SPECIFICALLY TOLERANCED, ALL DIMENSIONS ARE REFERENCE DIMENSIONS IN [] ARE IN MILLIMETERS.

CONFIDENTIAL
 THIS DOCUMENT CONTAINS CONFIDENTIAL AND PROPRIETARY INFORMATION OF DEUBLIN COMPANY. COPYING, USE, TRANSMISSION, DISTRIBUTION, AND DISCLOSURE ARE SUBJECT TO THE TERMS AND CONDITIONS CONTAINED IN YOUR AGREEMENT WITH DEUBLIN COMPANY. ALL RIGHTS RESERVED.

DEUBLIN COMPANY
 WAUKEGAN, ILLINOIS, U.S.A.

WELD INTERFACE CONTROL
 DRAWING FOR DEUBLIN
 UNION 755-706-413-117

DWG. NO. 755-706-413-117-IC