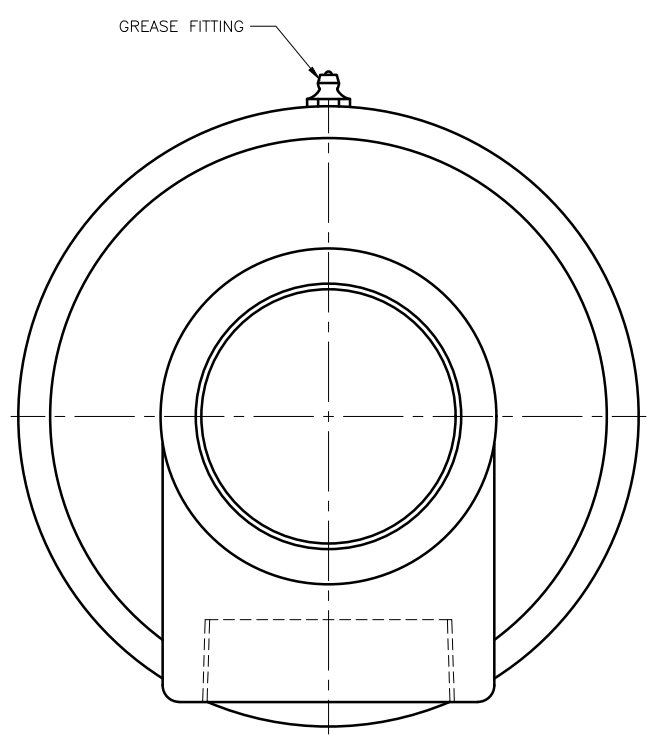
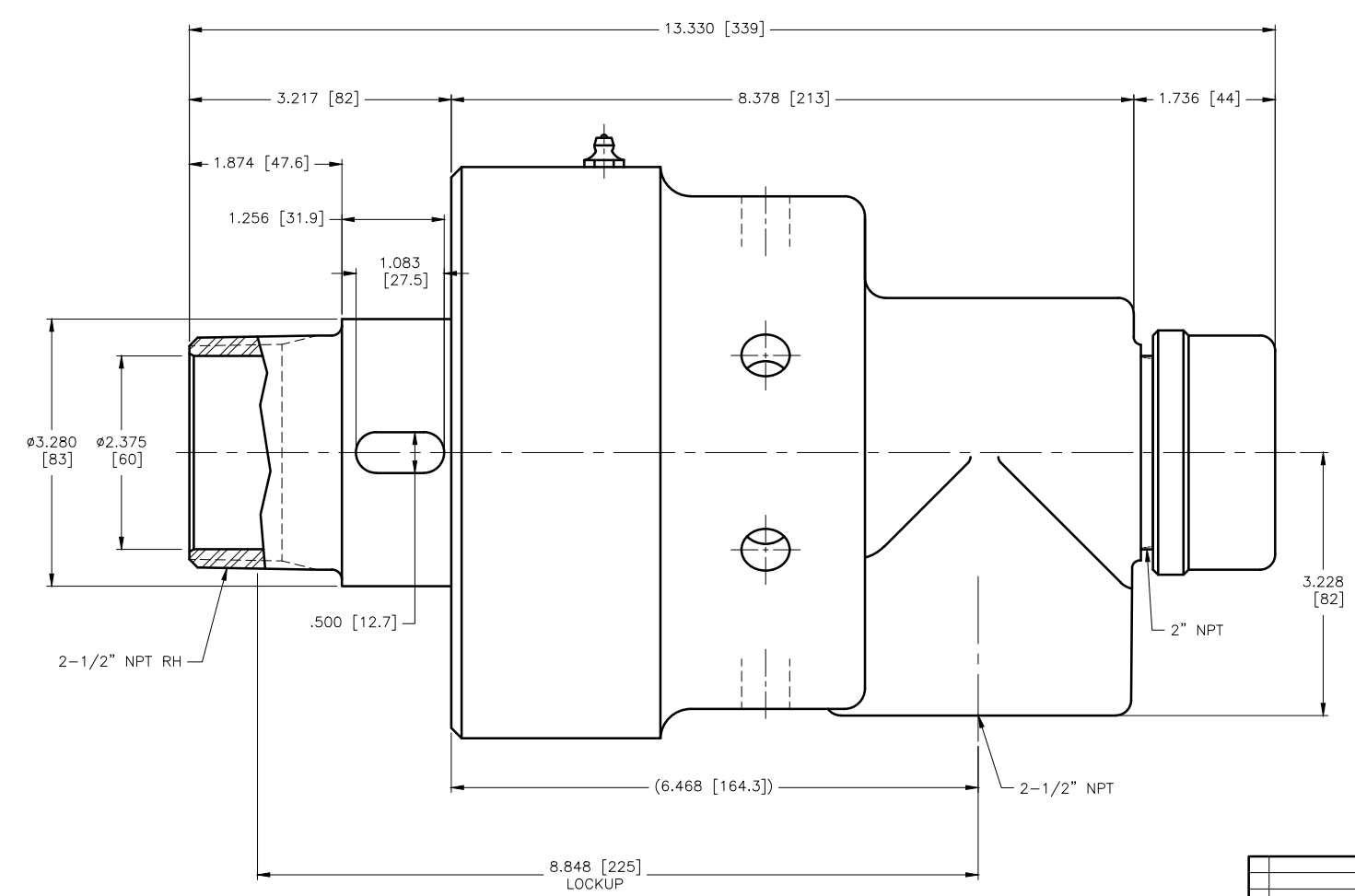
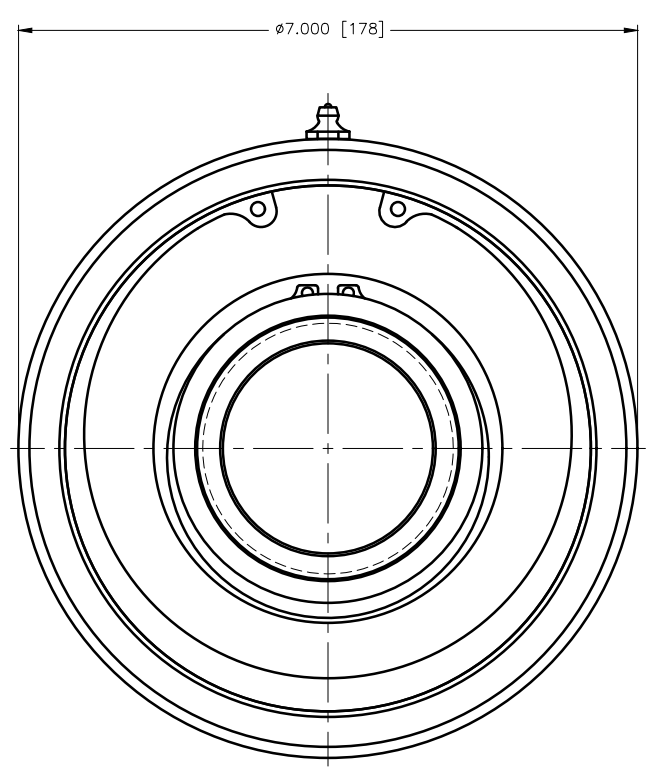
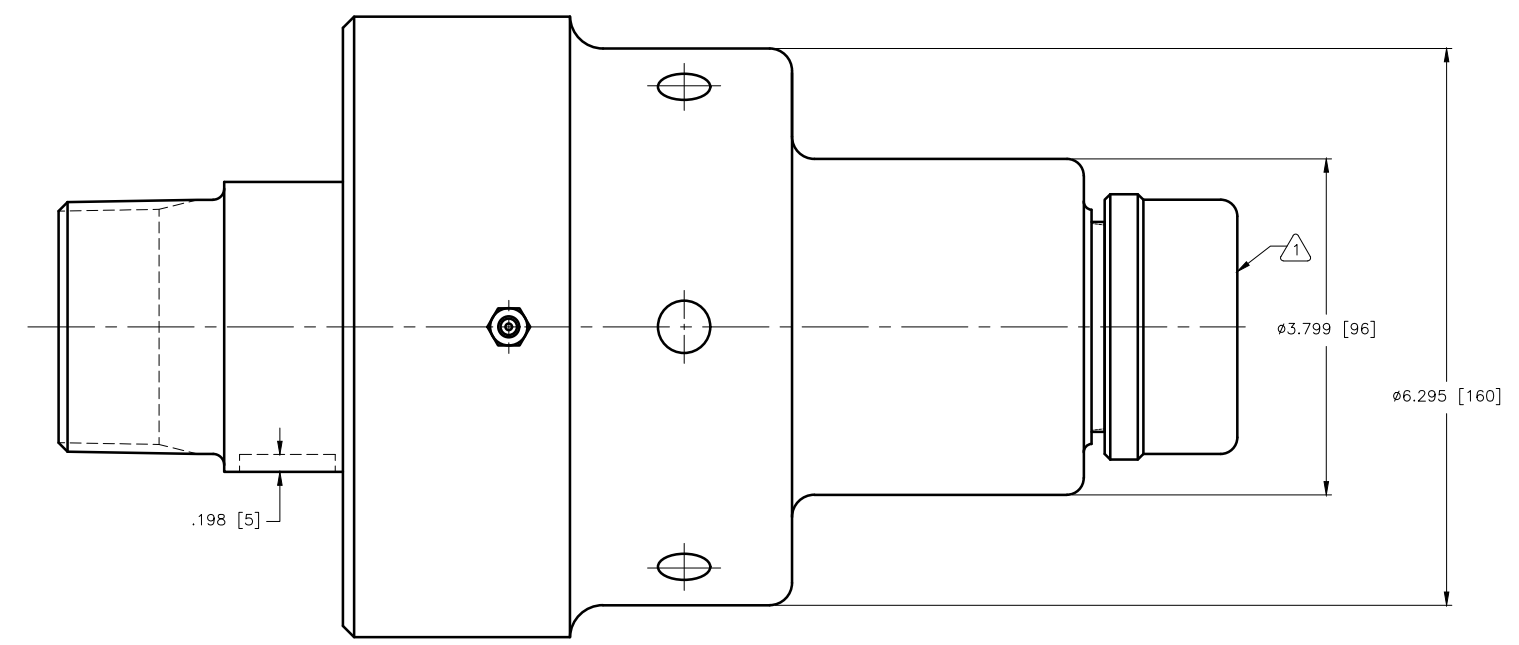


CONFIDENTIAL
 THIS DOCUMENT CONTAINS CONFIDENTIAL AND PROPRIETARY INFORMATION OF DEUBLIN COMPANY. COPYING, USE, TRANSMISSION, DISTRIBUTION, AND DISCLOSURE ARE SUBJECT TO THE TERMS AND CONDITIONS CONTAINED IN YOUR AGREEMENT WITH DEUBLIN COMPANY. ALL RIGHTS RESERVED.

NOTES:
 ⚠ - PLUG INSTALLED HAND TIGHT FROM FACTORY. IF PORT IS NOT UTILIZED, TIGHTEN BEFORE USE.



OPERATING DATA			
MEDIA	WATER/INTERMITTENT STEAM		
MAX WATER PRESSURE	200 PSI	14 bar	
MAX STEAM PRESSURE	15 PSI	1 bar	
MAX TEMPERATURE	250°F	121°C	
MAX SPEED	750 RPM	750/min	

SCALE	1 = 1	UNLESS SPECIFICALLY TOLERANCED, ALL DIMENSIONS ARE REFERENCE DIMENSIONS IN [] ARE IN MILLIMETERS.	DEUBLIN COMPANY WAUKEGAN, ILLINOIS, U.S.A. TITLE: INTERFACE CONTROL DRAWING OF DEUBLIN UNION 755-746-911 DWG NO. 755-746-911	
DRN	NR 03/26/09			
ENGR	TW 03/26/09			
APPD	TW 03/26/09			
PART NO.	755-746-911	CUSTOMER		
LET.	REVISION	ECO	DATE	SIGN