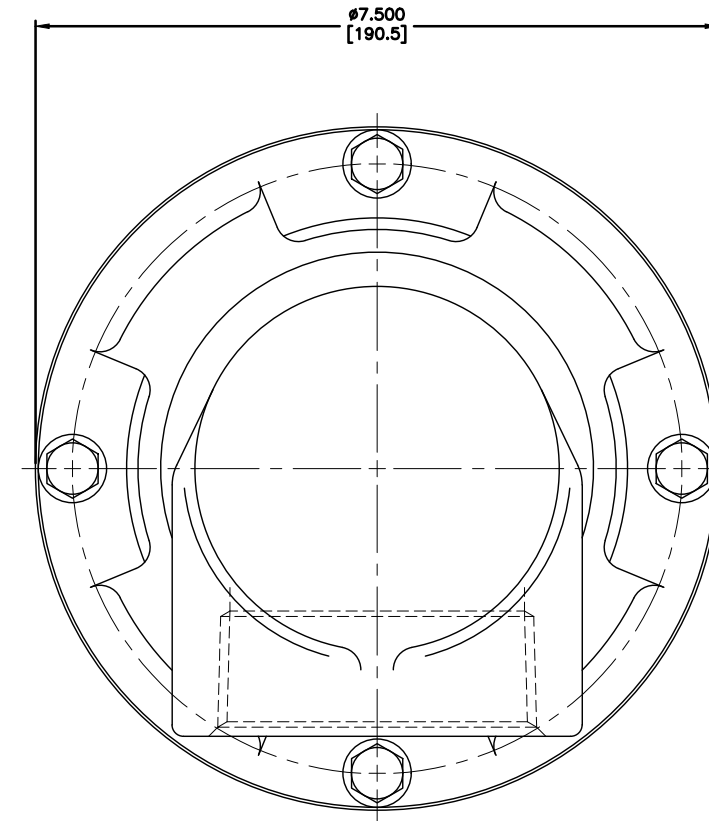
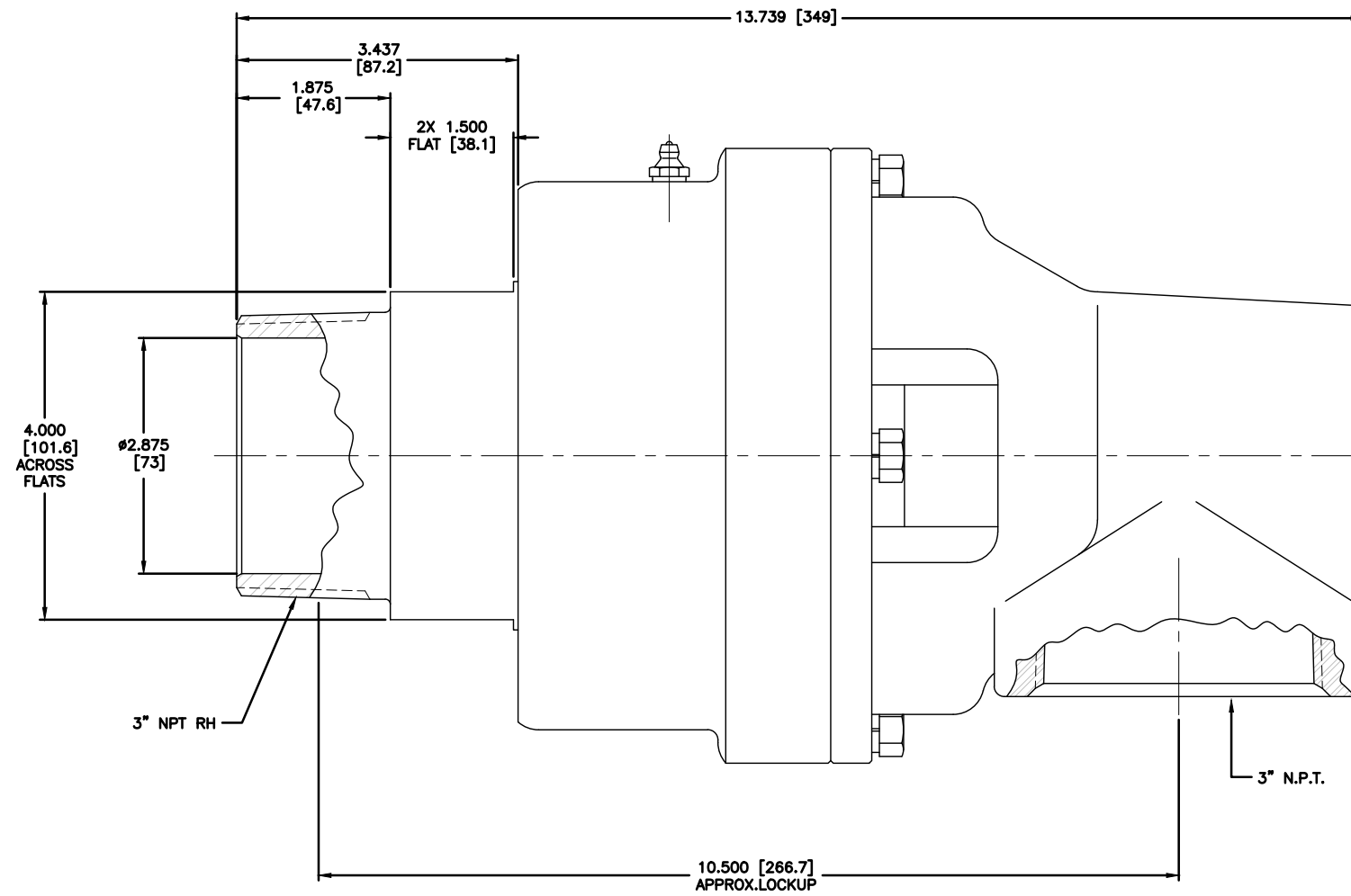


NOTES:  
 1 - WHEN ORDERING FROM DEUBLIN USE PART NUMBER: 857-000-101.

DWG. NO. 857-000-101-IC



OPERATING DATA:

WATER / INTERMITTENT SATURATED STEAM SERVICE  
 150 PSI [10bar] MAX. WATER PRESSURE  
 50 PSI [3.5bar] MAX. INTERMITTENT SATURATED STEAM PRESSURE  
 500 RPM [500/min] MAX. SPEED  
 250°F [120°C] MAX. WATER TEMPERATURE  
 6 ft/lbs. [8.2Nm] TORQUE @ 150 PSI [10bar]

REV	DATE	BY	CHKD	APPD

UNLESS SPECIFICALLY TOLERANCED, ALL DIMENSIONS ARE REFERENCE DIMENSIONS IN [ ] ARE IN MILLIMETERS.

CONFIDENTIAL

THIS DOCUMENT CONTAINS CONFIDENTIAL AND PROPRIETARY INFORMATION OF DEUBLIN COMPANY. COPYING, USE, TRANSMISSION, DISTRIBUTION, AND DISCLOSURE ARE SUBJECT TO THE TERMS AND CONDITIONS CONTAINED IN YOUR AGREEMENT WITH DEUBLIN COMPANY. ALL RIGHTS RESERVED.

**DEUBLIN COMPANY**  
 WAUKEGAN, ILLINOIS, U.S.A.

TITLE: INTERFACE CONTROL  
 DRAWING FOR DEUBLIN UNION 857-000-101  
 DWG. NO. 857-000-101-IC