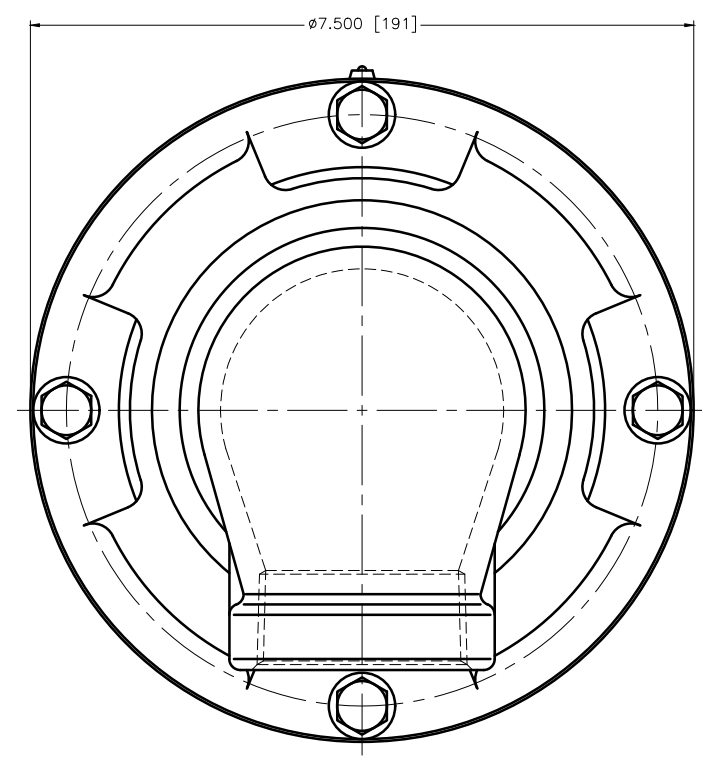
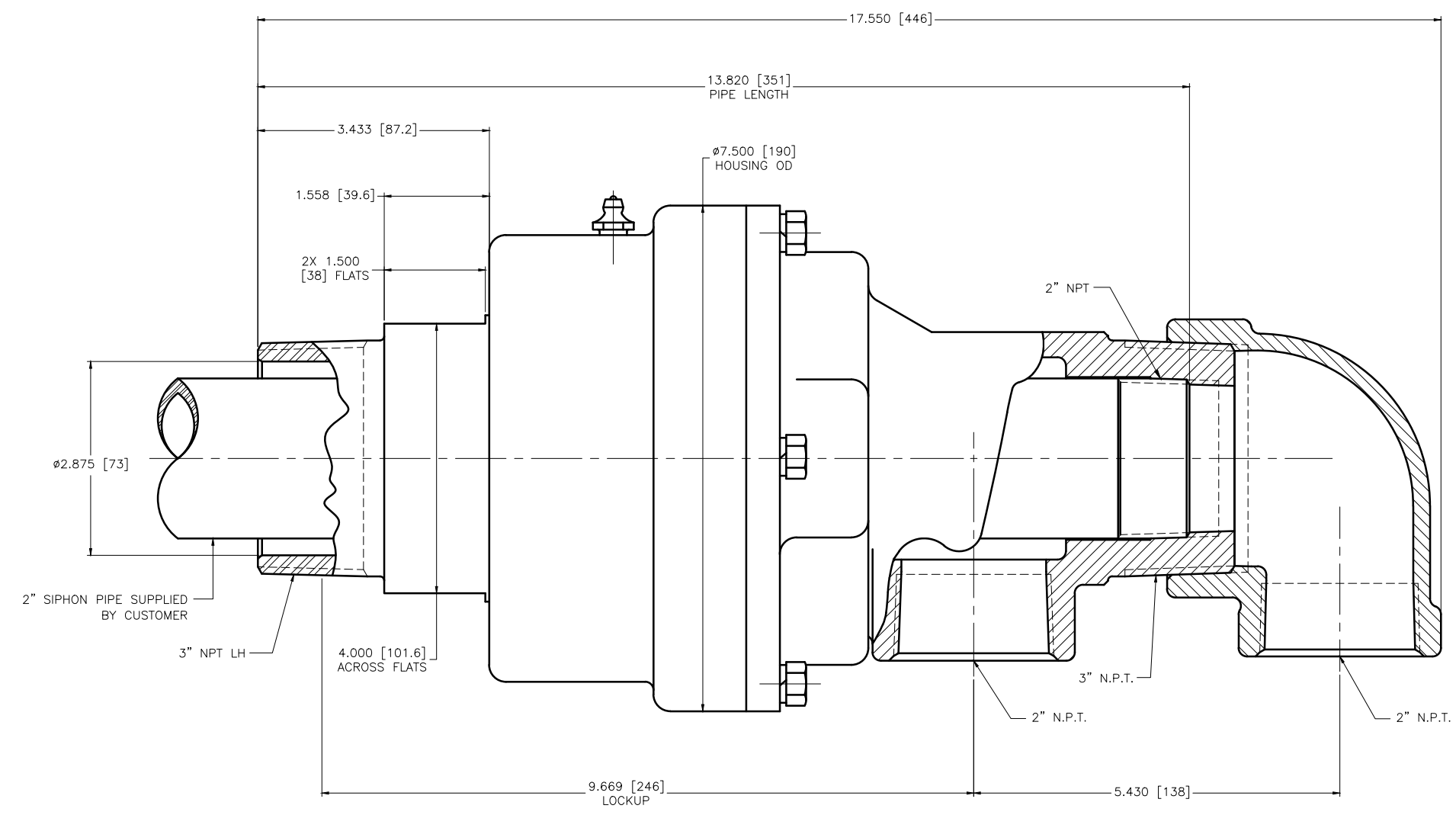


CONFIDENTIAL  
 THIS DOCUMENT CONTAINS CONFIDENTIAL AND PROPRIETARY INFORMATION OF DEUBLIN COMPANY. COPYING, USE, TRANSMISSION, DISTRIBUTION, AND DISCLOSURE ARE SUBJECT TO THE TERMS AND CONDITIONS CONTAINED IN YOUR AGREEMENT WITH DEUBLIN COMPANY. ALL RIGHTS RESERVED.

NOTES:  
 1 - WHEN ORDERING FROM DEUBLIN USE PART NUMBER: 857-001-102.



**OPERATING DATA:**  
 WATER/INTERMITTANT SATURATED STEAM SERVICE  
 150 P.S.I. (10 bar) MAX. WATER PRESSURE  
 50 P.S.I. (3.4 bar) MAX. INTERMITTANT SATURATED STEAM PRESSURE  
 500 R.P.M. (500/MIN) MAX. SPEED  
 250°F (121°C) MAX. TEMPERATURE

SCALE	1 = 1	UNLESS SPECIFICALLY TOLERANCED, ALL DIMENSIONS ARE REFERENCE	DEUBLIN COMPANY WAUKEGAN, ILLINOIS, U.S.A.
DRN	NR 03/07/08	DIMENSIONS IN [ ] ARE IN MILLIMETERS.	
ENGR	TW 03/07/08		TITLE: INTERFACE CONTROL DRAWING OF DEUBLIN UNION 857-001-102
APPD	TW 03/07/08		DWG NO. 857-001-102
PART NO.	857-001-102		
CUSTOMER			
LET.	REVISION	ECO	DATE
			SIGN