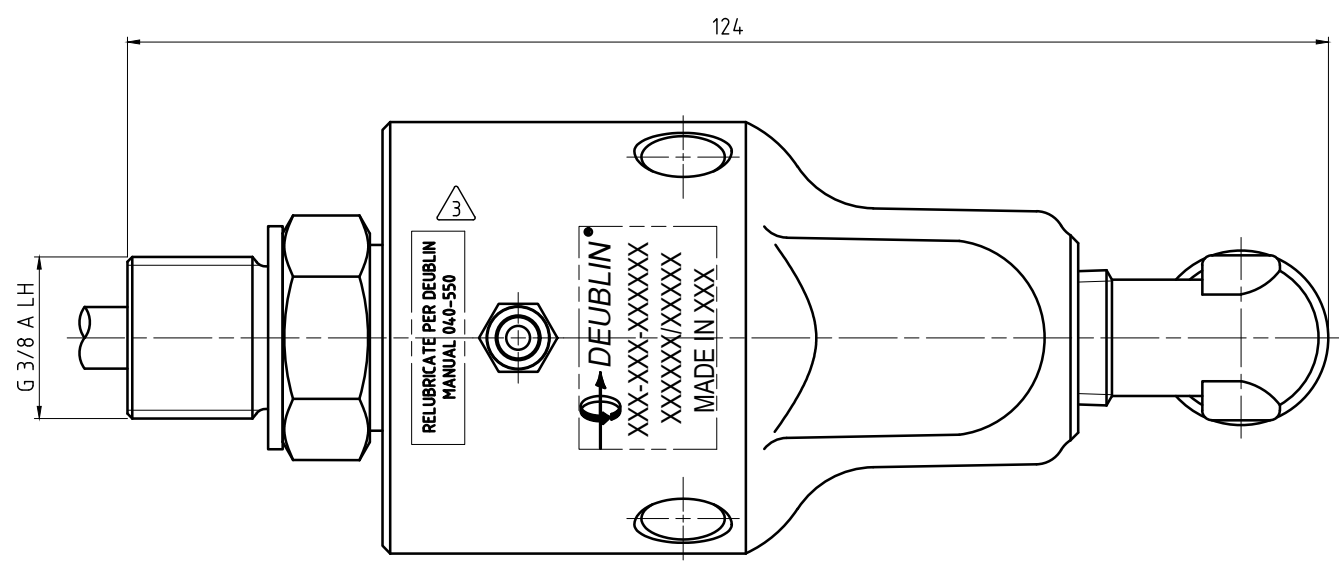
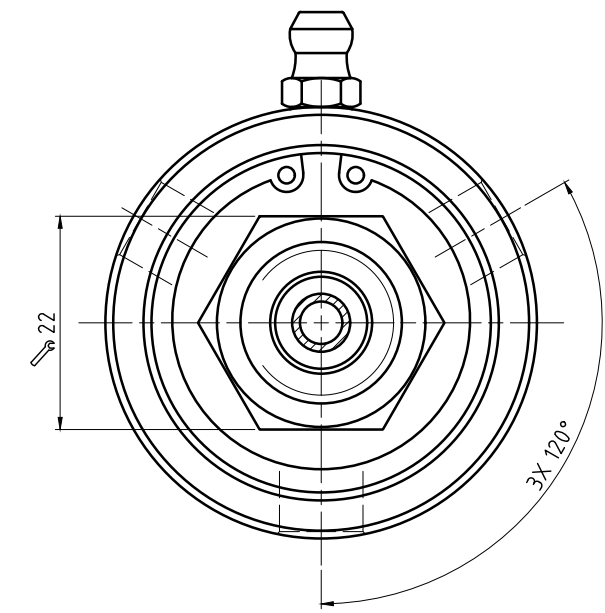
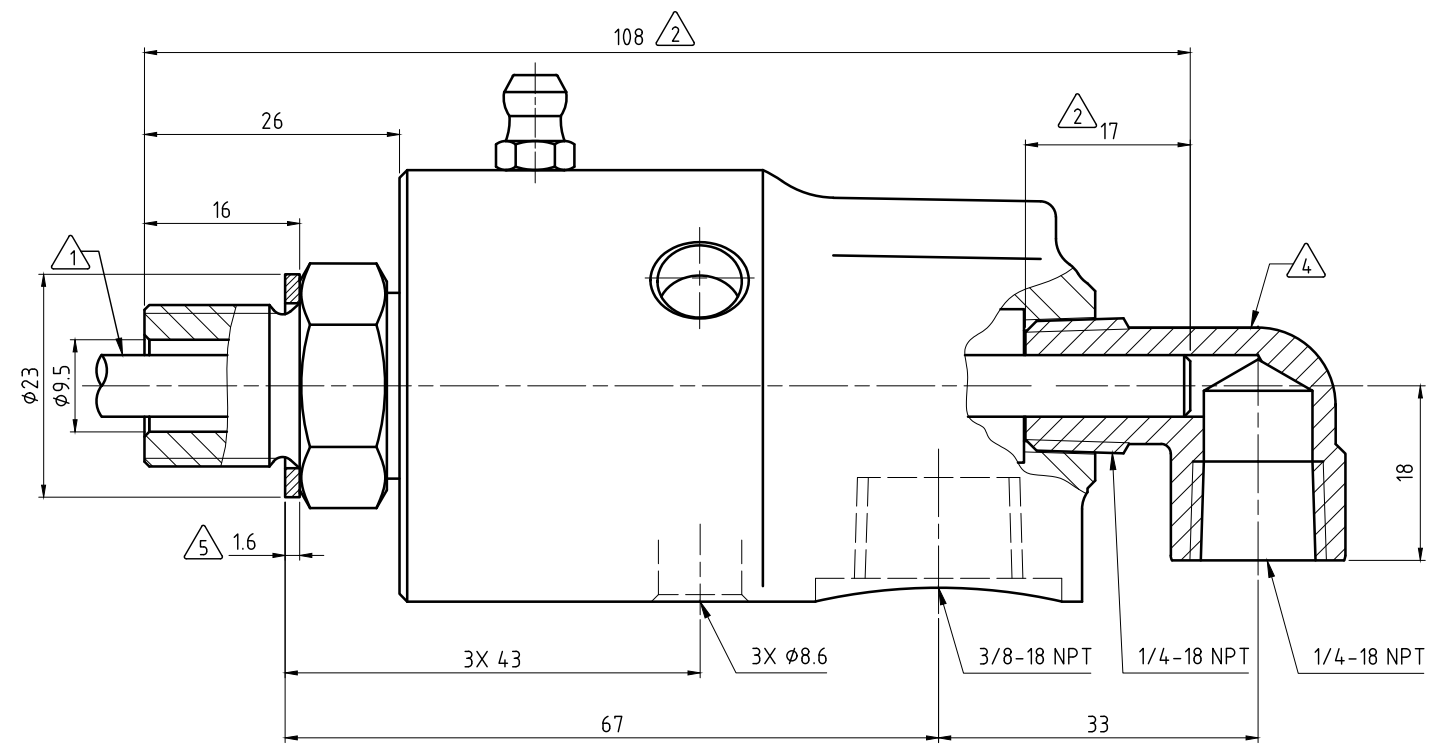
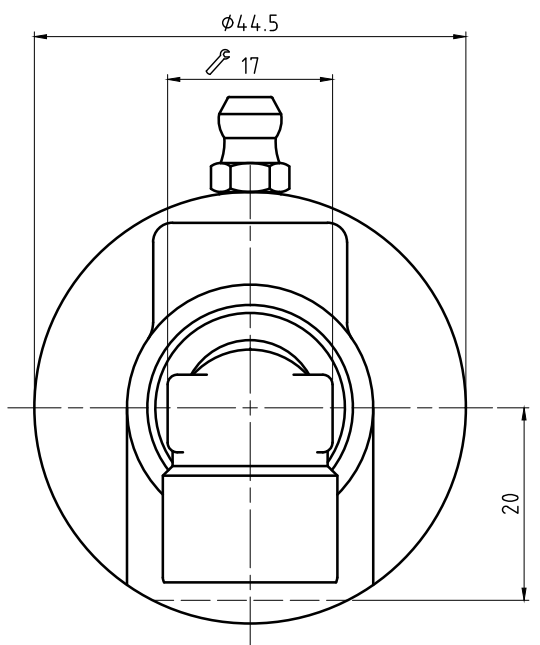


CONFIDENTIAL
 THIS DOCUMENT CONTAINS CONFIDENTIAL AND PROPRIETARY
 INFORMATION OF DEUBLIN COMPANY. COPYING, USE,
 TRANSMISSION, DISTRIBUTION, AND DISCLOSURE ARE SUBJECT
 TO THE TERMS AND CONDITIONS CONTAINED IN YOUR
 AGREEMENT WITH DEUBLIN COMPANY. ALL RIGHTS RESERVED.

NOTES:

- ① - PIPE SUPPLIED BY CUSTOMER. PIPE SIZE: 6.35mm
- ② - PIPE LENGTH.
- ③ - CONTACT DEUBLIN OR VISIT WWW.DEUBLIN.COM
FOR INSTRUCTION MANUAL: 040-550
- ④ - FITTING TO BE ASSEMBLED HAND-TIGHT, OR MAY BE SHIPPED UNASSEMBLED.
- ⑤ - GASKET THICKNESS.



OPERATING DATA			
MEDIA	WATER	SATURATED STEAM (INTERMITTENT)	THERMAL OIL
PRESSURE MAX.	50 bar	1 bar	6.6 bar
SPEED MAX.	3500 min ⁻¹		
TEMPERATURE MAX.	120 °C		
DRY RUN (WITHOUT ANY MEDIA)	NO		
RECOMMENDED FILTRATION	60 micron		



PROJECTION:	SCALE: 2:1	TITLE: DEUBLIN UNION
MATERIAL:	INTERFACE CONTROL DRAWING	
DRN. 08/14/2020 MSveflecich	DATE	NO. 57-000-095030
ENGR. 10/9/2020 RMIKA	NAME	SHEET A2
APPD.		
A RELEASE 057232 08/20 MTS	UNLESS SPECIFICALLY TOLERANCED, ALL DIMENSIONS ARE CONSIDERED REFERENCE	
ISSUE/MODIFICATION ECO DATE SIGN		