

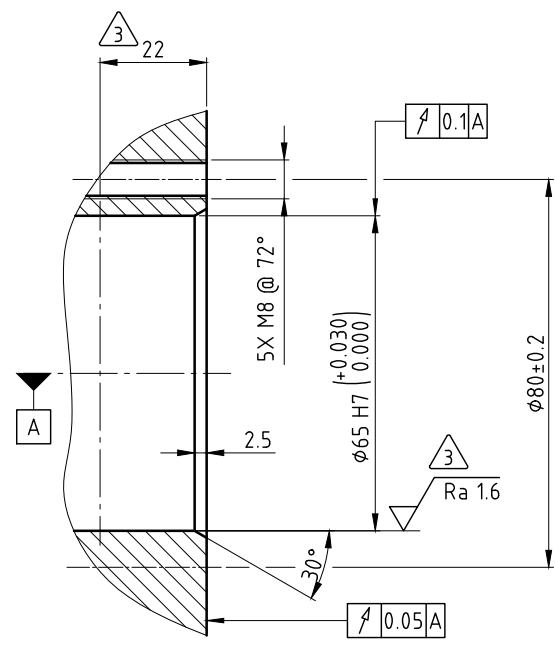
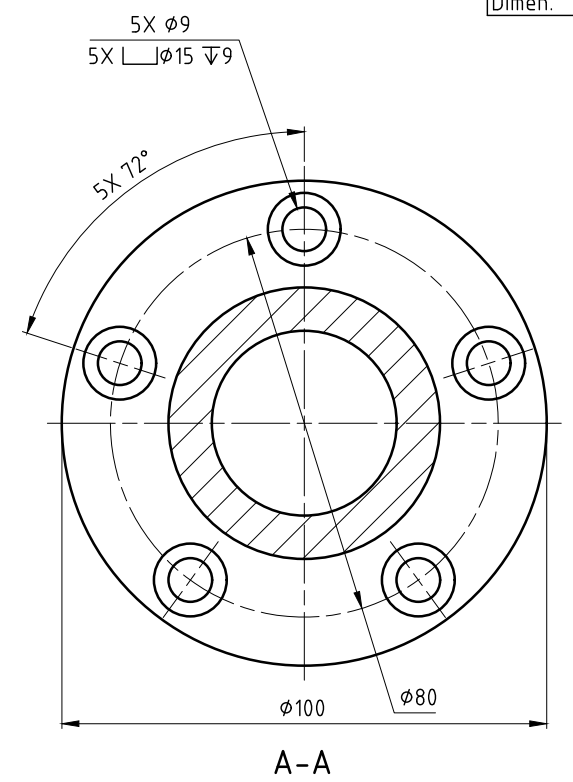
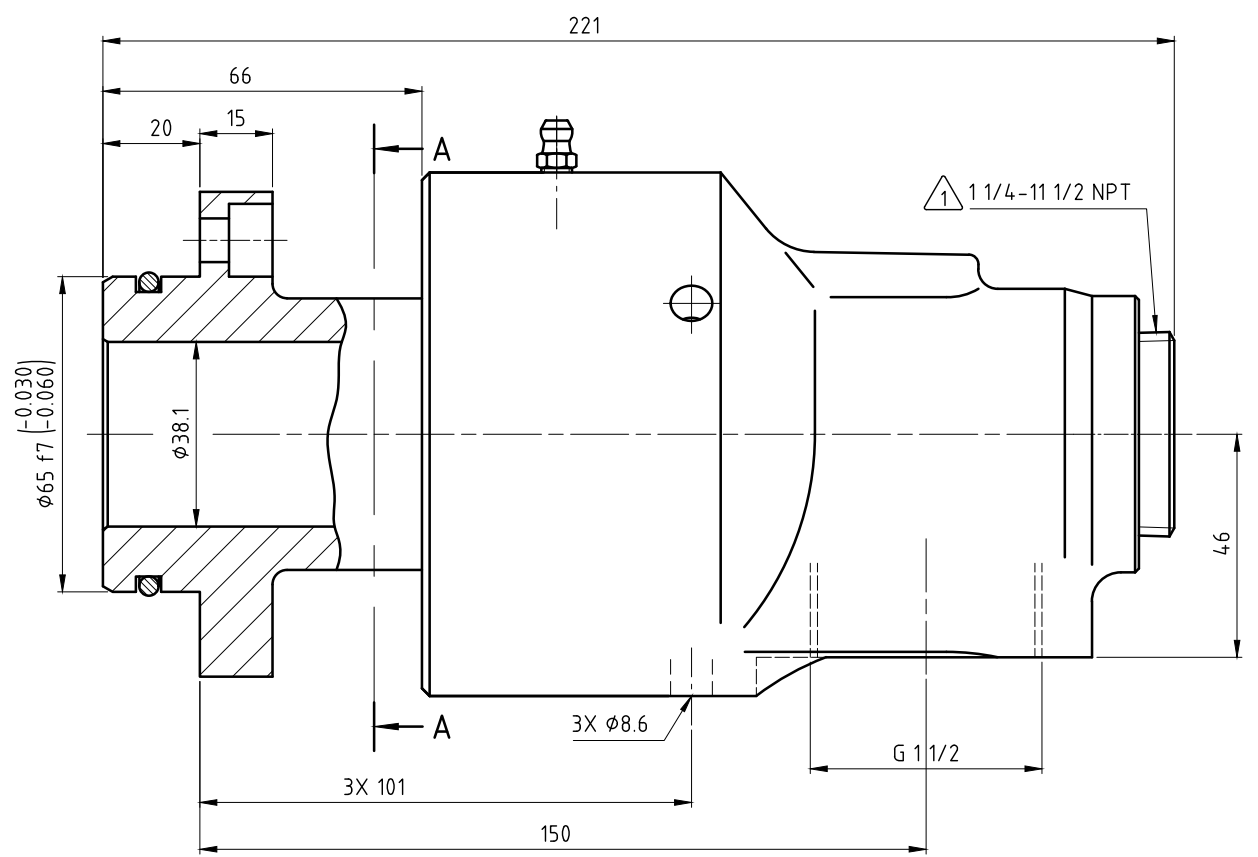
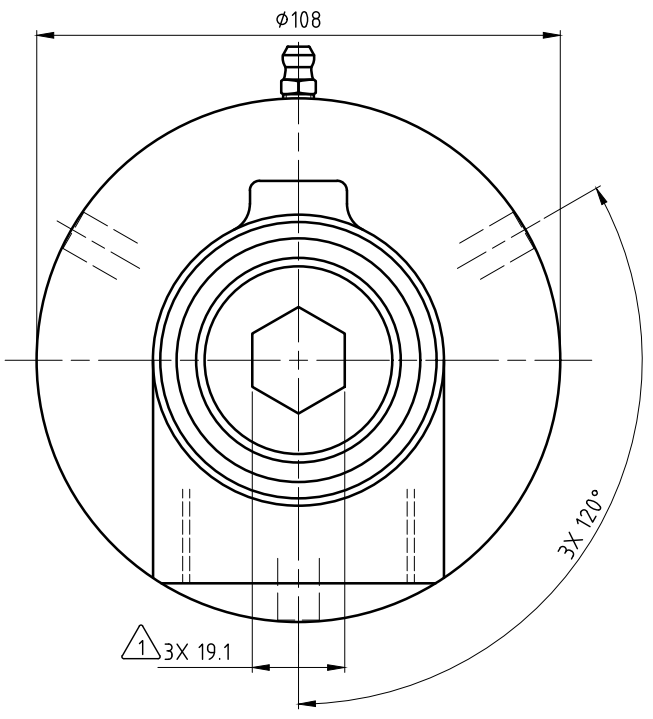
CONFIDENTIAL  
 THIS DOCUMENT CONTAINS CONFIDENTIAL AND PROPRIETARY INFORMATION OF DEUBLIN COMPANY. COPYING, USE, TRANSMISSION, DISTRIBUTION, AND DISCLOSURE ARE SUBJECT TO THE TERMS AND CONDITIONS CONTAINED IN YOUR AGREEMENT WITH DEUBLIN COMPANY. ALL RIGHTS RESERVED.

φ65	f7	+0.030	64.970
		-0.060	64.940
φ65	H7	+0.030	65.030
		0.000	65.000
Dimen.	Fit		

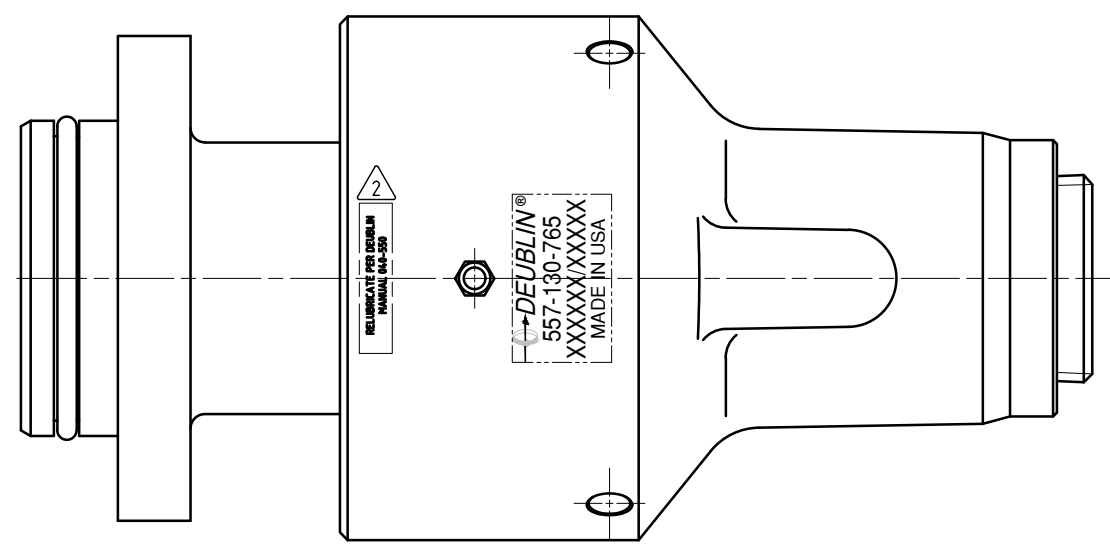
NOTES:

- 1 - PLUG INSTALLED HAND TIGHT FROM FACTORY. IF PORT IS NOT UTILIZED, TIGHTEN BEFORE USE.
- 2 - CONTACT DEUBLIN OR VISIT WWW.DEUBLIN.COM FOR INSTRUCTION MANUAL: 040-550.

3 - SURFACE FINISH APPLIES WITHIN INDICATED AREA ONLY.



CUSTOMER'S INTERFACE



OPERATING DATA			
MEDIA	WATER	SATURATED STEAM (INTERMITTENT)	THERMAL OIL
PRESSURE MAX.	20 bar	1 bar	6.6 bar
SPEED MAX.	2500 min <sup>-1</sup>		
TEMPERATURE MAX.	121 °C		
DRY RUN (WITHOUT ANY MEDIA)	NO		
RECOMMENDED FILTRATION	60 micron		

		PROJECTION:	SCALE: 1:1
			MATERIAL: INTERFACE CONTROL DRAWING
		DATE	NAME
		DRN. 09/07/2010	CW
		ENGR. 09/07/2010	HS
		APPD.	
		TITLE: DEUBLIN UNION	
		NO. 557-130-765	
A REDRAWN REV 624-96 06/22 LG ISSUE MODIFICATION ECO DATE SIGN		UNLESS SPECIFICALLY TOLERANCED, ALL DIMENSIONS ARE CONSIDERED REFERENCE SHEET A2	