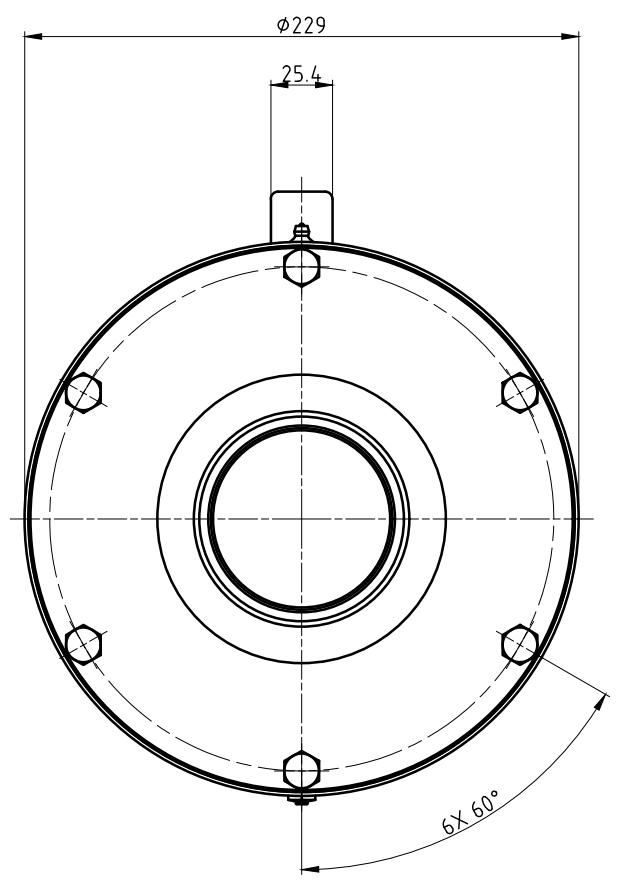
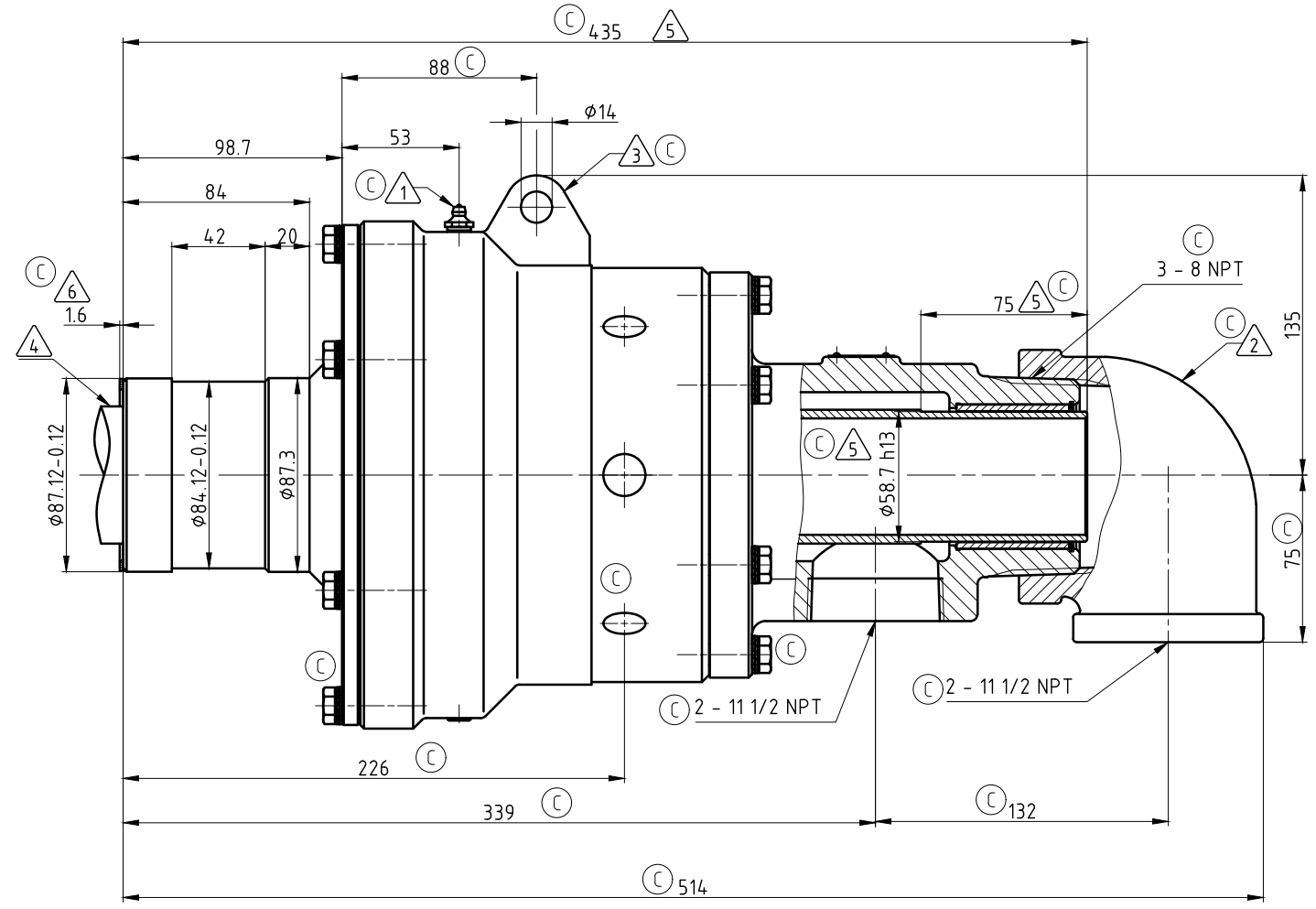
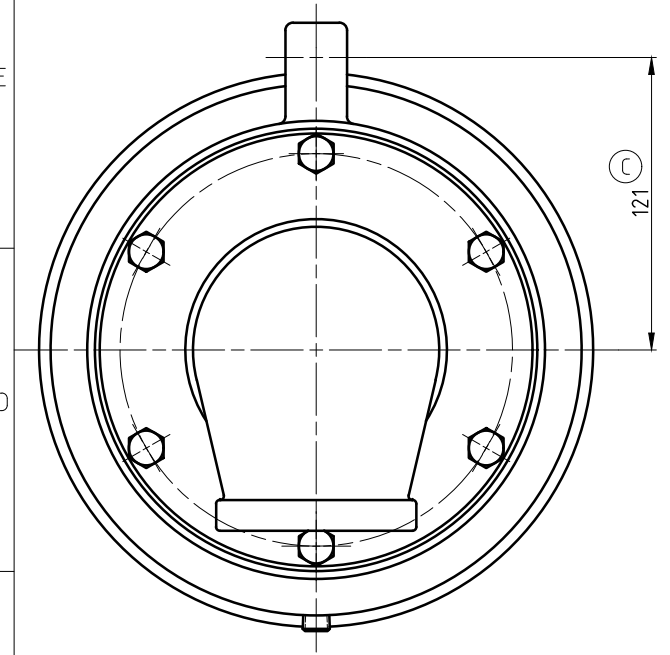


CONFIDENTIAL  
 The reproduction, distribution and utilization of this document as well as the communication of its contents to others without express authorization is prohibited. Offenders will be held liable for the payment of damages. All rights reserved in the event of the grant of a patent, utility model or design.

φ58.7	h13	0.000	58.700
Dimen.	Fit	-0.460	58.240

NOTES:

- (C) 1 - CONTACT DEUBLIN OR VISIT WWW.DEUBLIN.COM FOR INSTRUCTION MANUAL: 040-561
- (C) 2 - FITTING TO BE ASSEMBLED HAND-TIGHT.
- (C) 3 - TORQUE LUG PROVIDED FOR ANTI-ROTATION. DO NOT RESTRICT MOVEMENT OF UNION.
- (C) 4 - PIPE SUPPLIED BY CUSTOMER. PIPE SIZE: 2"
- (C) 5 - PIPE LENGTH.
- (C) 6 - GASKET THICKNESS.



OPERATING DATA	
MEDIA	WATER
PRESSURE MAX.	10 bar
SPEED MAX.	750 min <sup>-1</sup>
TEMPERATURE MAX.	121 °C
DRY RUN (WITHOUT ANY MEDIA)	NO
RECOMMENDED FILTRATION	60 micron
FLOW MAX	681 L/min
TORQUE	10.9 Nm



PROJECTION:	SCALE: 1:2	TITLE: DEUBLIN UNION
MATERIAL:	INTERFACE CONTROL DRAWING	
DRN. 05/10/19	NAME Lucaswang	NO. 6300-002-624
ENGR. 12/04/18	NAME hegang	
ISSUE MODIFICATION	DATE SIGN	SHEET A2

C	SEE CD	62551	07/22	MTS
B	Dimension Modified	052381	06/19	LW
A	Initial Release	049963	12/18	LW

UNLESS SPECIFICALLY TOLERANCED, ALL DIMENSIONS ARE CONSIDERED REFERENCE