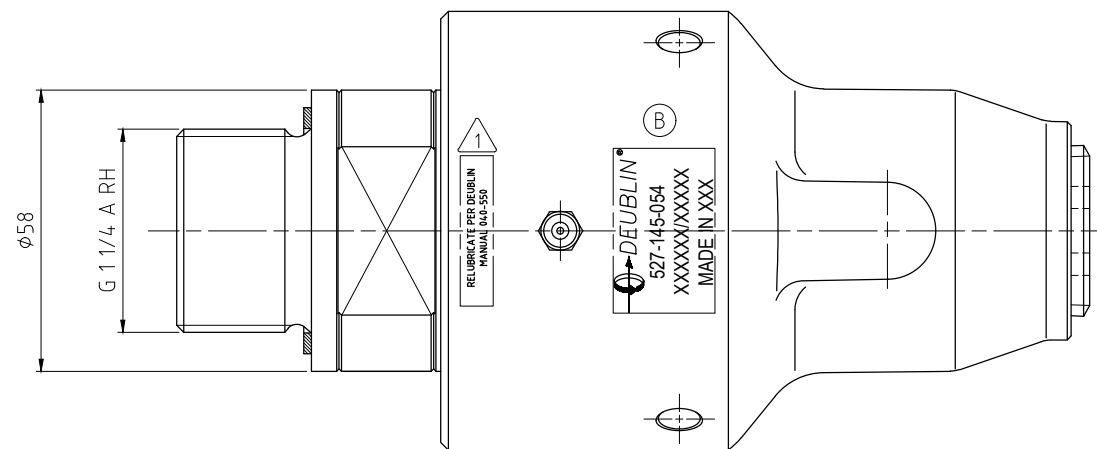
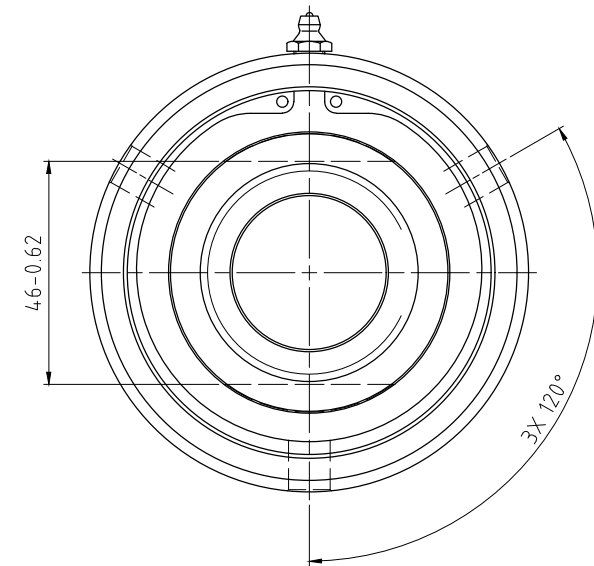
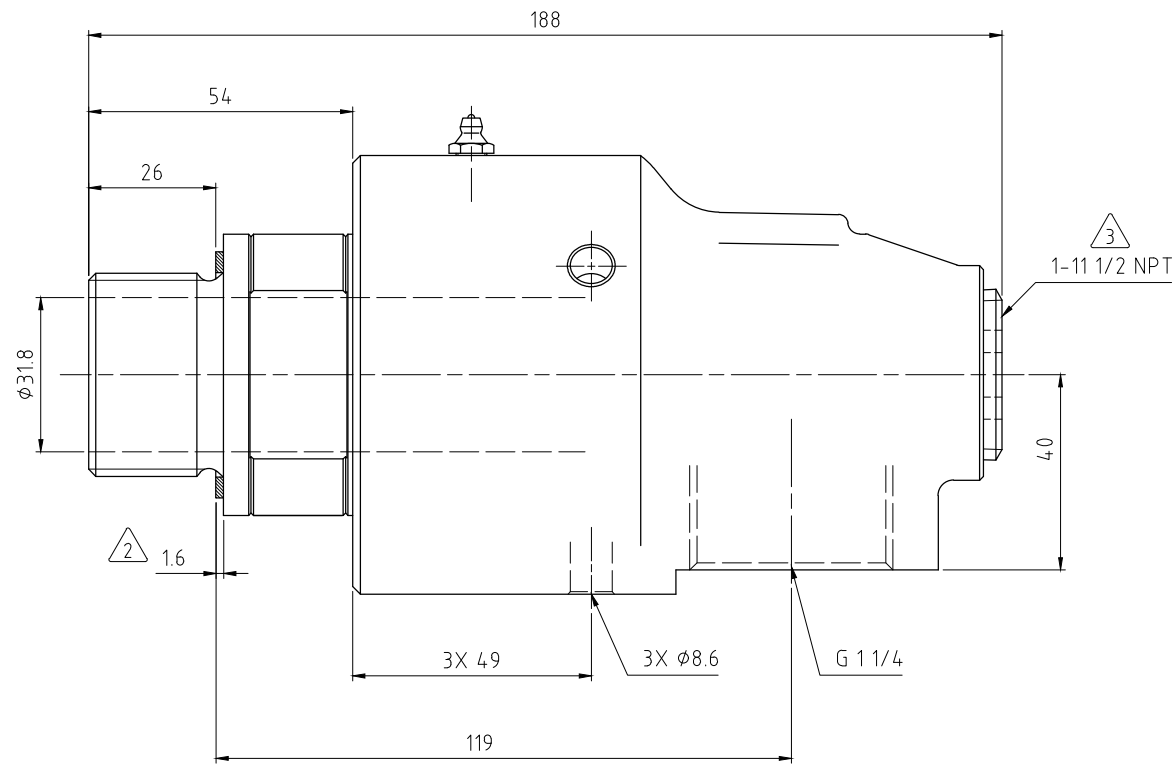
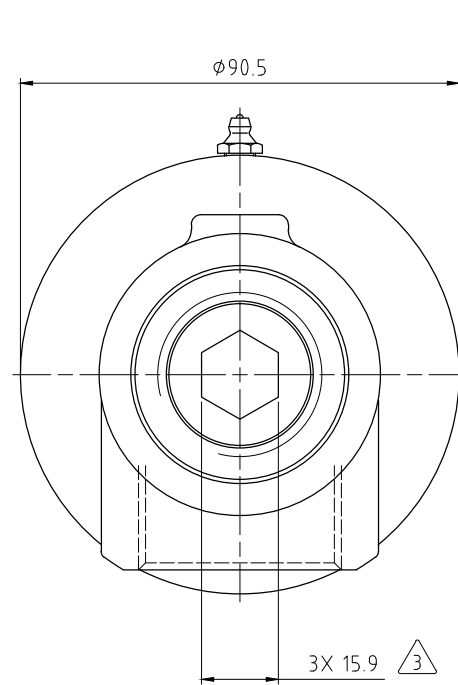
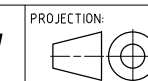


NOTES:

- ① - CONTACT DEUBLIN OR VISIT WWW.DEUBLIN.COM
FOR INSTRUCTION MANUAL: 040-550
- ② - GASKET THICKNESS.
- ③ - PLUG INSTALLED HAND TIGHT FROM FACTORY. IF PORT IS NOT UTILIZED,
TIGHTEN BEFORE USE.



OPERATING DATA		
MEDIA	WATER	THERMAL OIL
PRESSURE MAX.	20 bar	6.6 bar
SPEED MAX.	2500 min ⁻¹	
TEMPERATURE MAX.	93 °C	
DRY RUN (WITHOUT ANY MEDIA)	NO	
RECOMMENDED FILTRATION	60 micron	



PROJECTION:
 SCALE: 1:1
 MATERIAL: INTERFACE CONTROL DRAWING

NO.	DATE	NAME	TITLE
DRN.	21.10.2016	HS	DEUBLIN UNION
ENGR.	21.10.2016	CW	
APPD.			

NO. 527-145-054

ISSUE	MODIFICATION	ECO	DATE	SIGN
B	INCORRECT MARK	63193	12/22	NR
A	SEE ECO	62055	03/22	MTS

UNLESS SPECIFICALLY TOLERANCED, ALL DIMENSIONS ARE CONSIDERED REFERENCE

SHEET A2