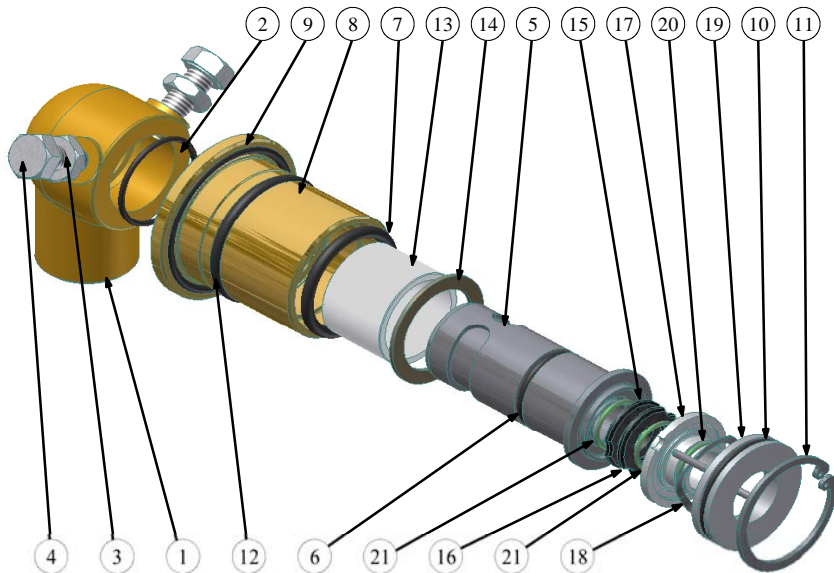




Repair Instruction

Model/Series: 2400 Series
 Number: 032-3002
 Revision: B



2412 Union Series

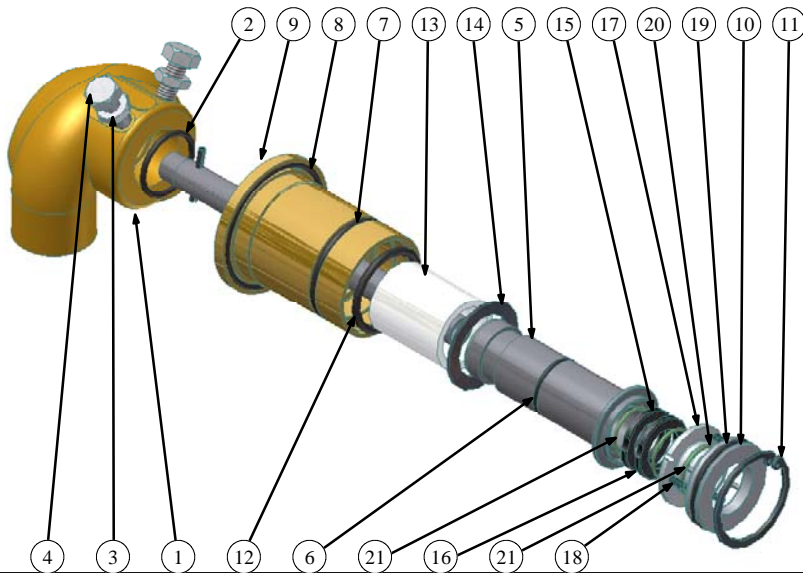
Item	Qty	Description	Repair Kit
1	1	Elbow	Not Included
2	1	O-Ring, Elbow	Included
3	2	Jam Nut	Not Included
4	2	Cap Screw	Not Included
5	1	Rotor	Not Included
6	1	O-Ring, Rotor	Included
7	Model Specific	O-Ring, Housing	Included
8	Model Specific	O-Ring, Housing	Included
9	1	Housing	Not Included
10	1	O-Ring, Spring Holder	Included
11	1	Snap Ring	Not Included
12	1	O-Ring, Housing	Included
13	1	Bearing	Included
14	1	Thrust Washer	Included
15	1	Rotor Seal	Included
16	1	Floating Seal	Included
17	1	Seal Carrier	Included
18	1	Wave Spring	Included
19	1	Spring Holder	Included
20	3	O-Ring, Seal Carrier	Included
21	2	O-Ring, Seals	Included
N/A	Model Specific	O-Ring, End Plug	Included

*Housing o-rings will differ by model.



Repair Instruction

Model/Series: 2400 Series
 Number: 032-3002
 Revision: B



2420 Union Series

Item	Qty	Description	Repair Kit
1	1	Elbow	Not Included
2	1	O-Ring, Elbow	Included
3	2	Jam Nut	Not Included
4	2	Cap Screw	Not Included
5	1	Rotor	Not Included
6	1	O-Ring, Rotor	Included
7	Model Specific	O-Ring, Housing	Included
8	Model Specific	O-Ring, Housing	Included
9	1	Housing	Not Included
10	1	O-Ring, Spring Holder	Included
11	1	Snap Ring	Not Included
12	1	O-Ring, Housing	Included
13	1	Bearing	Included
14	1	Thrust Washer	Included
15	1	Rotor Seal	Included
16	1	Floating Seal	Included
17	1	Seal Carrier	Included
18	1	Coil Spring	Included
19	1	Spring Holder	Included
20	3	O-Ring, Seal Carrier	Included
21	2	O-Ring, Seals	Included
N/A	Model Specific	O-Ring, End Plug	Included

*Housing o-rings will differ by model.