



## Rotating Unions



### Series

**2620, 1500, 1579, 1590**

**2-passage Closed Seal**

---

**Content**

---

1	For your Safety	3
1.1	Intended Use	3
1.1.1	Application	3
1.2	Misuse	4
1.3	Safety Instructions	5
1.3.1	Hazards due to incorrect hoses	5
1.3.2	Hazards due to the media	5
1.3.3	Hazards due to faulty installation	5
1.3.4	Hazards due to hot surfaces	5
1.4	Structure of Pictograms	6
2	Information as to this Manual	6
3	Information on the Name Plate	6
4	Information on the Design	7
4.1	Filtering of the Medium	7
4.2	Compressed Air Grade	7
4.3	Connecting Options of the Rotating Union at the Machine Shaft	8
4.4	Options of Hose Installation	8
4.4.1	Connection of hose to the rotating union	8
4.4.2	Connection of a leakage line	9
4.5	Using a locking element (screwed on the outside)	9
5	Installation	10
6	Information on the Operation	10
7	Storage	10
8	Maintenance	10
8.1	Maintenance Intervals	10
8.2	Daily Inspection	11
8.3	Lubricate the rotating union	11
9	Trouble Shooting	12
9.1	Potential Causes for Errors and their Elimination	12
9.2	Pack Rotating Union for Transport	13
10	Disposal	14
10.1	Dispose of Packaging	14
10.2	Dispose of Rotating Union	14
11	Spare Parts	14

## 1 For your Safety

This chapter provides information on the safe handling of *DEUBLIN* rotating unions.

- For your own safety and the safety of other people read this operating manual carefully and completely prior to working on or with *DEUBLIN* rotating unions.
- This operating manual exclusively describes the rotating unions of the manufacturer *DEUBLIN*. In the further description/explanation the name “*DEUBLIN*” is left out for a better readability.
- This operating manual is a material part of the specified rotating unions. The operator is responsible for the personnel to take note of this manual.
- Always use the latest version of the operating manual, available under [www.deublin.com](http://www.deublin.com).
- The operator of the rotating unions shall not make any modifications or attachments to and retrofitting of the rotating union without the manufacturer’s consent.
- Please follow the additional instruction “Installation” for a secure and correct installation of the rotating union. The installation instruction is included with the delivered union.

### 1.1 Intended Use

The rotating unions of the series 2620, 1500, 1579 and 1590 supply the feeding of the following media: Coolant, Hydraulic oil, Air pressure and Vacuum

Series	Medium			
	Coolant	Hydraulic oil	Air pressure	Vacuum
2620	•	•	•	
1500			•	•
1579		•		
1590			•	

The rotating unions referred to are designed for non-potentially explosive environments and non-combustible media. Details on the operating range of the rotating unions are provided in the catalogue and/or the model-specific installation drawing.

#### 1.1.1 Application

##### Mounting Example

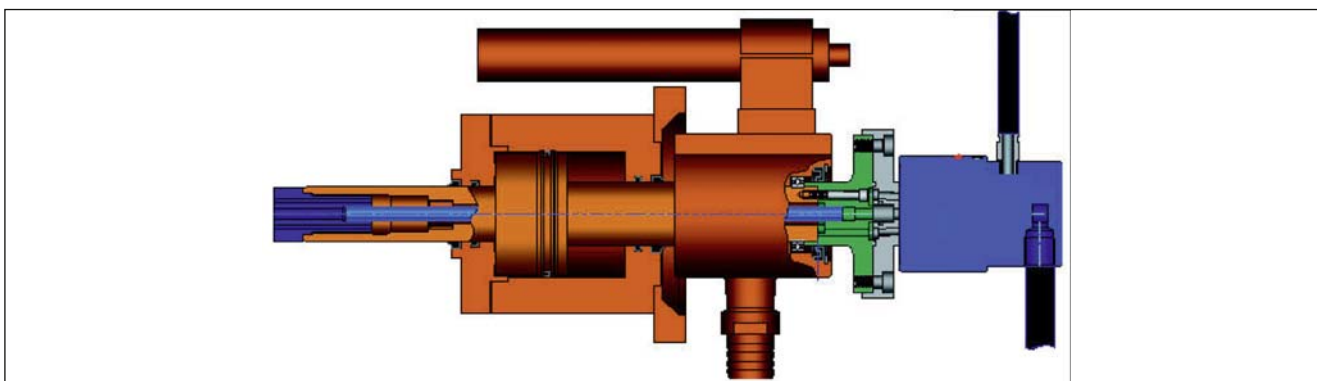


Fig. 1: Mounting example

A rotating union is installed to one end of the shaft. The rotating union is equipped with two channels that are used to pass the corresponding medium to the application site for the corresponding application.

## 1.2 Misuse

This chapter provides information on known misuse of rotating unions of the 2620, 1500, 1579 and 1590 series.

The rotating unions are not suitable for the areas and applications described herein. Use in such areas or for such applications constitutes a misuse endangering people and machines and is therefore prohibited.

### Prohibition for the following areas:

**Potentially explosive areas**

The rotating unions of the 2620, 1500, 1579 and 1590 series shall not be used in potentially explosive areas, as they are not approved for the requirements in potentially explosive areas. Operation in such areas may cause explosions.

**Outdoor operation**

Inadequate protection against weather conditions can result in premature failure.

### Prohibition for the following applications:

**Conveying of combustible media or hydrocarbons**

Combustible media or hydrocarbons may ignite or cause explosions.

**Exception:** Thermal oil within the admissible temperature range. Please observe the safety data sheet of the used thermal oil.

**Food**

Food, cleaning and disinfectant residues cannot be removed from the rotating unions. People may suffer poisoning.

**Connection to a piping system with excessive pressure**

If excessive pressure is applied to the rotating unions, supply pipes can come off and cause personal injury or property damage.

**Operation without lubrication**

Dry operation (without medium) of the rotating union causes damage to the mechanical seals.

**Operation without a medium (dry run)**

Operating rotating unions without a medium may damage the sealing surfaces of the rotating union. This is particularly applicable to models where air is to be used on the outer or in both channels. Here, continuous medium flow has to be provided so that the oil particles of the flowing air are brought to the mechanical seal faces. Trapped air (air lock) is inadmissible.

**Connection to fixed pipes**

If connection is via fixed pipes, the rotating unions may leak and the ball bearings may get damaged.

**Conveying of media which are too hot**

If the media exceed the maximum admissible temperature for the rotating union, the static seals (elastomeric seals) can be damaged which may result in leaky rotating unions and personal injury or property damage.

**Incorrect channel configuration**

If the channels of the rotating union are not charged with the correct media in accordance with the model-specific installation drawing, the rotating union may be damaged and material damage and injury to persons may be the result.

**Static air**

If the rotating union supplies compressed air to a clamping cylinder for example, the compressed air will be accumulated in the channel of the rotating union during the clamping procedure. The rotating union will be damaged as a result.

**Dry air in the outer channel**

If the outer channel is charged with dry compressed air, the rotating union may be damaged.

**Use of anti-rotation elements**

If the rotating unions are secured by means of anti-rotation elements, it has to be observed that

the installation is carried out without any stress. Stresses may result in damage to the rotating unions. See chapter 4.5.

**Pressure peaks**

If the rotating unions are subject to pressure peaks, the rotating unions may be damaged and material damage and injury to persons may be the result.

**Operation at the maximum speed and with maximum pressure**

Speed and pressure must be adjusted to each another so that the rotating unions are not damaged or fail prematurely (see model-specific installation drawing).

This list is not comprehensive and will be updated with results from product observation.

## 1.3 Safety Instructions

This chapter provides information on the hazards from rotating unions.

### 1.3.1 Hazards due to incorrect hoses

For the connection of the rotating union to the machine, you have to choose appropriate hoses for the respective medium, which meet, the specifications for the application.

If you use incorrect hoses, they may become porous or burst. This can cause personal injury and/or property damage to components of the machine.

- Use only hoses which are suitable for the media, the maximum system pressure and the maximum temperature for the machine.

### 1.3.2 Hazards due to the media

When working on the rotating union, injuries can be caused by skin or eye contact with the media.

- Observe the safety instructions for the media. Observe the COSHH Safety Data Sheet for the media.

### 1.3.3 Hazards due to faulty installation

If the rotating unions are installed incorrectly, hoses and connections may leak. The medium can escape. Depending on the medium, personal injury or property damage to the components of the machine may occur.

- Before installing the rotating union ensure that no feed pressure and no residual pressure is applied to the pipeline system of the machine.
  - To ensure the safe and correct installation of the rotating union, observe the additional "Installation" instruction manual, which is included with the delivered union.
- Install the hoses to the rotating union prior to mounting it to the machine shaft. This does not apply to hoses with an SAE connection.
- Install the rotating union to the machine using flexible hoses only, in order to avoid stress on the rotating union.
- Install the hoses free from stress.
- Install the rotating union in a way that the leaking medium can be carried away downward at the lowest point and that the drain line permanently slopes downwards at a minimum of 15°.

### 1.3.4 Hazards due to hot surfaces

During operation, the rotating unions may become hot. Skin contact with heated rotating unions can cause injuries.

- Use safety gloves and PPE (Personal Protective Equipment) protecting against heat when handling the rotating union.
- Attach a clearly visible danger sign on or next to the rotating union in order to warn of potential hazards.



## 1.4 Structure of Pictograms

This chapter provides information on the meaning of the pictograms used in the manual.



Warning

**Warning**

Potentially dangerous situation, which may result in death or serious bodily injuries.



Note

**Note**

Potentially harmful situation, in which the product or an object in its surroundings can be damaged.



Info

**Application notes**

and other useful information.

---

## 2 Information as to this Manual

---

The copyright as to this manual remains with *DEUBLIN*. Subject to changes!

- You can download the latest version of this manual under [www.deublin.com](http://www.deublin.com).
- Always use the latest version of the operating manual.

---

## 3 Information on the Name Plate

---

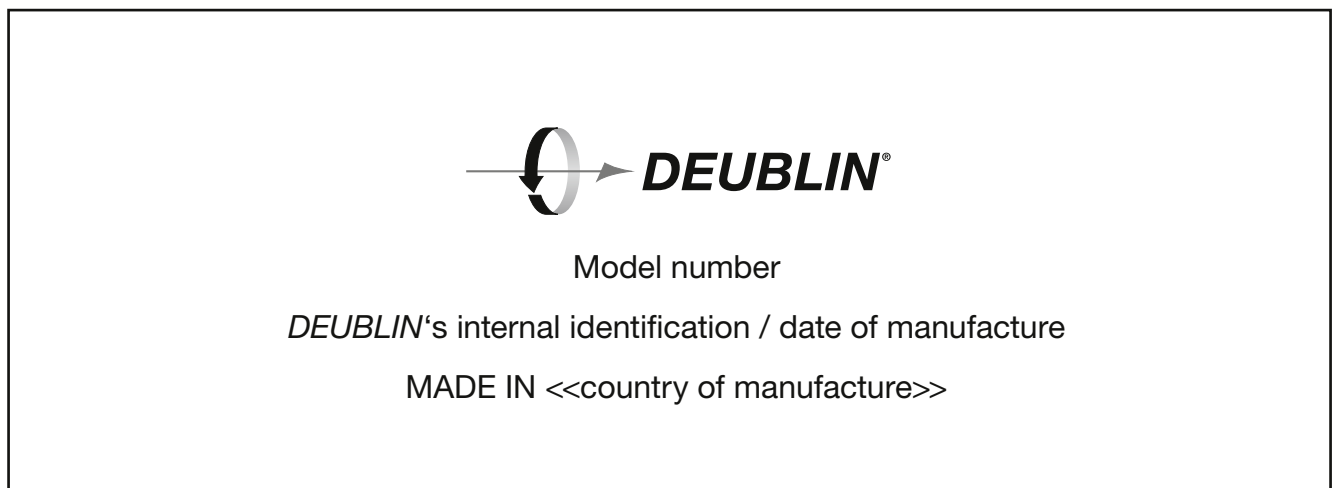


Fig. 2: Name plate

The coding of the model number is described in the catalogue. The model number corresponds to the order number.



## 4 Information on the Design

This chapter provides information as to which items have to be observed in the design in order to have a positive effect on the service life of the rotating union.



Info

You can obtain the drawings of the rotating unions from *DEUBLIN* to integrate the rotating union in your drawing.

You will require the model-specific installation drawing of your rotating unions to implement it into your design and to operate the rotating unions in a safe manner.

The model-specific installation drawing of the respective rotating union contains e.g.:

- approved operating data
- design of the customers interface
- torque moments of the union

### 4.1 Filtering of the Medium

Unfiltered media with a particle size of more than 60 µm, increased wear of the rotating union.

Please use the following classes for liquid media:

- Class 5 in accordance with ISO 4406:1999 code 17/15/12 or
- Class 8 in accordance with NAS 1638

Determine the required filter performance data according to standard DIN ISO 4572 in order to achieve a maximum particle size of 60 µm.



Info

The larger the particles in the media, the higher the wear of the rotating union is. The higher the total of all particles (polluting load), the higher the wear is.

- Insert a filter in front of the rotating union which filters particles with a size of 60 µm and larger from the media.

### 4.2 Compressed Air Grade

To ensure the longest possible service life of the rotating union, *DEUBLIN* recommends using compressed air grade 4 according to DIN ISO 8573-1. This results in the following parameters for the compressed air:

Particle		Water		Oil
Particles max. in µm	Particles max. in mg/m <sup>3</sup>	Compressed air dew point in °C	Water content in mg/m <sup>3</sup>	Residual oil content in mg/m <sup>3</sup>
15	8	3	6,000	5

### 4.3 Connecting Options of the Rotating Union at the Machine Shaft



Fig. 3: Rotating Union with flange

The rotating unions are screwed to the machine shaft via the rotor. In order to allow for this, the rotor is equipped with a flange. Additionally, the rotating union can be equipped with a location diameter. This is inserted into the machine shaft.

The rotor provides for the connection between the rotating union and the shaft. For this reason it is important to design the shaft with the corresponding accuracy and to observe the specifications of the model-specific installation drawing of the rotating union. Deviations may result in leakages and rough running of the rotating unions.

The rotating unions can be installed on the shaft vertically (rotor pointing in a downwards direction) or horizontally.



Note

#### **Component damage due to incorrect installation**

When installing the rotating unions vertically with the rotor pointing in an upwards direction, the union may be damaged.

- Please contact *DEUBLIN* if you wish to install rotating unions vertically with the rotor pointing in an upwards direction.

### 4.4 Options of Hose Installation

The following examples show how to install the hoses to the rotating unions.

These connecting options ensure that the hoses do not transfer stress to the rotating unions when the machine shaft moves.

- Please pay attention to the chapter “1.3 Safety Instructions” regarding the design.

#### 4.4.1 Connection of hose to the rotating union

The hoses must be installed without stress and bends so that they do not apply any forces to the rotating union. The following figures show examples of installations.



The lines supplying the medium have to be flexible. During operation, the flexible hoses prevent the development of lateral loads on the bearings of the rotating unions.

Fig. 4: Connect hoses laterally



#### 4.4.2 Connection of a leakage line

If the rotating union has got drain holes, they should have a drain hose connected to prevent surrounding components from being damaged by escaping media.

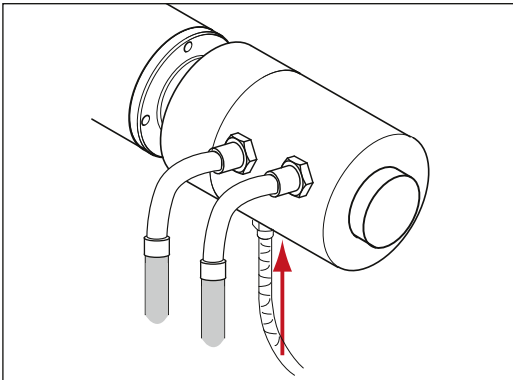


Fig. 5: Schedule connection of leakage line

When mounting the union horizontally the leakage hose connection from the housing should be as near as possible to the 6 o'clock position, respectively when mounting the union vertically the leakage hose should lay in a downward angle (at least 15 Degrees) so that leakage can be drained away

- ❑ When used in dirty environment, we recommend protecting the remaining leakage holes against penetrating dirt. You can order sealing plugs from *DEUBLIN*. At least one leakage hole must be vented; so that the leakage can drain off in an unimpeded manner. To prevent the drain hose from being penetrated by dirt, the drain hose should point downwards.

#### 4.5 Using a locking element (screwed on the outside)

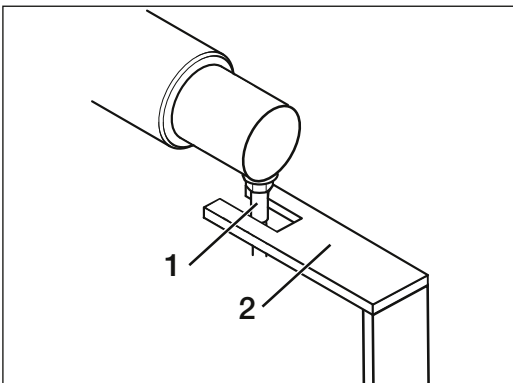


Fig. 6: Example of a possible anti-rotation element

The rotating union housing can be secured against rotation during operation using an anti-rotation element **(2)**. The metal connections of the hoses **(1)** can be used as torque supports in doing so.

A fork head can be installed on a hose connection, for example, as anti-rotation element.

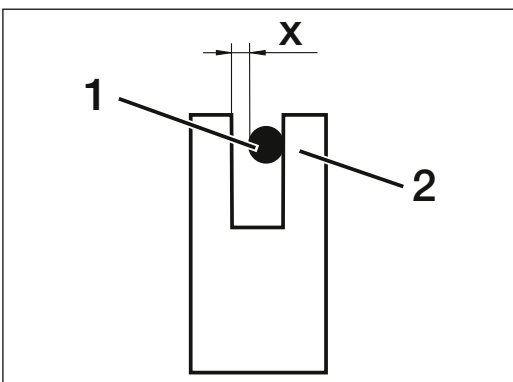


Fig. 7: Top view torque support

In this, the connection of the hose **(1)** must only make contact with one arm **(2)** of the anti-rotation element so that a clearance **(X)** remains between the other arm and the connection of the hose.

## 5 Installation

The union installation is described in an additional manual which is supplied with each rotating union. Please follow the additional instruction "Installation" for a secure and correct installation of the rotating union. The instruction "Installation" is available online under [www.deublin.com](http://www.deublin.com).

- Ensure that the person installing the rotating union receives the following information:
  - Position and location of the rotating union in the machine
  - Information on the media
  - Plan for connection of hoses
  - Position of leakage line
  - Information on installing the anti-rotation element provided by the customer
  - model-specific installation drawing

## 6 Information on the Operation



Note

### **Damage to components due to missing lubrication (Dry run)**

The axial face seals of the rotating unions are lubricated by the medium. If the rotating unions are operated without medium present they are not lubricated and will thus be damaged.

- Ensure that the rotating unions are operated with a medium.
- Switch off the plant/machine, if the rotating unions are operated without medium.

## 7 Storage



Note

### **Damage of component due to incorrect storage**

If you store the rotating unions incorrectly, they become leaky or get damaged.

- Store the rotating unions in a dry space between 3 °C and 40 °C.
- Store rotating unions for two years at the most.

## 8 Maintenance

This chapter provides information on how to extend the service life of the rotating unions by means of maintenance.

### 8.1 Maintenance Intervals

You can avoid early wear of the rotating unions, if you adhere to the maintenance intervals described herein.

Regular inspections are required if risks with regards to safety and environmental protection result from malfunctions of the *DEUBLIN* Rotating Union.



Info

Ex factory, the bearings in rotating unions are lubricated for the entire duration of their service life. Subsequent lubrication is not required.

## 8.2 Daily Inspection

Check the rotating unions for tightness.



### Risk of injuries due to applied line pressure

If you have to work on the rotating union and feed pressure of the medium is applied or there is residual pressure in the piping system of the machine, the medium can escape under pressure when releasing the connections. You and other people may suffer severe injuries.

- Ensure that no feed pressure is applied.
- Ensure that there is no residual pressure in the piping system.



### Risk of injury due to hot surfaces

The rotating unions may become hot during operation. If the skin makes contact with this heated rotating union, this can result in severe injuries.

- Before starting any works on the rotating unions, please allow the machine to cool down.
- Depending on the application case of the rotating unions, please use protective gloves in order to protect against heat or cold.

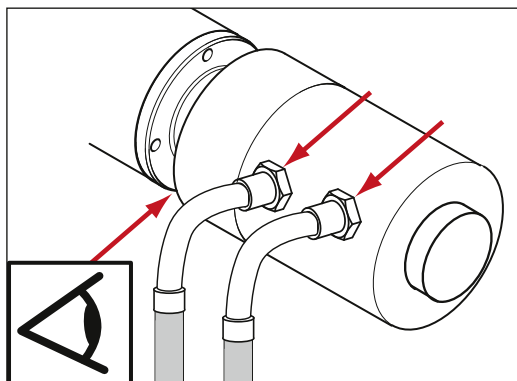


Fig. 8: Inspect visually

During operation of the machine, leakages may occur at the connections and hoses depending on the requirements to the rotating unions.

1. Carry out daily visual inspections in order to check whether leakages occurred at the connections (see arrows).

If you detect leakage:

1. Stop the machine.
2. Replace the defective hoses with new ones.
3. Seal leaking connections.
4. If the rotating union is worn and leaks, replace it with a new one or return a leaky rotating union to *DEUBLIN* for overhaul/service.

## 8.3 Lubricate the rotating union

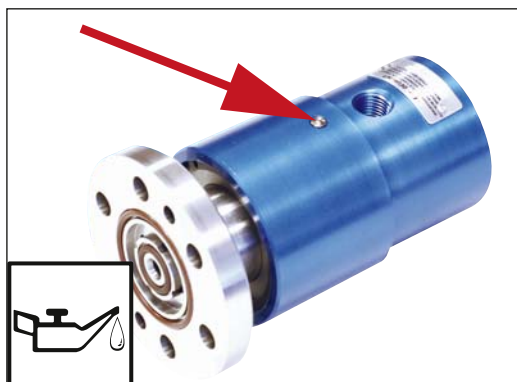


Fig. 9: Lubricate the rotating union here

Rotating unions for the medium air in the outer channel are equipped with an oiler. Lubricate this oiler by means of a manual oiler: Lubrication interval 1 x month (in case of high speeds >3.000 RPM 1 x week) with 4-5 drops of high-quality motor oil.

## 9 Trouble Shooting

This chapter provides the following information:

1. Which problem may occur?
2. What can be the cause of the problem?
3. How can you eliminate this problem?



Info

Do not disassemble the rotation unions for repair (maintenance). This invalidates the warranty claim.

### 9.1 Potential Causes for Errors and their Elimination



Warning

#### **Risk of injuries due to applied line pressure**

If you have to work on the rotating union and feed pressure of the medium is applied or there is residual pressure in the piping system of the machine, the medium can escape under pressure when releasing the connections. You and other people may suffer serious injuries.

- Ensure that no feed pressure is applied.
- Ensure that there is no residual pressure in the piping system.

Error	Potential causes	Elimination
Rotating union is leaky after installation	Incorrect installation	<ol style="list-style-type: none"> <li>1. Stop the machine.</li> <li>2. Ensure that the connections are sealed according to the manual "Installation".</li> <li>3. Ensure that all hoses are installed without stress.</li> <li>4. Ensure that all seal faces are clean.</li> </ol>
	Seal faces of the rotating union are damaged	<ol style="list-style-type: none"> <li>1. Pack rotating union.</li> <li>2. Send rotating union to <i>DEUBLIN</i> for overhaul/service.</li> </ol>
	Rotating union is defective	
	If applicable: O-rings on the rotor are damaged.	<ol style="list-style-type: none"> <li>1. Stop the machine.</li> <li>2. Dismantle the rotating union.</li> <li>3. Ensure that the O-rings at the rotor are not damaged, if damaged replace O-rings.</li> </ol>
	If applicable: O-rings are positioned incorrectly.	<ol style="list-style-type: none"> <li>1. Stop the machine.</li> <li>2. Dismantle the rotating union.</li> <li>3. Ensure that the O-rings are in the correct position (see model specific installation drawing), if necessary adjust position.</li> </ol>
Rotating union leaks before the end of the expected service life	Medium is contaminated	<ol style="list-style-type: none"> <li>1. Stop the machine.</li> <li>2. Drain medium.</li> <li>3. Send rotating union to <i>DEUBLIN</i> for overhaul/service, if required.</li> <li>4. Flush the piping system of the machine.</li> <li>5. Mount new filter.</li> <li>6. Fill in new medium.</li> </ol>
	Rotating union is not designed for the respective application	<ol style="list-style-type: none"> <li>1. Ensure that the correct <i>DEUBLIN</i> Rotating Union is used.</li> <li>2. Contact <i>DEUBLIN</i> if required.</li> </ol>
Rotating union runs untrue or wobbles	Fixing thread/flange and/or concentricity outside the admissible tolerance.	<ol style="list-style-type: none"> <li>1. Stop the machine.</li> <li>2. Remove rotating union.</li> <li>3. Manufacture new thread or flange.</li> <li>4. Install rotating union.</li> </ol>
	Rotating union is mounted incorrectly.	

## 9.2 Pack Rotating Union for Transport

The rotating union has to be protected against mechanical impact and humidity during transport to ensure that the rotating union will arrive at *DEUBLIN* without being damaged.

1. Dismount the rotating union in reverse order of the installation (see Installation).
2. Ensure that the rotating union is free from the respective media.
3. Use a cardboard box which is suitable for the weight of the rotating union.
4. Cushion the base of the cardboard box with a soft material, e.g. air bubble film.
5. Wrap the rotating union with a soft material, e.g. air bubble film.
6. Ensure that no packing material or dirt can penetrate the opening of the rotating union.
7. Position the rotating union in the middle of the cardboard box.
8. Fill the free space around the rotating union with newspaper or another suitable material.
9. Close the cardboard box by means of tape.

---

## 10 Disposal

---

### 10.1 Dispose of Packaging

- Dispose of the packaging (cardboard box and plastics) according to the national standards, regulations and directives.

### 10.2 Dispose of Rotating Union

Mainly, the rotating unions consist of metals, which can be reused within the reclamation of scrap. Decontaminate unions / parts and dispose of in an “Environmentally Friendly” way.

- Dismount the rotating union in reverse order to the installation (see Installation).
- Flush the rotating union.
- Collect the dirty flushing media.
- Dispose of the collected flushing media according to the national standards, regulations and directives.
- If you use thermal oil, please observe the instructions of the thermal oil manufacturer.
- Dispose of the rotating union according to the national standards, regulations and directives.

In case of repair, *DEUBLIN* disposes of all used parts.

---

## 11 Spare Parts

---

The rotating unions have a limited service life and include wearing parts.

There are no spare parts to be ordered for the rotating unions.

The function of the rotating unions can only be provided for when all components are adjusted and aligned to each other. Thus, professional overhauling/servicing may only be implemented at *DEUBLIN*.

- Should overhaul/service works be required, please return the rotating unions to *DEUBLIN*.



Info

### Note

Rotating unions and bearingless unions of this series cannot be repaired by the customer himself but must be sent to *DEUBLIN* for repair. Before repaired rotating unions leave the premises, they will be subjected to an operational check. The repaired rotating union is returned with a standard “*DEUBLIN* Warranty” valid for 12 months.

## Reliability

Many years' experience, ongoing liaison with customers, innovations sourced inhouse and from suppliers place *DEUBLIN* in a position providing reliable Rotating Unions at the highest level.

When it comes to concrete applications, maximum service life is guaranteed by matching the sealing to the respective medium.

The service life is also equally maximized by maintaining cleanliness when storing and handling the Rotating Union and by adhering to the guidelines issued by *DEUBLIN* in respect of the conditions on the customer's premises.

### AMERICA

#### DEUBLIN USA

2050 Norman Drive, West  
Waukegan, IL 60085-6747 U.S.A  
Phone: +1 847 689-8600  
Fax: +1 847 689-8690  
e-mail: customerservice@deublin.com

#### DEUBLIN Canada

3090 Boul. Le Carrefour, Suite 505  
Laval, Québec H7T 2J7 Canada  
Phone: +1 514 745-4100  
Fax: +1 514 745-8612  
e-mail: customerservice@deublin.com

#### DEUBLIN Brazil

Rua Santo Antonio, 1426 - Vila Galvão  
Guarulhos, São Paulo Brazil 07071-000  
Phone: +55 11-2455-3245  
Fax: +55 11-2455-2358  
e-mail: deublinbrasil@deublinbrasil.com.br

#### DEUBLIN Mexico

Norte 79-A No. 77, Col. Claveria  
02080 Mexico, D.F.  
Phone: +52 55-5342-0362  
Fax: +52 55-5342-0157  
e-mail: deublin@prodigy.net.mx

### ASIA

#### DEUBLIN China

No. 2, 6<sup>th</sup> DD Street, DD Port Dalian  
Liaoning Province, 116620, P.R. China  
Phone: +86 411-87549678  
Fax: +86 411-87549679  
e-mail: info@deublin.cn

China Merchants Plaza 12<sup>th</sup> Floor,  
Suite (East) 1208, 333 Chengdubei Road  
Shanghai, 200041, P.R. China  
Phone: +86 21-52980791  
Fax: +86 21-52980790  
e-mail: service@deublin.cn

Room 1302, Metro Plaza,  
No. 183 Tian He Bei Road  
GuangZhou, 510620, P.R. China  
Phone: +86 20-87569013  
Fax: +86 20-87569013  
e-mail: service@deublin.cn

#### DEUBLIN Asia Pacific

51 Goldhill Plaza, #11-11/12  
Singapore 308900  
Phone: +65 6259-9225  
Fax: +65 6259-9723  
email: deublin@singnet.com.sg

#### DEUBLIN Japan

2-13-1, Minamihanayashiki  
Kawanishi City 666-0026, Japan  
Phone: +81 72-757-0099  
Fax: +81 72-757-0120  
e-mail: customerservice@deublin-japan.co.jp

2-4-10-3F Ryogoku  
Sumida-Ku, Tokyo 130-0026, Japan  
Phone: +81 35-625-0777  
Fax: +81 35-625-0888  
e-mail: customerservice@deublin-japan.co.jp

#### DEUBLIN Korea

104-11, Ssang-Ryung-Dong  
Kwang-Ju-Si, Kyung-Gi-Do, Korea  
Phone: +82 31-763-3311  
Fax: +82 31-763-3309  
e-mail: customerservice@deublin.co.kr

### EUROPE

#### DEUBLIN Germany

Nassaustraße 10  
65719 Hofheim a. Ts., Germany  
Phone: +49 6122-8002-0  
Fax: +49 6122-15888  
e-mail: info@deublin.de

#### DEUBLIN Italy

Via Guido Rossa 9  
40050 Monteveglio (BO), Italy  
Phone: +39 051-835611  
Fax: +39 051-832091  
e-mail: info@deublin.it

Via Giovanni Falcone 36  
20010 Bareggio (MI), Italy  
Phone: +39 02-90312711  
Fax: +39 02-90278189  
e-mail: info@deublin.it

#### DEUBLIN France

61 bis, Avenue de l'Europe  
Z.A.C de la Malnoue  
77184 Emerainville, France  
Phone: +33 1-64616161  
Fax: +33 1-64616364  
e-mail: service.client@deublin.fr

#### DEUBLIN Spain

Avda. Bogatell 23  
08005 Barcelona, Spain  
Phone: +34 93-2211223  
Fax: +34 93-2212093  
e-mail: deublin@deublin.es

#### DEUBLIN Poland

ul. Kamińskiego 201-219  
51-126 Wrocław, Poland  
Phone: +48 71-3528152  
Fax: +48 71-3207306  
e-mail: info@deublin.pl

#### DEUBLIN Austria

Trazerberggasse 1/2  
1130 Wien, Austria  
Phone: +43 1-8768450  
Fax: +43 1-876845030  
e-mail: info@deublin.at

#### DEUBLIN Finland

Vasarakatu 27  
40320 Jyväskylä, Finland  
Phone: +358 207 290 210  
Fax: +358 207 290 219  
e-mail: info@deublin.fi

#### DEUBLIN Russia

ul. Kosygina, 13, 5<sup>th</sup> entrance, 1st floor  
119334, Moscow, Russia  
Phone: +7 495 647 14 34  
Fax: +7 495 938 89 49  
e-mail: info@deublinrussia.ru

#### DEUBLIN Sweden

Cylindervägen 18, Box 1113  
13 126 Nacka Strand, Sweden  
Phone: +46 8 716 2033  
Fax: +46 8 601 3033  
e-mail: info@deublin.se

#### DEUBLIN United Kingdom

6 Sopwith Park, Royce Close, West Portway  
Andover SP10 3TS, UK  
Phone: +44 1264-333355  
Fax: +44 1264-333304  
e-mail: deublin@deublin.co.uk