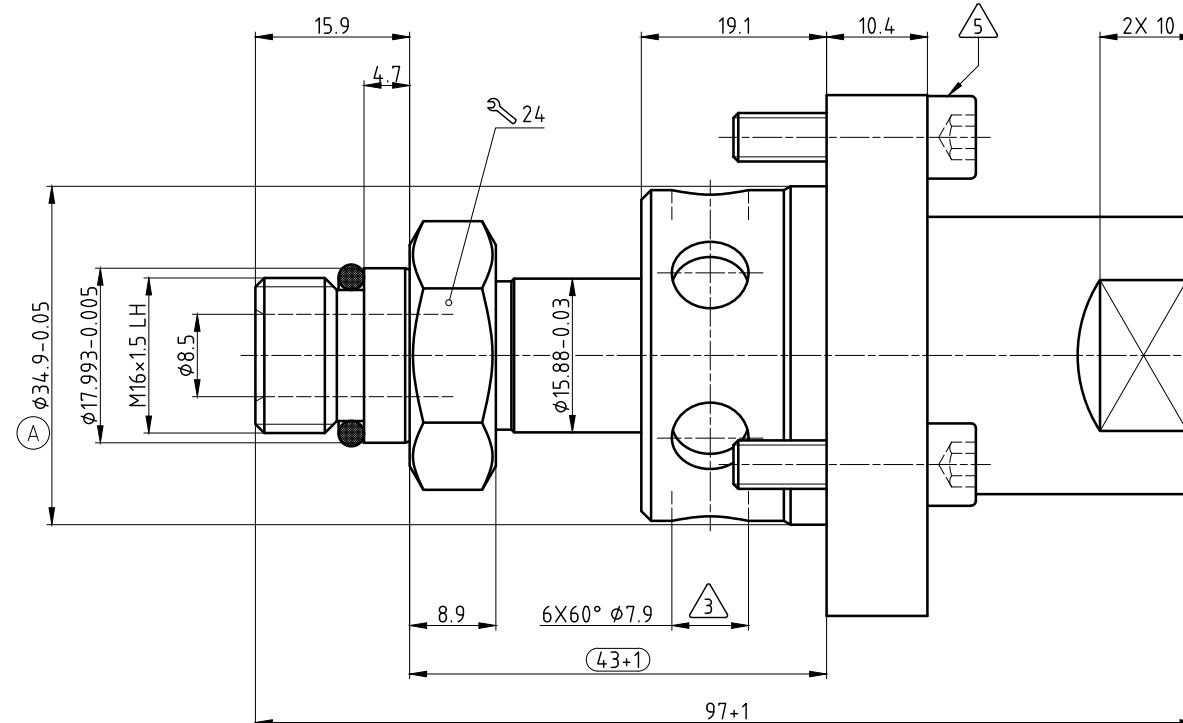
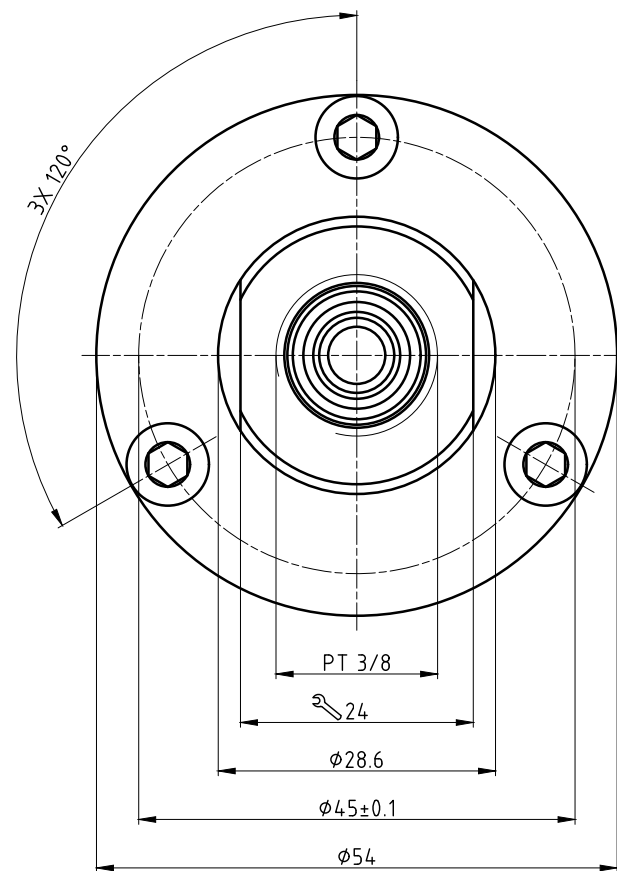
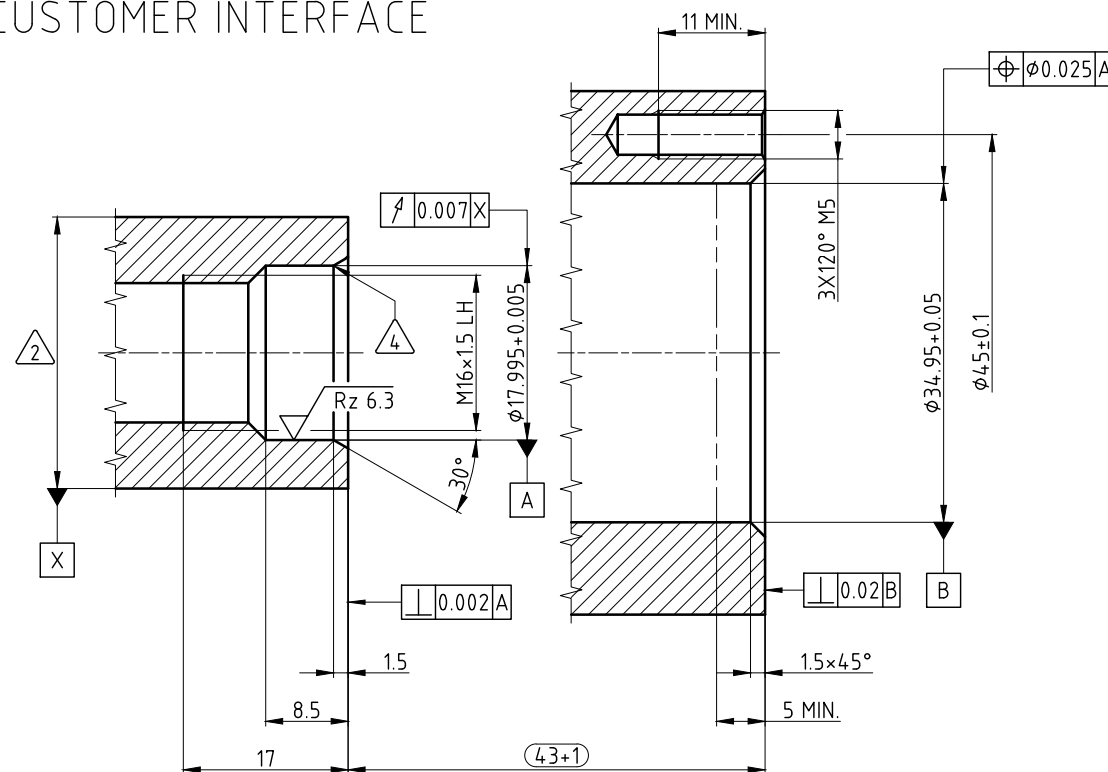


NOTES:

- 1 - CONTACT DEUBLIN OR VISIT WWW.DEUBLIN.COM
 FOR INSTRUCTION MANUAL: 040-557.
- 2 - SPINDLE BEARING ARRANGEMENT.
- 3 - 6X VENT HOLE
- 4 - ROUNDED
- 5 - 3X SCREW M5x20 SUPPLIED BY DEUBLIN.



CUSTOMER INTERFACE



OPERATING DATA			
MEDIA		COOLANT	AIR/MQL
PRESSURE	MAXIMUM	140 bar	10 bar
	MINIMUM	4 bar	3 bar
MAXIMUM SPEED		30000 min ⁻¹	30000 min ⁻¹
FLOW RATE	MAXIMUM	37.7 l/min	1480 Nl/min
	MINIMUM	6 l/min	360 Nl/min
TEMPERATURE	MAXIMUM	70 °C	70 °C
	MINIMUM	5 °C	5 °C
AXIAL FORCE		9.5 N/bar	
DRY RUN		UNLIMITED	

DEUBLIN
 Engineered for Performance

PROJECTION:

SCALE: 2:1

MATERIAL: INTERFACE CONTROL DRAWING

TITLE: DEUBLIN BEARINGLESS UNION
 DEUBLIN Dichtungssatz

NO. 1124-036-301

SHEET A2

DRN.	19.01.2015	FD
ENGR.	19.01.2015	CW
APPD.		

UNLESS SPECIFICALLY TOLERANCED, ALL DIMENSIONS ARE CONSIDERED REFERENCE