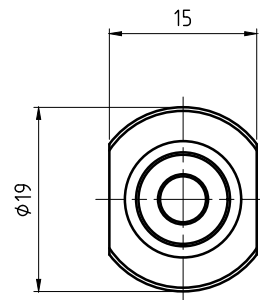


CONFIDENTIAL
THIS DOCUMENT CONTAINS CONFIDENTIAL AND PROPRIETARY INFORMATION OF DEUBLIN COMPANY. COPYING, USE, TRANSMISSION, DISTRIBUTION, AND DISCLOSURE ARE SUBJECT TO THE TERMS AND CONDITIONS CONTAINED IN YOUR AGREEMENT WITH DEUBLIN COMPANY. ALL RIGHTS RESERVED.

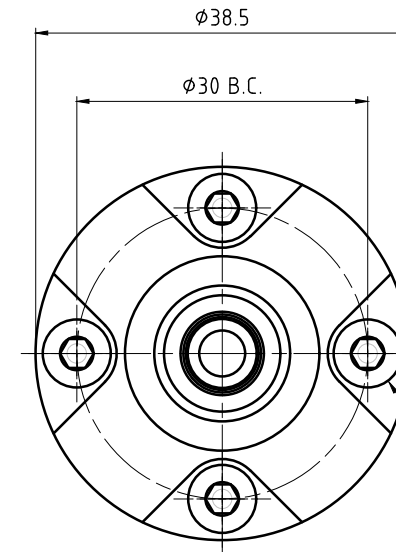
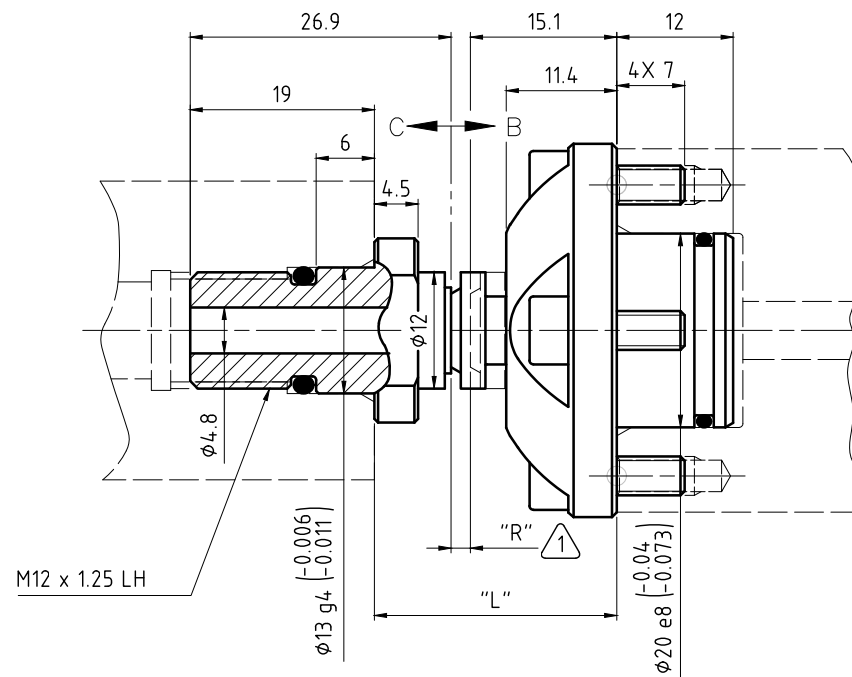
Ø20	e8	-0.04 -0.073	19.96 19.927
Ø20	H8	+0.033 0	20.033 20
Ø13	g4	-0.006 -0.011	12.994 12.989
Ø13	H4	+0.005 0	13.005 13
Dimen.	Fit		

NOTES:

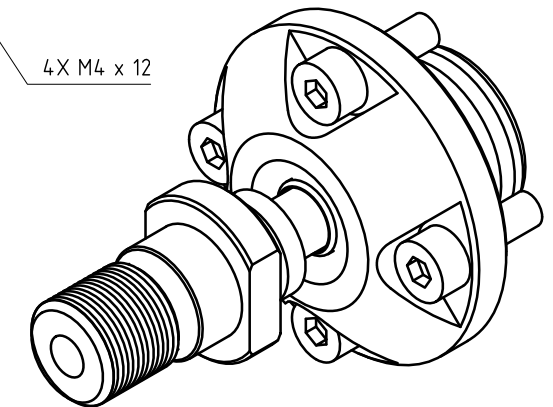
- 1 - FLOATING SEAL ASSEMBLY ACTUATION DISTANCE.
- 2 - MQL AND AIR FUNCTION IN A CONTROLLED LEAKAGE CONDITION.



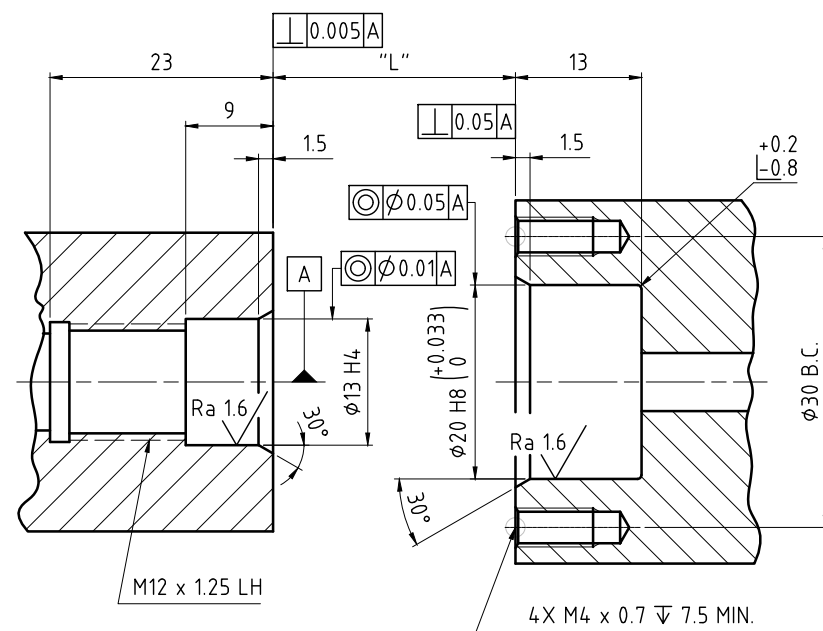
VIEW "C"



VIEW "B"



"L" MOUNTING DIM. ±0.25mm	"R" WORKING RANGE (REF.)
31mm	8mm
29mm	6mm
27mm	4mm
25mm	2mm



CUSTOMER INTERFACE

OPERATING DATA			
MEDIA		COOLANT	MQL OR AIR
PRESSURE	MAXIMUM	140 bar	10 bar
	MINIMUM	3 bar	3 bar
FLOW RATE	MAXIMUM	24.3 L/min	19.6 L/sec
	MINIMUM	3 L/min	6 L/sec
TEMPERATURE	MAXIMUM	71 °C	71 °C
	MINIMUM	5 °C	5 °C
MAXIMUM SPEED		50000 min ⁻¹	50000 min ⁻¹
AXIAL FORCE		3.8 N/bar	
DRY RUN		YES	



SCALE: 2:1
MATERIAL:

DATE	NAME
DRN. 08/30/2007	LG
ENGR.	
APPD.	

TITLE: **INTERFACE CONTROL DRAWING
DEUBLIN BEARINGLESS UNION**

NO.	DATE	SIGN	DESCRIPTION
B	002917	08/08	AL INCREASED MAX SPEED
A	8665	10/07	JK REVISED CHART, PILOT
ISSUE	MODIFICATION	ECO	DATE SIGN

NO. **1154-003-137**
SHEET

UNLESS SPECIFICALLY TOLERANCED, ALL DIMENSIONS ARE CONSIDERED REFERENCE