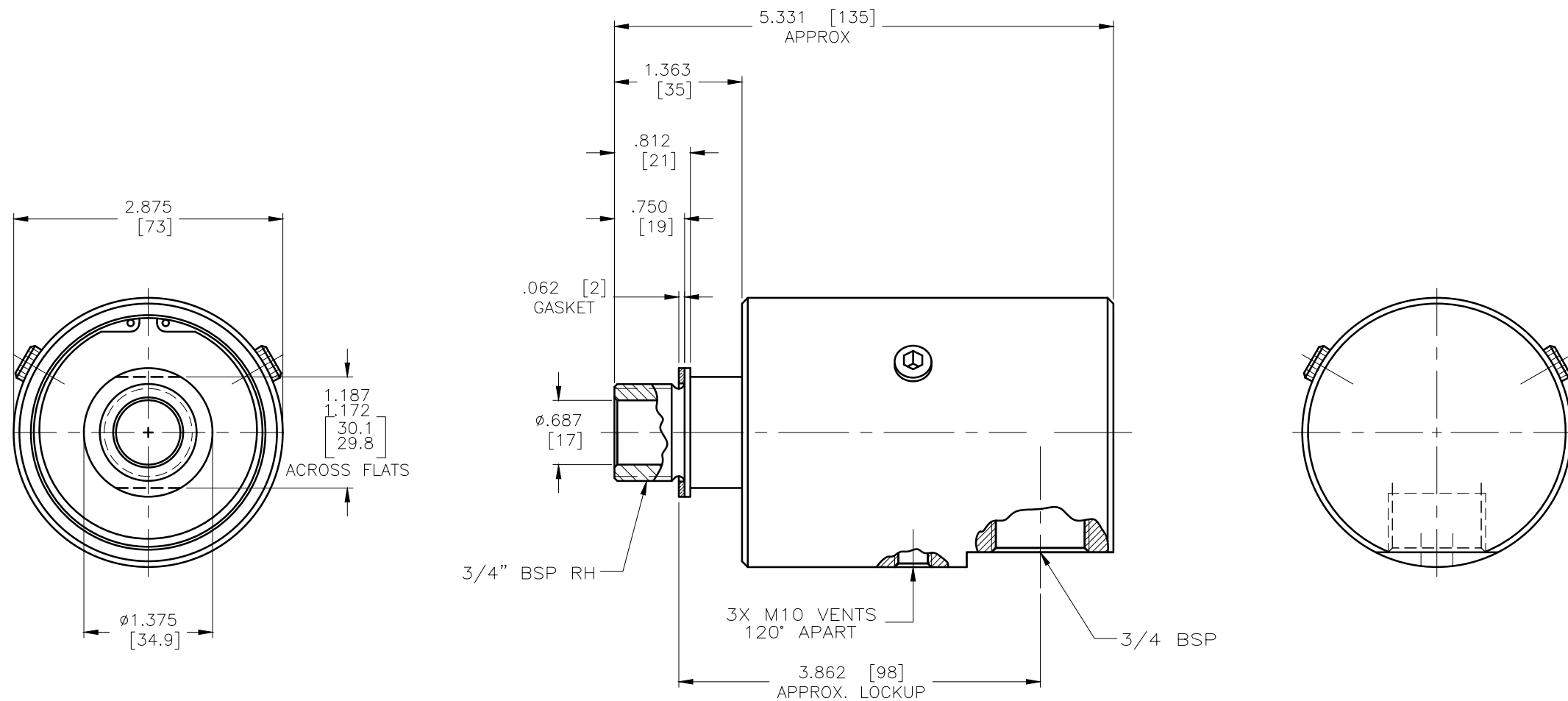


NOTES:  
 1 - WHEN ORDERING FROM DEUBLIN USE PART NUMBER: 254-000-110.



CONFIDENTIAL  
 THIS DOCUMENT CONTAINS CONFIDENTIAL AND PROPRIETARY INFORMATION OF DEUBLIN COMPANY. COPYING, USE, TRANSMISSION, DISTRIBUTION, AND DISCLOSURE ARE SUBJECT TO THE TERMS AND CONDITIONS CONTAINED IN YOUR AGREEMENT WITH DEUBLIN COMPANY. ALL RIGHTS RESERVED.

SCALE	FULL	DWG SIZE	C
DRN	RM	08/20/07	
ENGR	TW	08/20/07	
APPD	TW	08/20/07	
PART NO.			
254-000-110			
CUSTOMER			
LET.	REVISION	ECO	DATE SIGN

UNLESS SPECIFICALLY TOLERANCED, ALL DIMENSIONS ARE REFERENCE  
 DIMENSIONS IN [ ] ARE IN MILLIMETERS.

**DEUBLIN** COMPANY  
 WAUKEGAN, ILLINOIS, U.S.A.

TITLE: INTERFACE CONTROL  
 DRAWING FOR DEUBLIN  
 UNION 254-000-110

DWG. NO. 254-000-110  
 C.A.D. DRAWING