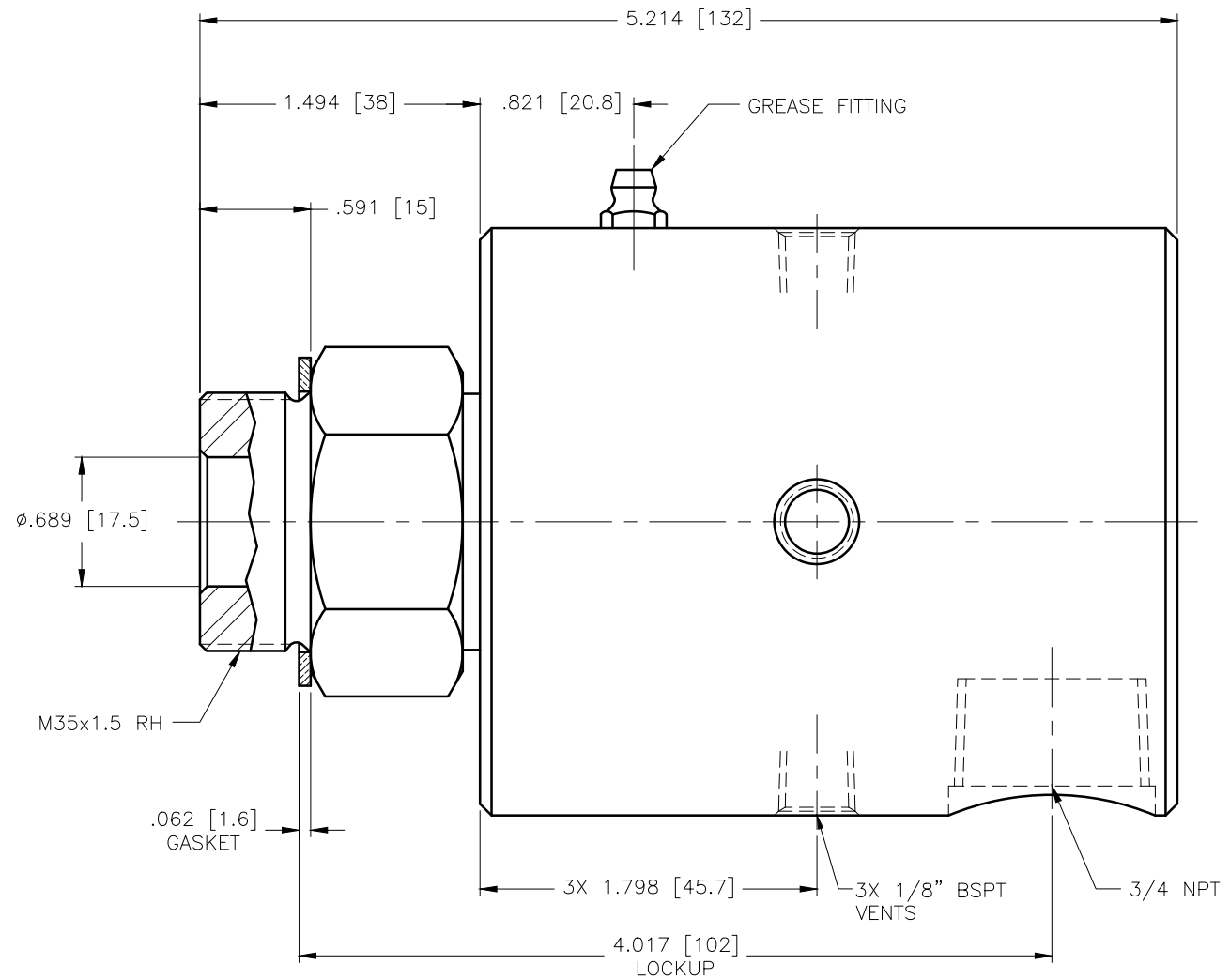
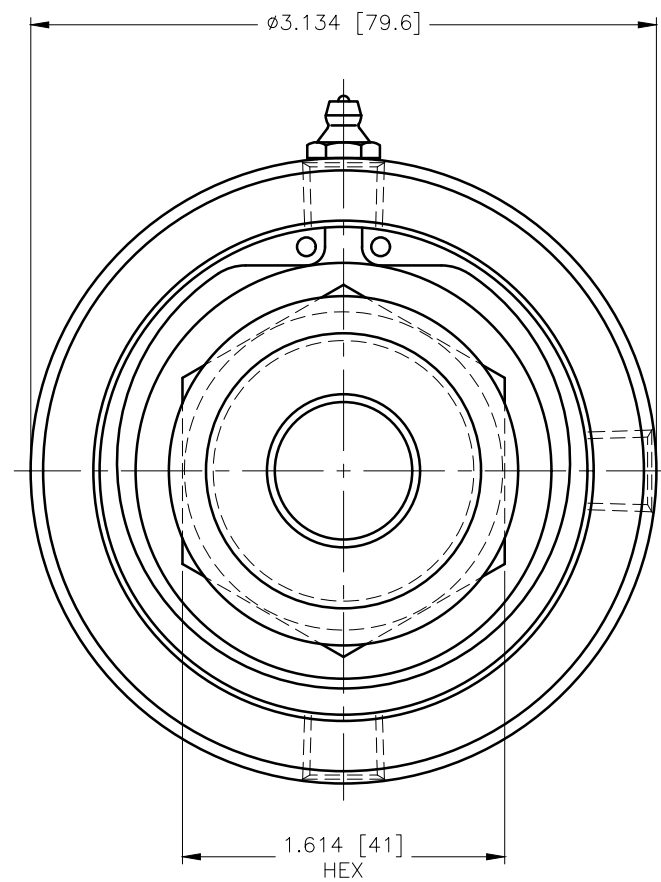
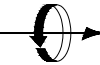


CONFIDENTIAL
 THIS DOCUMENT CONTAINS CONFIDENTIAL AND PROPRIETARY INFORMATION OF DEUBLIN COMPANY. COPYING, USE, TRANSMISSION, DISTRIBUTION, AND DISCLOSURE ARE SUBJECT TO THE TERMS AND CONDITIONS CONTAINED IN YOUR AGREEMENT WITH DEUBLIN COMPANY. ALL RIGHTS RESERVED.



OPERATING DATA:
 AIR-VACUUM-HYDRAULIC SERVICE
 150 P.S.I. (10 bar) MAX.AIR SERVICE
 28" Hg (6,7 KPa) MAX.VACUUM SERVICE
 1000 P.S.I. (68,9bar) MAX.HYDRAULIC SERVICE
 3500 R.P.M. (3500/MIN) MAX.SPEED
 250°F. (121°C.) MAX.TEMPATURE

SCALE	1.6667:1	DWG SIZE		UNLESS SPECIFICALLY TOLERANCED, ALL DIMENSIONS ARE REFERENCE	 DEUBLIN COMPANY WAUKEGAN, ILLINOIS, U.S.A.
DRN	NR	06/11/09			
ENGR	TW	06/11/09			
APPD	TW	06/11/09			
PART NO.	255-428-014			DIMENSIONS IN [] ARE IN MILLIMETERS.	TITLE: INTERFACE CONTROL DRAWING OF DEUBLIN UNION 255-428-014 DWG NO. C.A.D DRAWING 255-428-014
CUSTOMER					
LET.	REVISION	ECO	DATE	SIGN	