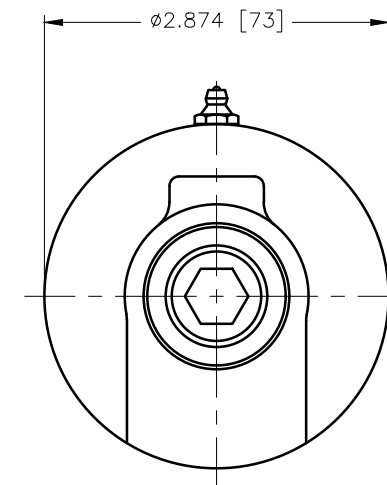
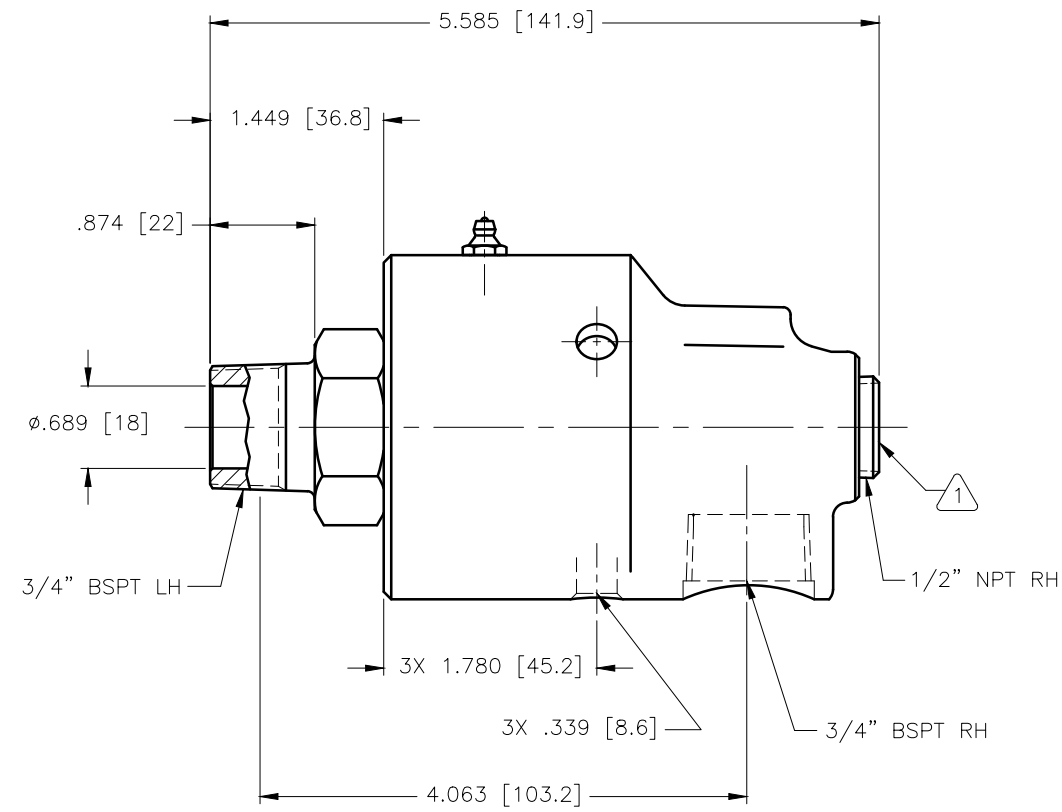
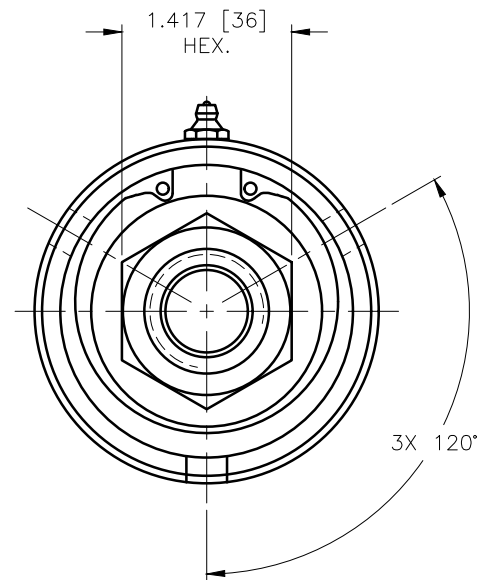


CONFIDENTIAL
 THIS DOCUMENT CONTAINS CONFIDENTIAL AND PROPRIETARY INFORMATION OF DEUBLIN COMPANY. COPYING, USE, TRANSMISSION, DISTRIBUTION, AND DISCLOSURE ARE SUBJECT TO THE TERMS AND CONDITIONS CONTAINED IN YOUR AGREEMENT WITH DEUBLIN COMPANY. ALL RIGHTS RESERVED.

NOTES:

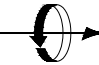
① - PLUG INSTALLED HAND TIGHT FROM FACTORY. IF PORT IS NOT UTILIZED, TIGHTEN BEFORE USE.



Ⓐ OPERATING DATA				
MEDIA		WATER	SATURATED STEAM	HOT OIL
PRESSURE	MAXIMUM	50 bar	1 bar (intermittent)	6.6 bar
TEMPERATURE	MAXIMUM	121 °C	121 °C	121 °C
SPEED	MAXIMUM	1500 min ⁻¹	1500 min ⁻¹	1500 min ⁻¹
FLOW RATE	MAXIMUM	51 L/min	- L/min	51 L/min
DRY RUN		NO		

SCALE	1 = 1	DWG SIZE	
DRN	NR	05/18/09	
ENGR	TW	05/18/09	
APPD	TW	05/18/09	
PART NO.	255-900-718		
CUSTOMER			
LET.	REVISION	ECO	DATE SIGN
A	ADDED OPERATING DATA	049442	10/18 NR

UNLESS SPECIFICALLY TOLERANCED, ALL DIMENSIONS ARE REFERENCE DIMENSIONS IN [] ARE IN MILLIMETERS.



DEUBLIN COMPANY
 WAUKEGAN, ILLINOIS, U.S.A.

TITLE:	INTERFACE CONTROL DRAWING OF DEUBLIN UNION 255-900-718
DWG NO.	255-900-718
C.A.D. DRAWING	