
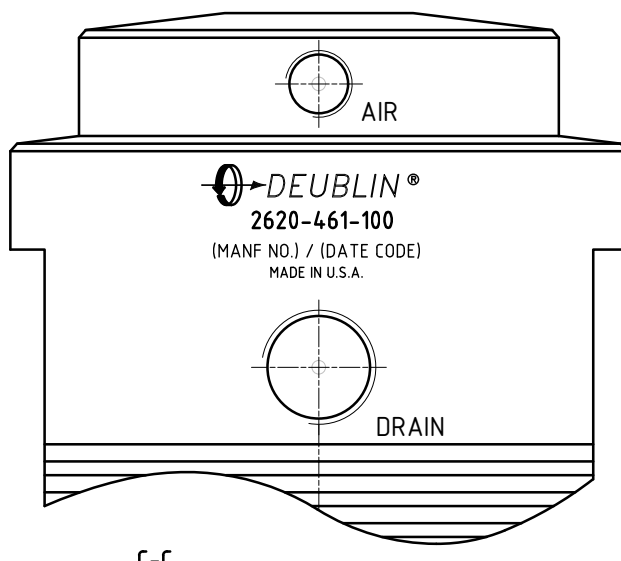
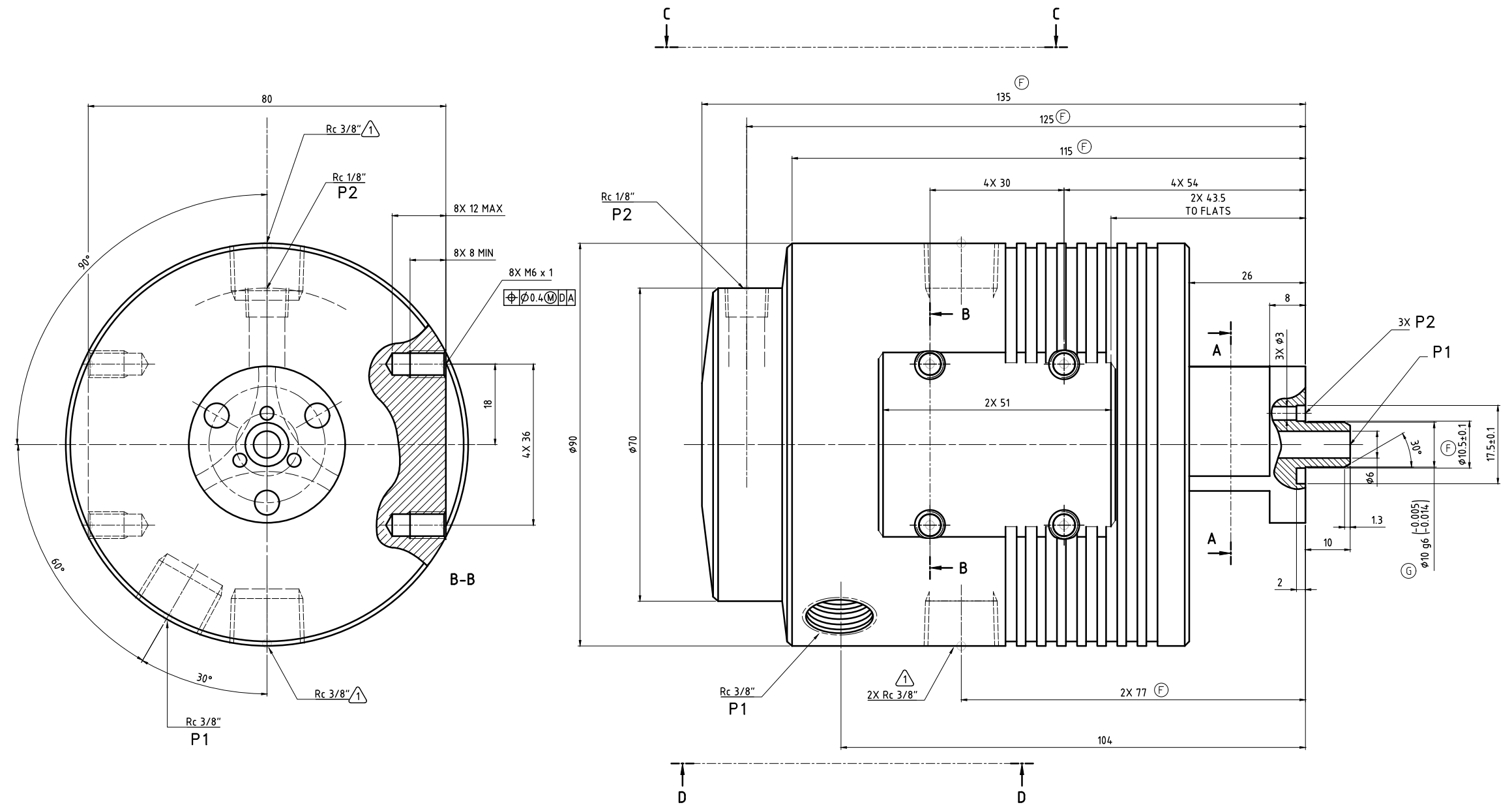
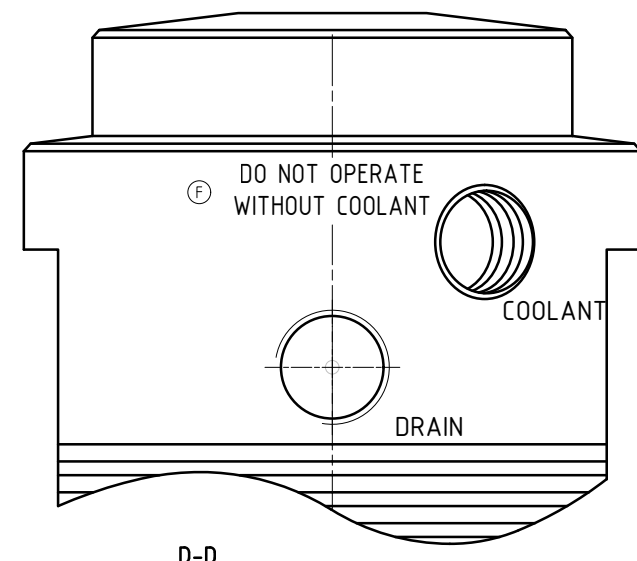


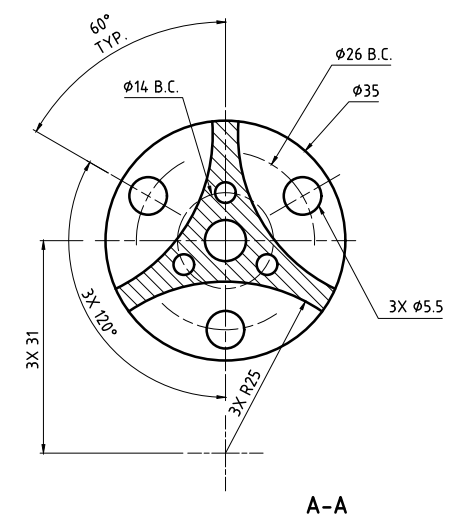
NOTES:  
 DRAIN.



C-C




D-D



A-A

| OPERATING DATA |         |   |            |
|----------------|---------|---|------------|
| PASSAGE        |         | P1 - INNER                              | P2 - OUTER |
| MEDIA          |         | COOLANT                                 | AIR        |
| PRESSURE       | MAXIMUM | 70 bar                                  | 10 bar     |
|                | MINIMUM | -                                       | -          |
| FLOW RATE      | MAXIMUM | 69 L/min                                | 30 L/sec   |
|                | MINIMUM | -                                       | -          |
| TEMPERATURE    | MAXIMUM | 71 °C                                   | 71 °C      |
|                | MINIMUM | 5 °C                                    | 5 °C       |
| MAXIMUM SPEED  |         | 12000/min                               |            |
| DRY RUN        |         | NO                                      |            |
| FILTRATION     |         | ISO 4406 CLASS 17/15/12, MAX. 60 MICRON |            |

|   |  |  |
|---|--|--|
| <br>Engineered for Performance | PROJECTION   | SCALE: 2:1   |
|   | DATE: 02/28/2006<br>NAME: galindolm<br>DRN: ENGR.<br>APPD: | TITLE: INTERFACE CONTROL DRAWING<br>DEUBLIN UNION 2620-461-100 |
| UNLESS SPECIFICALLY TOLERANCED, ALL DIMENSIONS ARE CONSIDERED REFERENCE   |  | NO. 2620-461-100   |