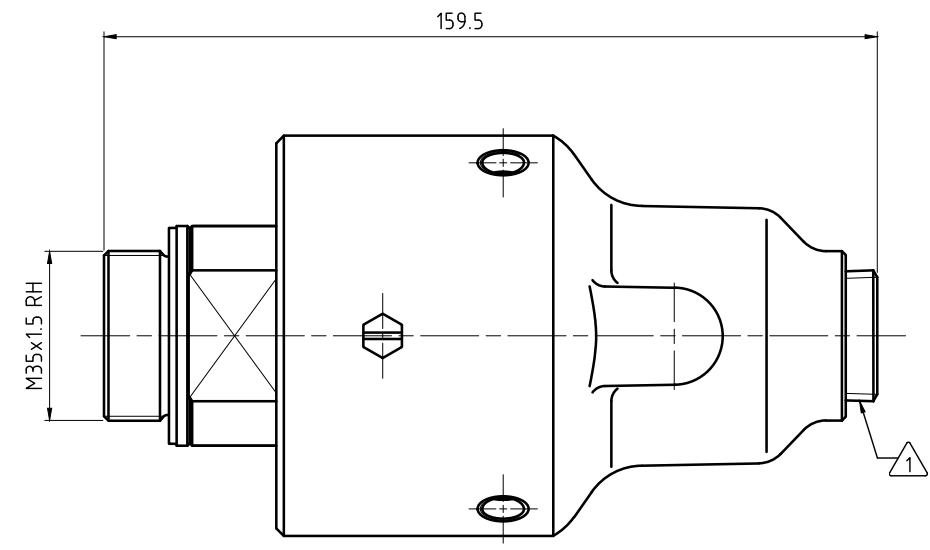
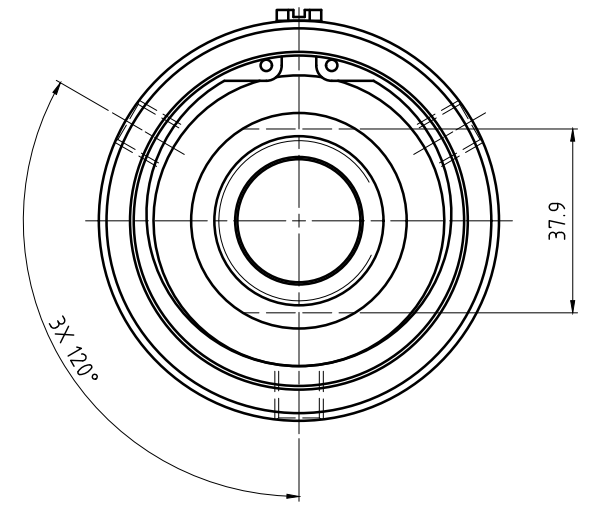
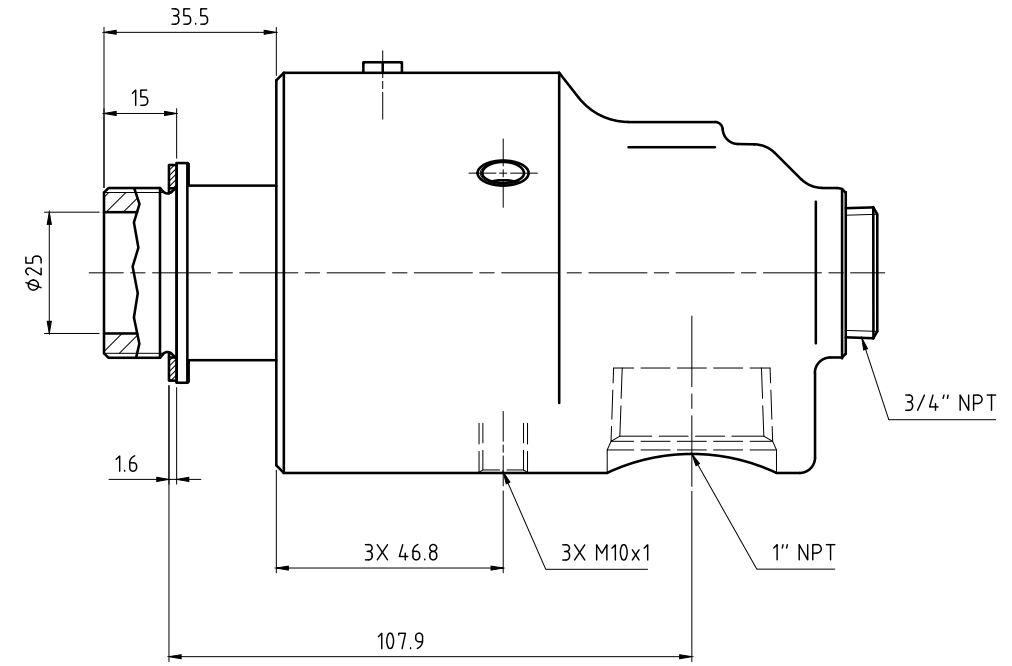
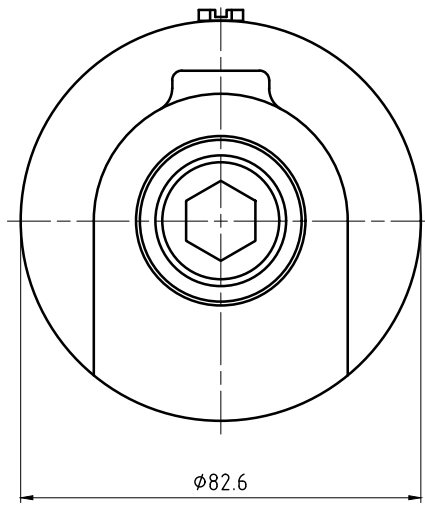


CONFIDENTIAL
 THIS DOCUMENT CONTAINS CONFIDENTIAL AND PROPRIETARY
 INFORMATION OF DEUBLIN COMPANY. COPYING, USE,
 TRANSMISSION, DISTRIBUTION, AND DISCLOSURE ARE SUBJECT
 TO THE TERMS AND CONDITIONS CONTAINED IN YOUR
 AGREEMENT WITH DEUBLIN COMPANY. ALL RIGHTS RESERVED.

NOTES:

① - PLUG INSTALLED HAND TIGHT FROM FACTORY. IF PORT IS NOT UTILIZED,
 TIGHTEN BEFORE USE.



OPERATING DATA		
MEDIA	WATER	
MAX WATER PRESSURE	150 PSI	10 bar
MAX WATER TEMP.	200°F	93°C
MAX SPEED	3000 RPM	3000/min

		PROJECTION:	SCALE: 1:1
		MATERIAL: INTERFACE CONTROL DRAWING	
		DATE: 07/25/13 NAME: N. Reyna	TITLE: DEUBLIN UNION
		ENGR. 07/25/13 NAME: T. Wilson	
		APPD.	
		NO. 357-051-235	
		SHEET A2	
ISSUE	MODIFICATION	ECO	DATE
			SIGN

UNLESS SPECIFICALLY TOLERANCED, ALL DIMENSIONS ARE CONSIDERED REFERENCE