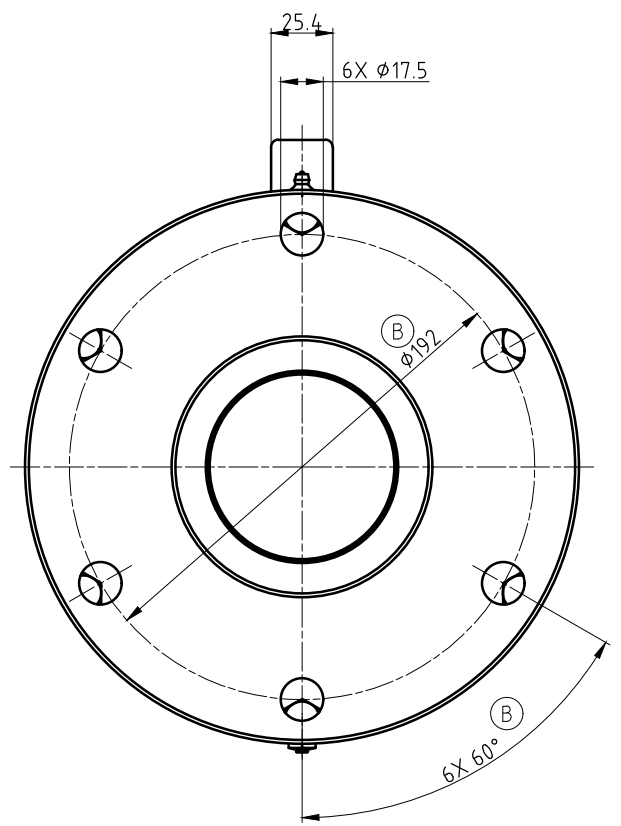
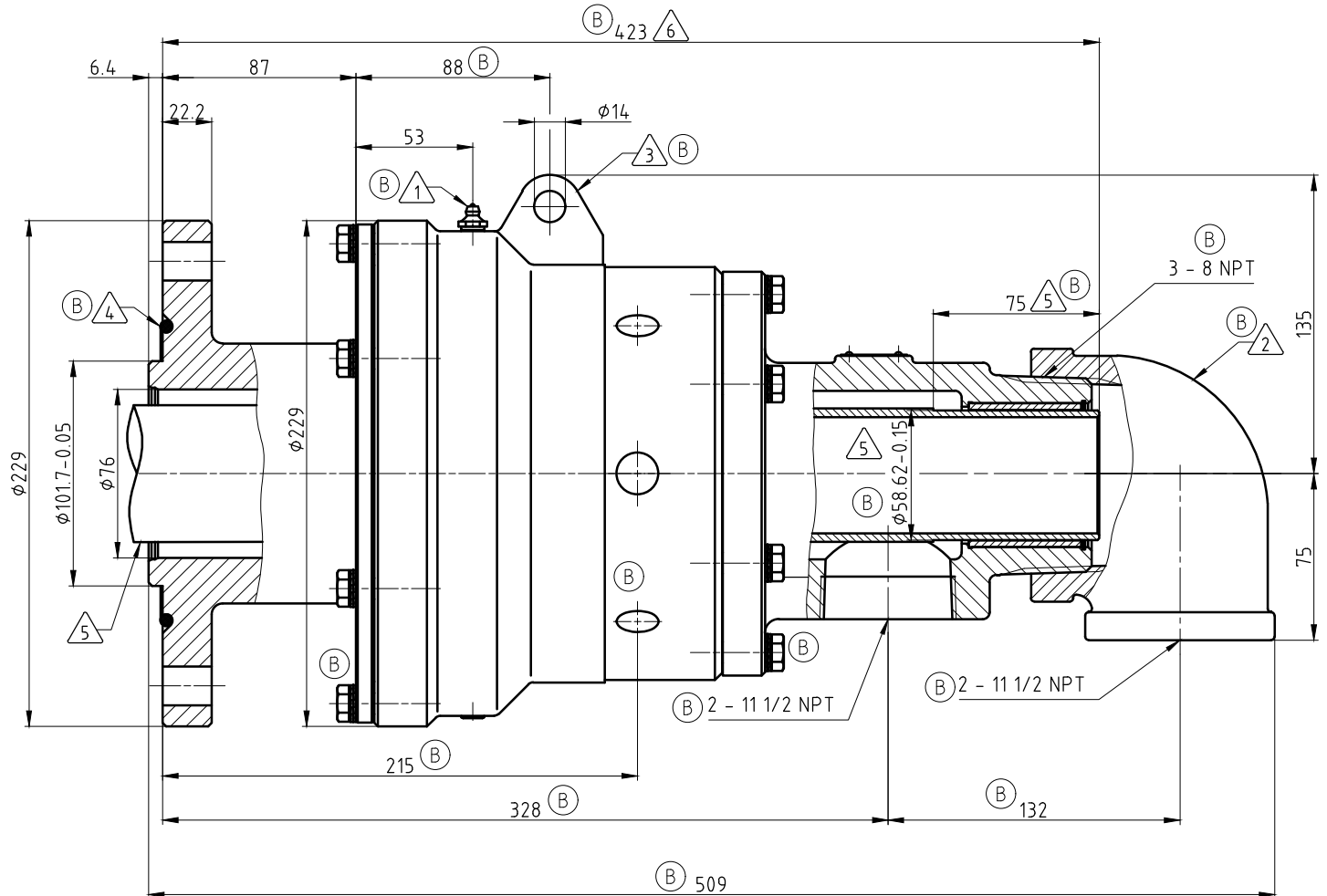
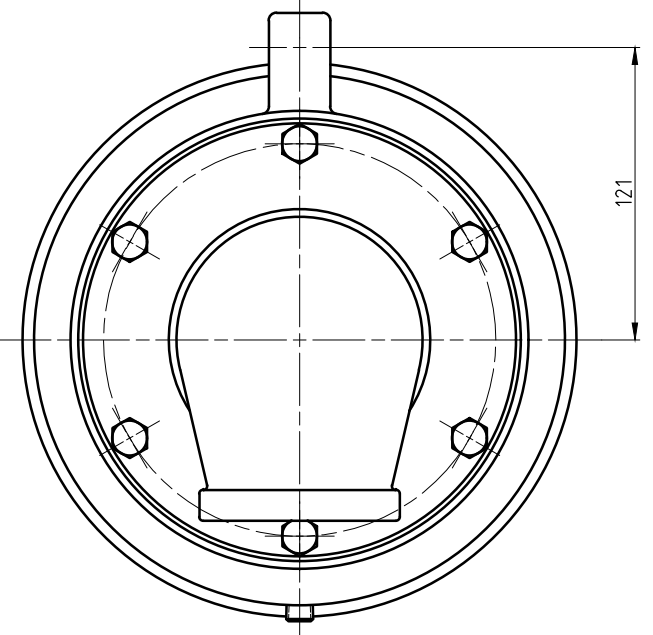
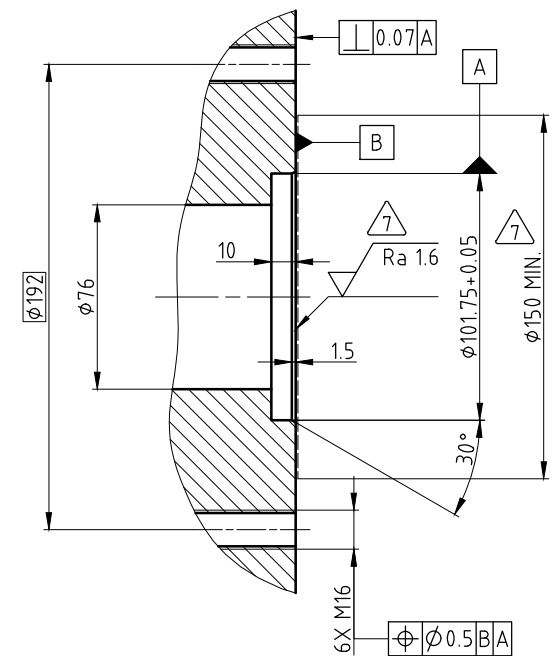


NOTES:

- (B) 1 - CONTACT DEUBLIN OR VISIT WWW.DEUBLIN.COM FOR INSTRUCTION MANUAL: 040-561
- (B) 2 - ELBOW INCLUDED WITH UNION UNASSEMBLED.
- (B) 3 - TORQUE LUG PROVIDED FOR ANTI-ROTATION. DO NOT RESTRICT MOVEMENT OF UNION.
- (B) 4 - O-RING SIZE: 2-353  
SUGGESTED O-RING MATERIAL: FKM
- (B) 5 - PIPE SUPPLIED BY CUSTOMER. PIPE SIZE: 2"
- (B) 6 - PIPE LENGTH.
- (B) 7 - SURFACE FINISH APPLIES WITHIN INDICATED AREA ONLY.



CUSTOMER INTERFACE (B)



OPERATING DATA	
MEDIA	WATER
PRESSURE MAX.	10 bar
SPEED MAX.	750 min <sup>-1</sup>
TEMPERATURE MAX.	135 °C
DRY RUN (WITHOUT ANY MEDIA)	NO
RECOMMENDED FILTRATION	60 micron
FLOW MAX	681 L/min
TORQUE	10.9 Nm

**DEUBLIN**  
 HOERBIGER Rotary Solutions

PROJECTION:	DATE	NAME
	DRN. 20.07.01	Ch. Wolf
	ENGR. 20.07.01	H.J. Huhn
	APPD.	

B	UPDATE DRW	62551	08/22	RMka
A	REMOVED FLOW RATE	013867	05/11	NR
ISSUE	MODIFICATION	ECO	DATE	SIGN

UNLESS SPECIFICALLY TOLERANCED, ALL DIMENSIONS ARE CONSIDERED REFERENCE

SCALE: 1:2  
 MATERIAL: INTERFACE CONTROL DRAWING

TITLE: DEUBLIN UNION

NO. 6300-607-103

SHEET A2