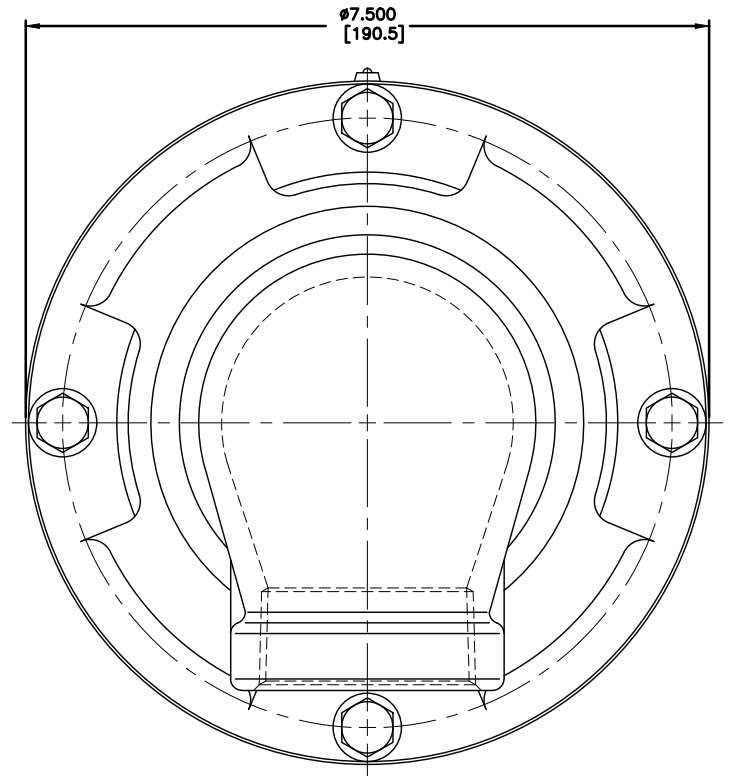
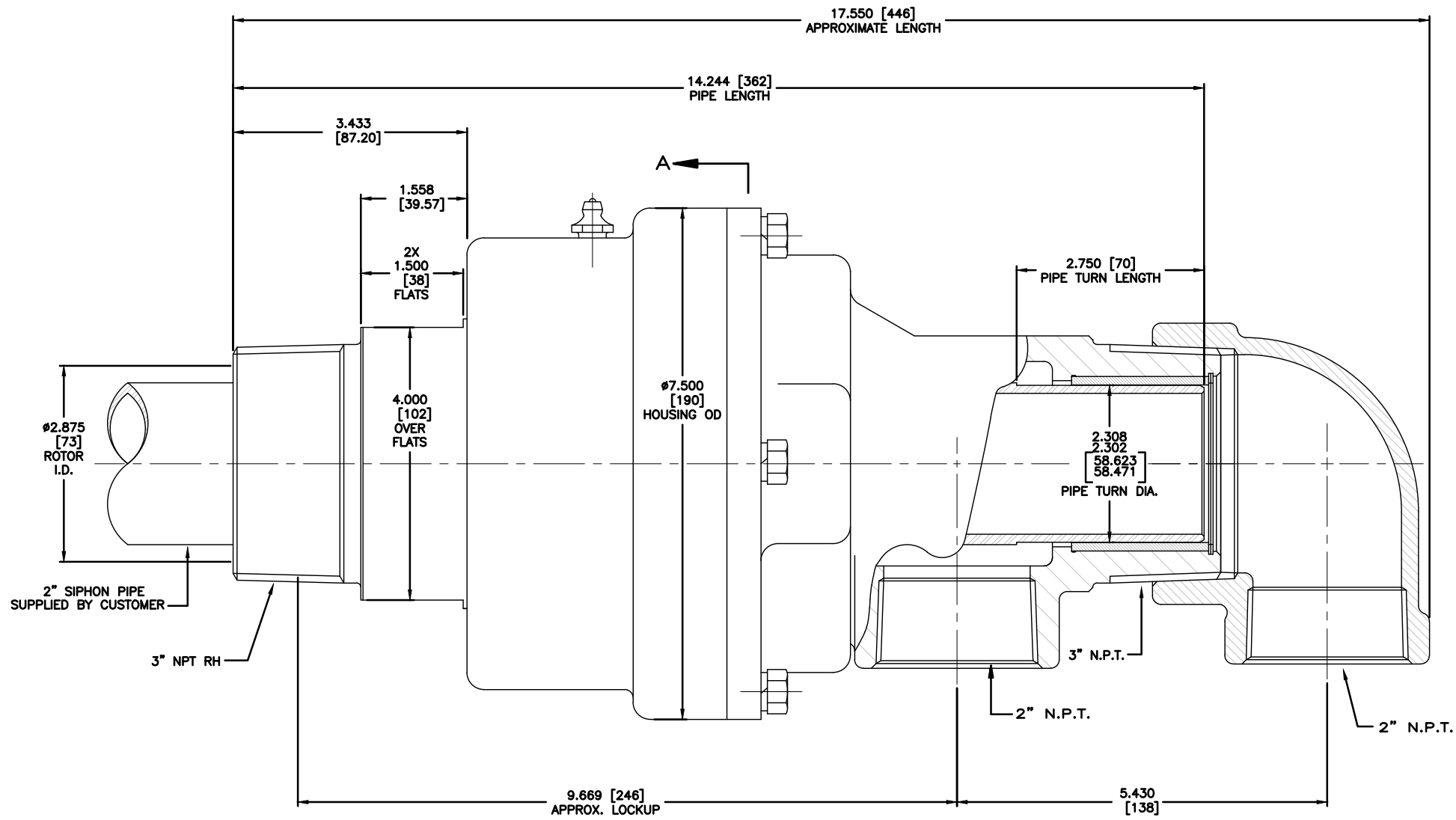


NOTES:
 1 - WHEN ORDERING FROM DEUBLIN USE PART NUMBER: 857-002-101.Ⓐ



OPERATING DATA:
 WATER/INTERMITTANT SATURATED
 STEAM SERVICE
 150 P.S.I. (10bar) MAX.WATER PRESSURE
 15 P.S.I. (1 bar) MAX. INTERMITTANT
 SATURATED STEAM PRESSURE
 500 R.P.M. (500/MIN) MAX.SPEED
 250°F (121°C) MAX.TEMPERATURE

CONFIDENTIAL
 THIS DOCUMENT CONTAINS PROPRIETARY INFORMATION
 AND IS NOT TO BE TRANSMITTED, REPRODUCED, USED
 OR DISCLOSED TO ANYONE WITHOUT THE WRITTEN PER-
 MISSION OF THE DEUBLIN COMPANY.

EQUIPMENT REF:		DATE	BY	CHKD
ASSY/TEST FEATURES REQUIRED:		DATE	BY	CHKD
UNTOLERANCED DIMENSIONS ±.010 DECIMALS AS SPECIFIED. DIMENSIONS IN [] ARE IN MILLIMETERS.		DATE	BY	CHKD
LET. REVISION		DATE	BY	CHKD

DEUBLIN COMPANY
 WAUKEGAN, ILLINOIS, U.S.A.
 INTERFACE CONTROL
 DRAWING FOR UNION
 857-002-101
 857-002-101-IC