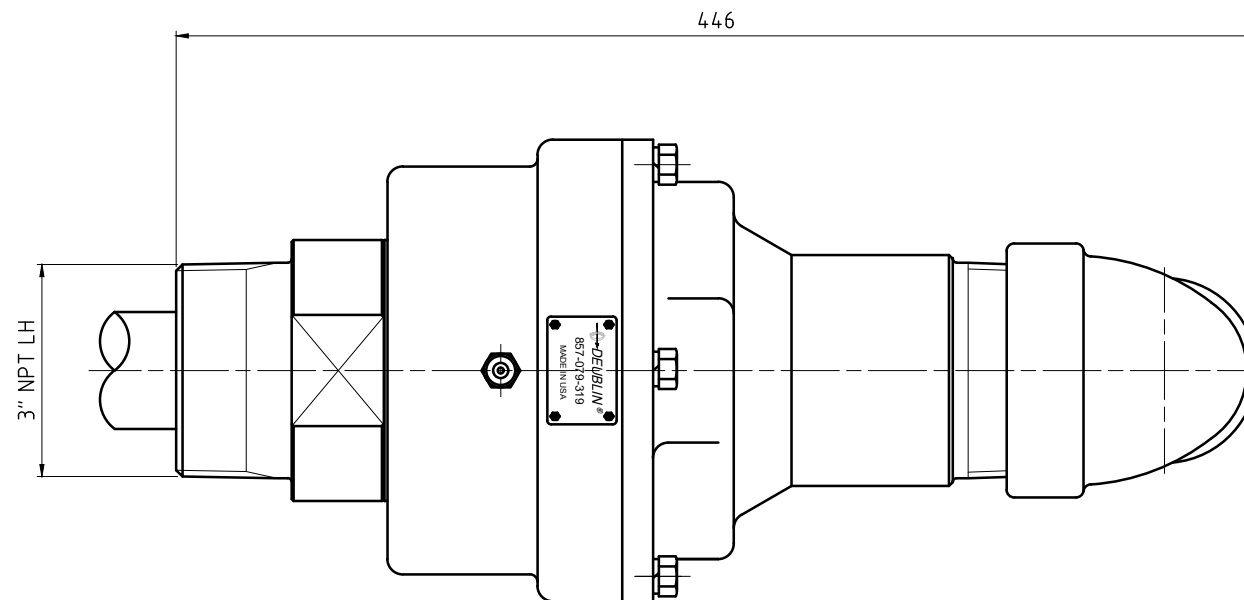
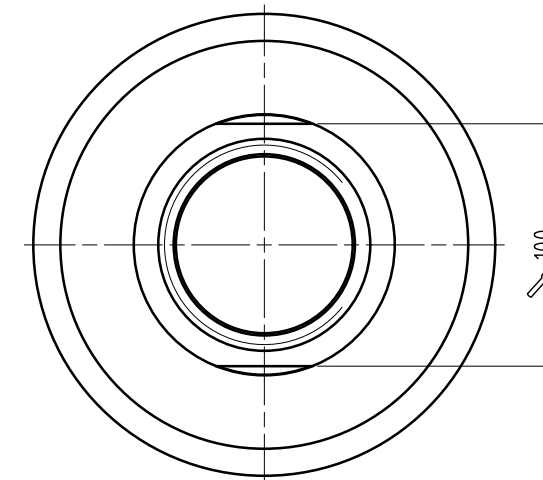
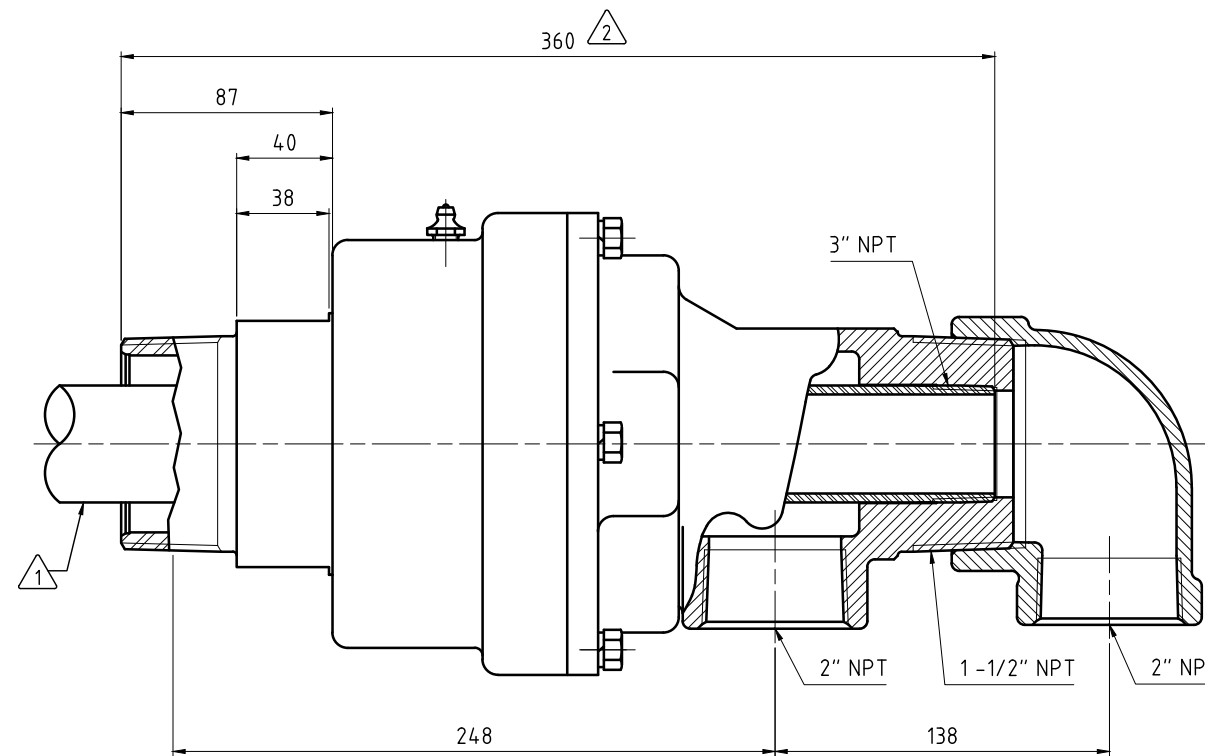
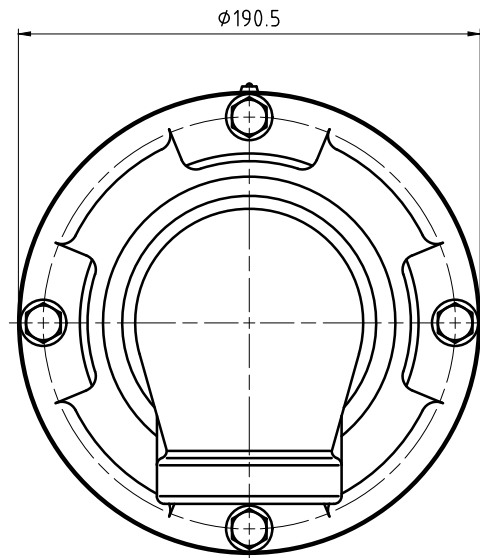


CONFIDENTIAL  
 THIS DOCUMENT CONTAINS CONFIDENTIAL AND PROPRIETARY  
 INFORMATION OF DEUBLIN COMPANY. COPYING, USE,  
 TRANSMISSION, DISTRIBUTION, AND DISCLOSURE ARE SUBJECT  
 TO THE TERMS AND CONDITIONS CONTAINED IN YOUR  
 AGREEMENT WITH DEUBLIN COMPANY. ALL RIGHTS RESERVED.

NOTES:

- ① - PIPE SUPPLIED BY CUSTOMER.
- ② - PIPE LENGTH.



**OPERATING DATA:**  
 WATER/INTERMITTANT SATURATED  
 STEAM SERVICE  
 150 P.S.I. (10bar) MAX. WATER PRESSURE  
 50 P.S.I. (3.4 bar) MAX. INTERMITTANT  
 SATURATED STEAM PRESSURE  
 500 R.P.M. (500/MIN) MAX. SPEED  
 250°F (121°C) MAX. TEMPERATURE

		PROJECTION:		SCALE: 1:2	
		MATERIAL:		INTERFACE CONTROL DRAWING	
		DATE	NAME	TITLE:	
		DRN. 09/16/16	N. Reyna	DEUBLIN UNION	
		ENGR. 09/16/16	T. Wilson		
		APPD.			
UNLESS SPECIFICALLY TOLERANCED, ALL DIMENSIONS ARE CONSIDERED REFERENCE				NO. 857-004-102	
ISSUE	MODIFICATION	ECO	DATE	SIGN	SHEET A1