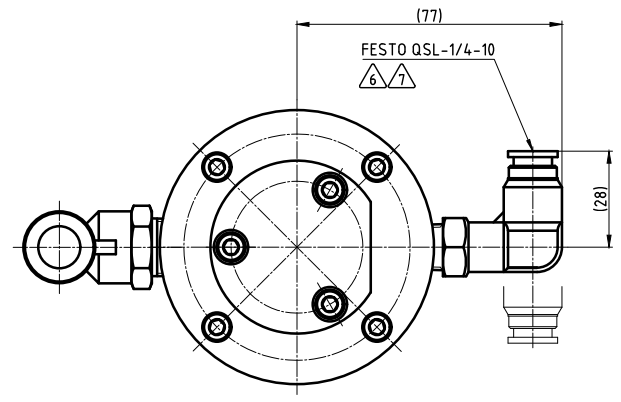
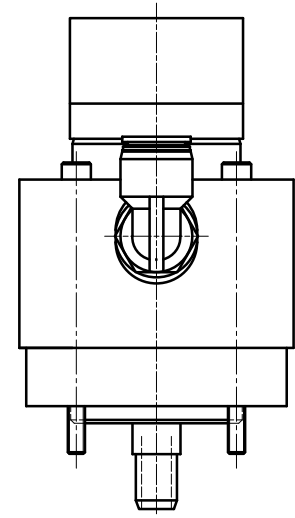
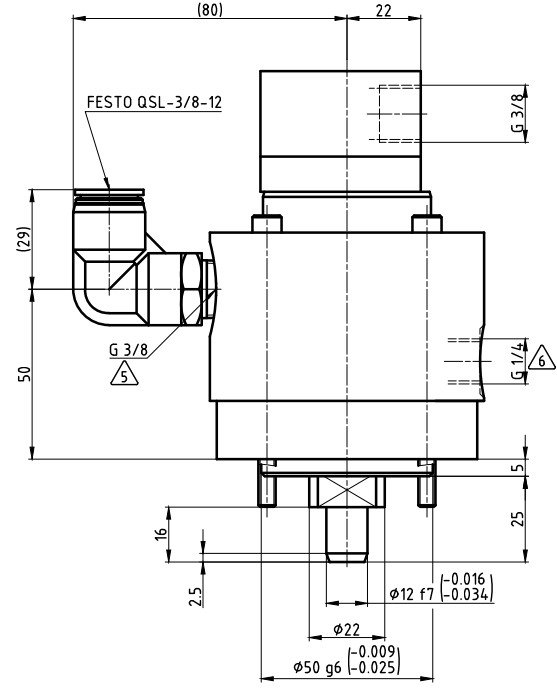
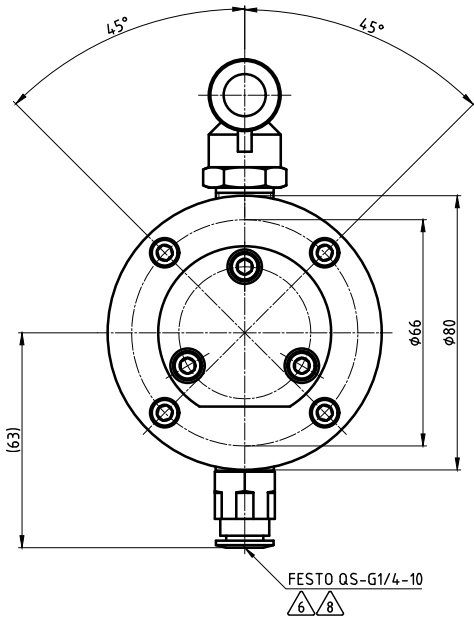
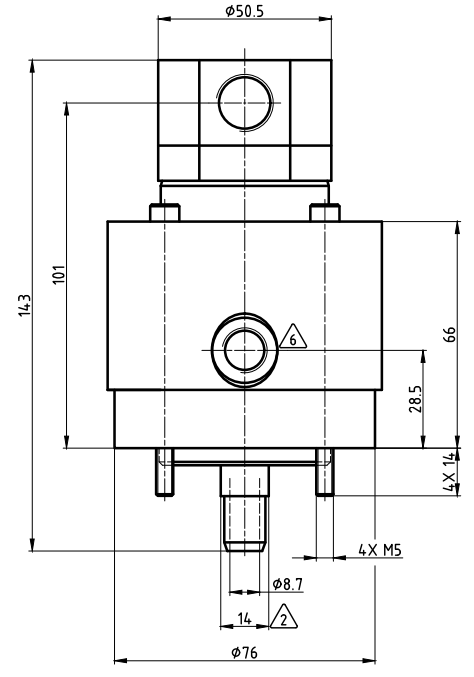
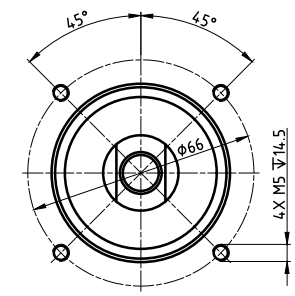
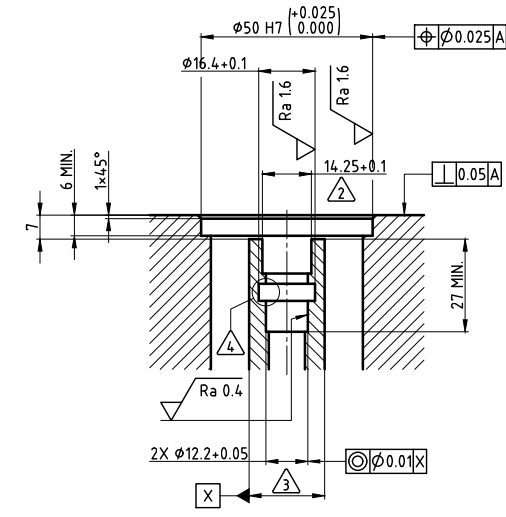


- NOTES:
- 1 - CONTACT DEUBLIN OR VISIT WWW.DEUBLIN.COM FOR INSTRUCTION MANUAL: 040-553.
 - △ - ACROSS FLATS
 - △ - SPINDLE BEARING ARRANGEMENT
 - △ - GROOVE, SUITABLE FOR O-RING 12.37x2.62 (-112) & BACKUP RING (SUPPLIED BY CUSTOMER).
 - △ - VENT CONNECTION
 - △ - DRAIN CONNECTION
 - △ - OPTIONAL: STRAIGHT FITTING FESTO QS-G1/4-10 (SUPPLIED BY DEUBLIN).
 - △ - OPTIONAL: ELBOW FITTING FESTO QSL-1/4-10 (SUPPLIED BY DEUBLIN).

CUSTOMER INTERFACE



OPERATING DATA					
MEDIA		COOLANT	CUTTING OIL (max. 15 mm ² /s)	MQL	AIR
MEDIA PRESSURE	MAXIMUM	140 bar	140 bar	10 bar	10 bar
	MINIMUM	1 bar	1 bar	1 bar	-- bar
FLOW RATE	MAXIMUM	50 L/min	50 L/min	1539 NL/min	1539 NL/min
	MINIMUM	6 L/min	6 L/min	240 NL/min	-- NL/min
TEMPERATURE	MAXIMUM	70 °C	70 °C	70 °C	70 °C
	MINIMUM	5 °C	5 °C	5 °C	5 °C
MAXIMUM SPEED		20000 min ⁻¹	20000 min ⁻¹	20000 min ⁻¹	0 min ⁻¹
DRY RUN		YES	YES	YES	--
AXIAL FORCE		11.28 N/bar			
RECOMMENDED FILTRATION		ISO 4406 CLASS 17/15/12			

		PROJECTION:	SCALE: 1:1
		MATERIAL:	INTERFACE CONTROL DRAWING
DRN: 07.02.2018	NAME: FD	TITLE:	DEUBLIN ROTATING UNION
ENGR: 07.02.2018	NAME: CW	TITLE:	DEUBLIN Drehdurchführung
APPD:		NO.:	967-950
A	MINI RELEASE	04/19	02/18
ISSUE/	MODIFICATION	ECD	DATE
		UNLESS SPECIFICALLY TOLERANCED, ALL DIMENSIONS ARE CONSIDERED REFERENCE	
		SHEET A1	