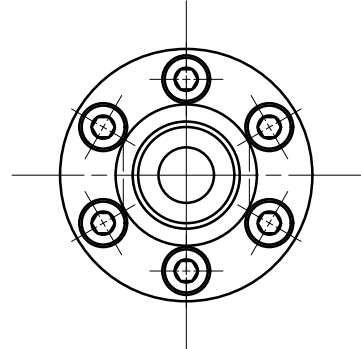
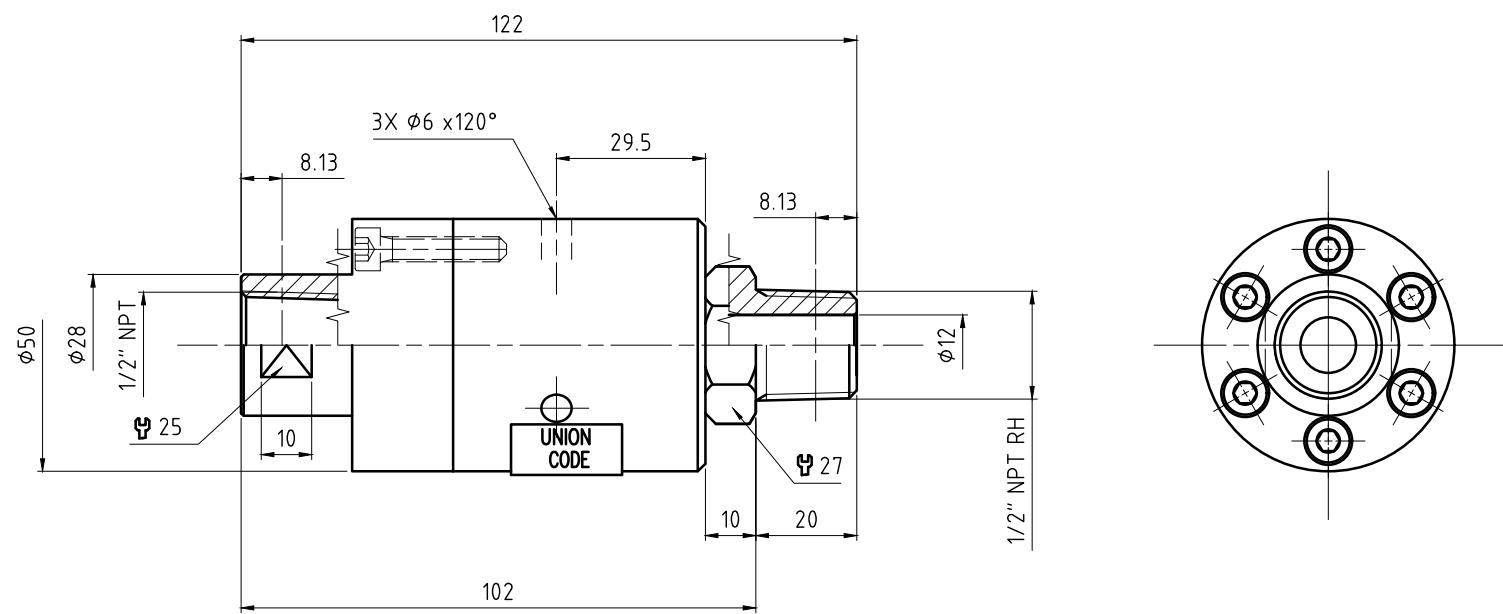


OPERATION AT MAXIMUM PRESSURE COMBINED WITH MAXIMUM SPEED SHOULD BE AVOIDED. IF OPERATING CONDITIONS ARE MARGINAL, PLEASE CONSULT OUR ENGINEERING DEPARTMENT.	
MEDIA:	MAX. TEMP.
OIL - WATER	90°C / 194°F
MAX. PRESS.	MAX. SPEED
400 bar / 5800 PSI	1500 rpm

CONFIDENTIAL
 THIS DOCUMENT CONTAINS CONFIDENTIAL AND PROPRIETARY INFORMATION OF DEUBLIN COMPANY. COPYING, USE, TRANSMISSION, DISTRIBUTION, AND DISCLOSURE ARE SUBJECT TO THE TERMS AND CONDITIONS CONTAINED IN YOUR AGREEMENT WITH DEUBLIN COMPANY. ALL RIGHTS RESERVED.



		PROJECTION:	SCALE: 1:1
		MATERIAL: INTERFACE CONTROL DRAWING	
		TITLE: UNION AP 12 NPT	
		NO. AP12-011-214-IC	SHEET A3
IN RELEASE	019060	07/12	F.F.
ISSUE	MODIFICATION	ECO	DATE SIGN
UNLESS SPECIFICALLY TOLERANCED, ALL DIMENSIONS ARE CONSIDERED REFERENCE			