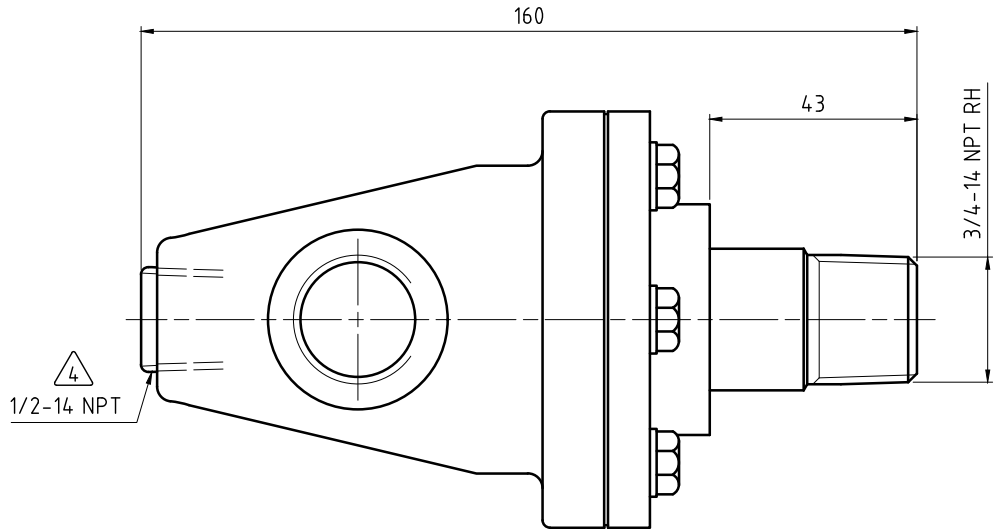
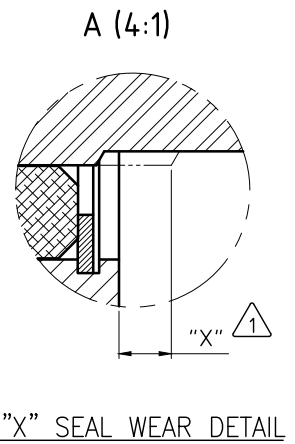
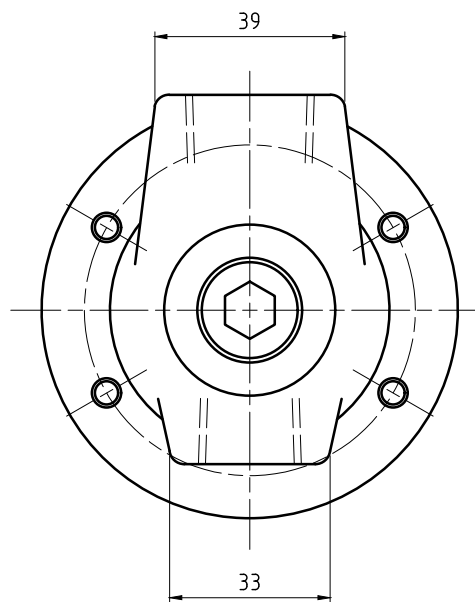
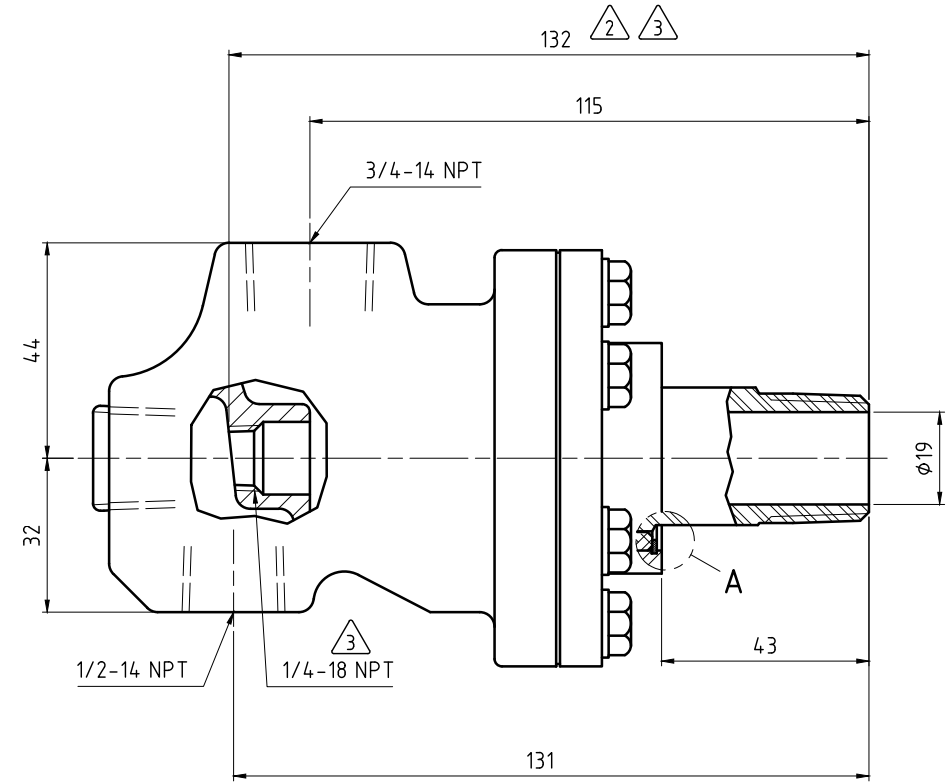
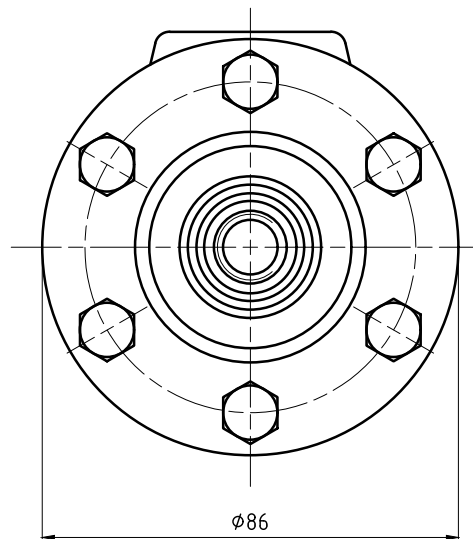


NOTES:

- ① - SEAL MUST BE REPLACED WHEN "X" DIMENSION EXCEEDS 6.3 mm. CONTACT DEUBLIN FOR APPROPRIATE SERVICE KIT.
- ② - PIPE LENGTH.
- ③ - PIPE SUPPLIED BY CUSTOMER.
- ④ - PLUG INSTALLED HAND TIGHT FROM FACTORY. IF PORT IS NOT UTILIZED, TIGHTEN BEFORE USE.



OPERATING DATA		
MEDIA		THERMAL OIL
PRESSURE	MAXIMUM	6.9 bar
TEMPERATURE	MAXIMUM	232 °C
SPEED	MAXIMUM	400 min <sup>-1</sup>
DRY RUN		NO

		PROJECTION:	SCALE: 1:1	
		MATERIAL: INTERFACE CONTROL DRAWING		
		DATE: 12/17/14 NAME: N. Reyna	TITLE: DEUBLIN UNION	
		ENGR: 12/17/14 NAME: L. Freed		
		APPD.		
		NO. BC-54000-12-20		
UNLESS SPECIFICALLY TOLERANCED, ALL DIMENSIONS ARE CONSIDERED REFERENCE		SHEET A2		
ISSUE	MODIFICATION	ECO	DATE	SIGN