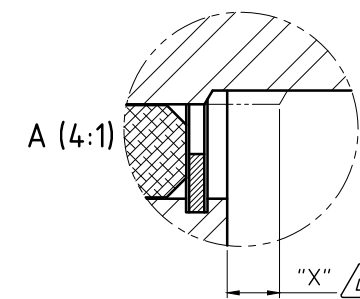
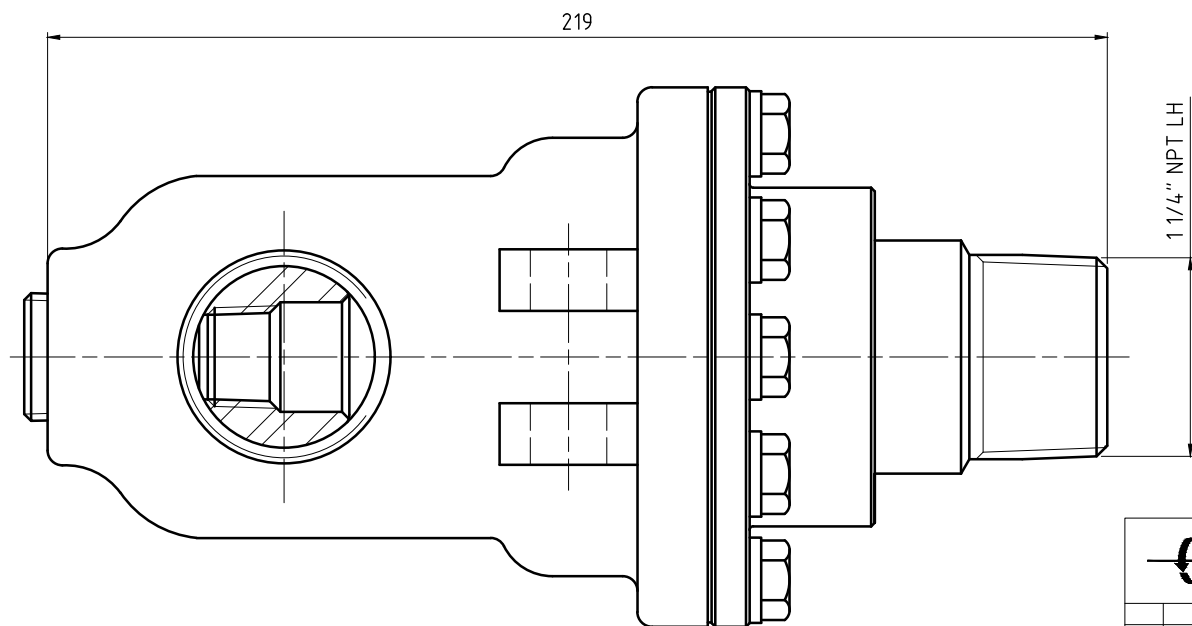
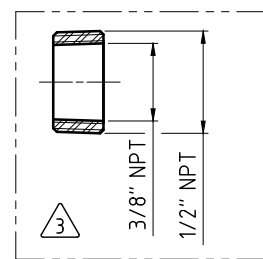
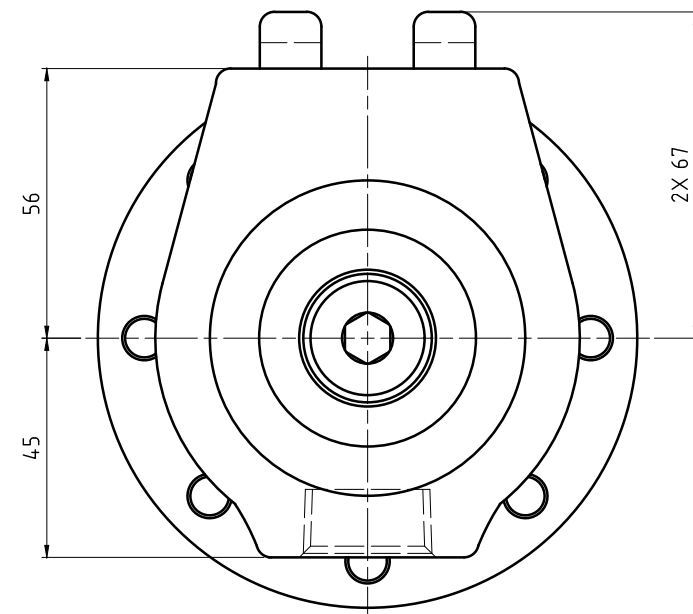
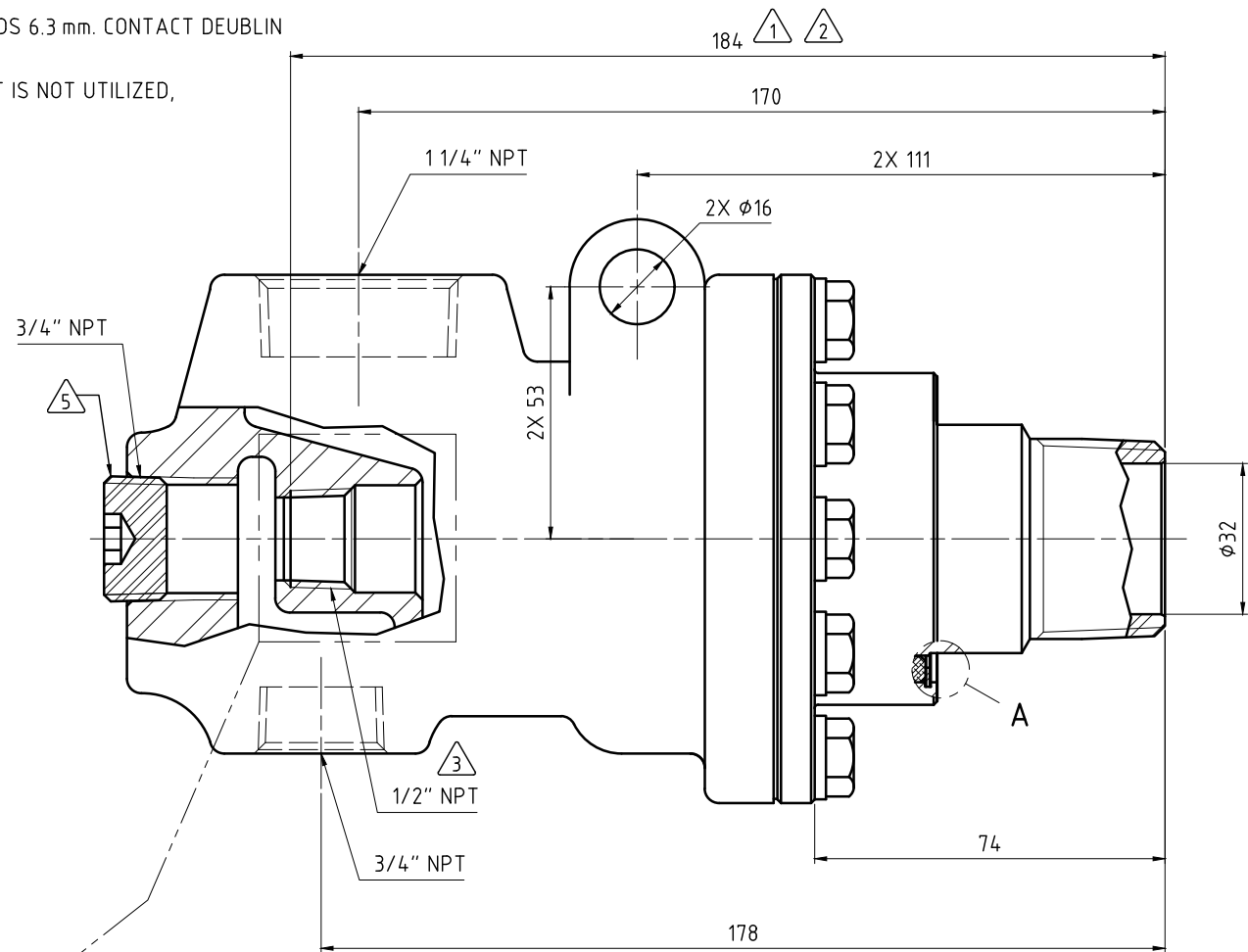
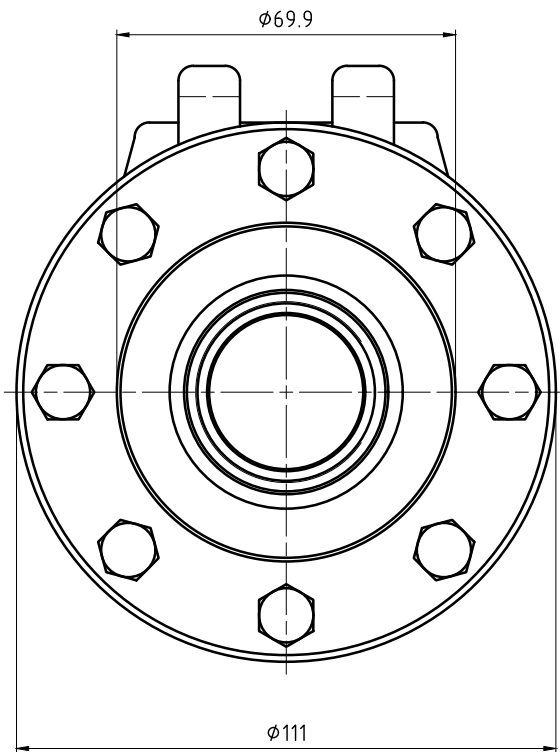


NOTES:

- ① - PIPE LENGTH INTO UNION.
- ② - PIPE SUPPLIED BY CUSTOMER.
- ③ - OPTIONAL SIPHON INSERT INCLUDED.
- ④ - SEAL MUST BE REPLACED WHEN "X" DIMENSION EXCEEDS 6.3 mm. CONTACT DEUBLIN FOR APPROPRIATE SERVICE KIT.
- ⑤ - PLUG INSTALLED HAND TIGHT FROM FACTORY. IF PORT IS NOT UTILIZED, TIGHTEN BEFORE USE.



"X" SEAL WEAR DETAIL

OPERATING DATA		
MEDIA		THERMAL OIL
PRESSURE	MAXIMUM	6.9 bar
TEMPERATURE	MAXIMUM	232 °C
SPEED	MAXIMUM	400 min ⁻¹
DRY RUN		NO

		PROJECTION:	SCALE: 1:1
			MATERIAL: INTERFACE CONTROL DRAWING
		DATE: 08/06/14	NAME: N. Reyna
		ENGR: 08/06/14	APPD: L. Freed
		TITLE: DEUBLIN UNION	
		NO. BC-54000-20-21	
A ADDED OP DATA 0 029654 RA ISSUE MODIFICATION ECO DATE SIGN		SHEET A2	

UNLESS SPECIFICALLY TOLERANCED, ALL DIMENSIONS ARE CONSIDERED REFERENCE