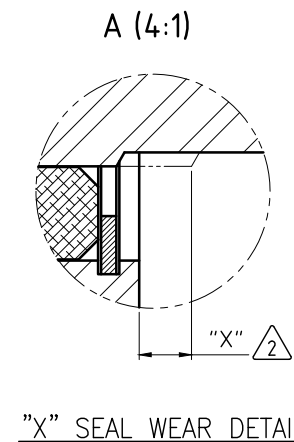
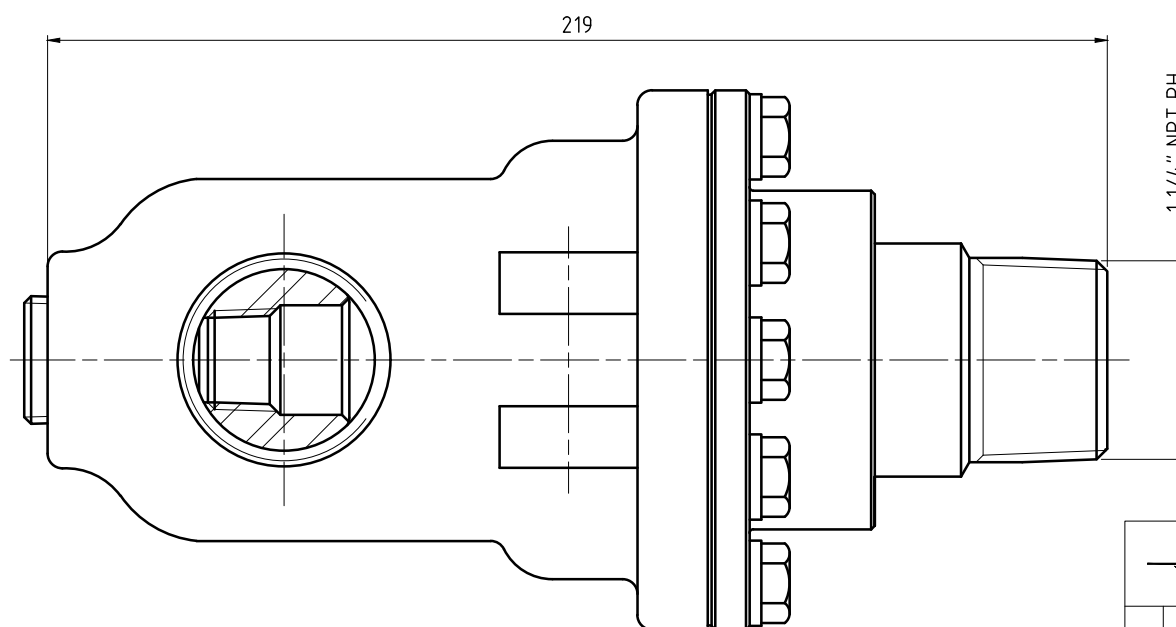
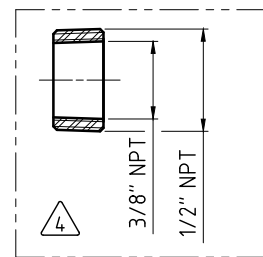
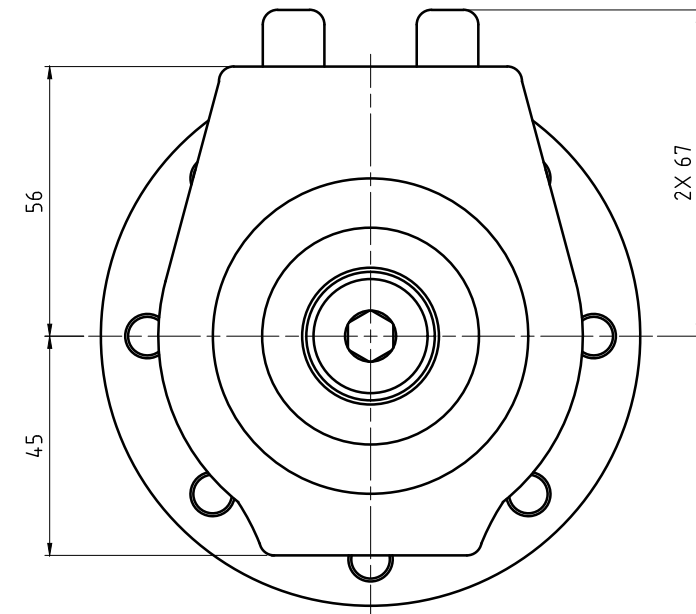
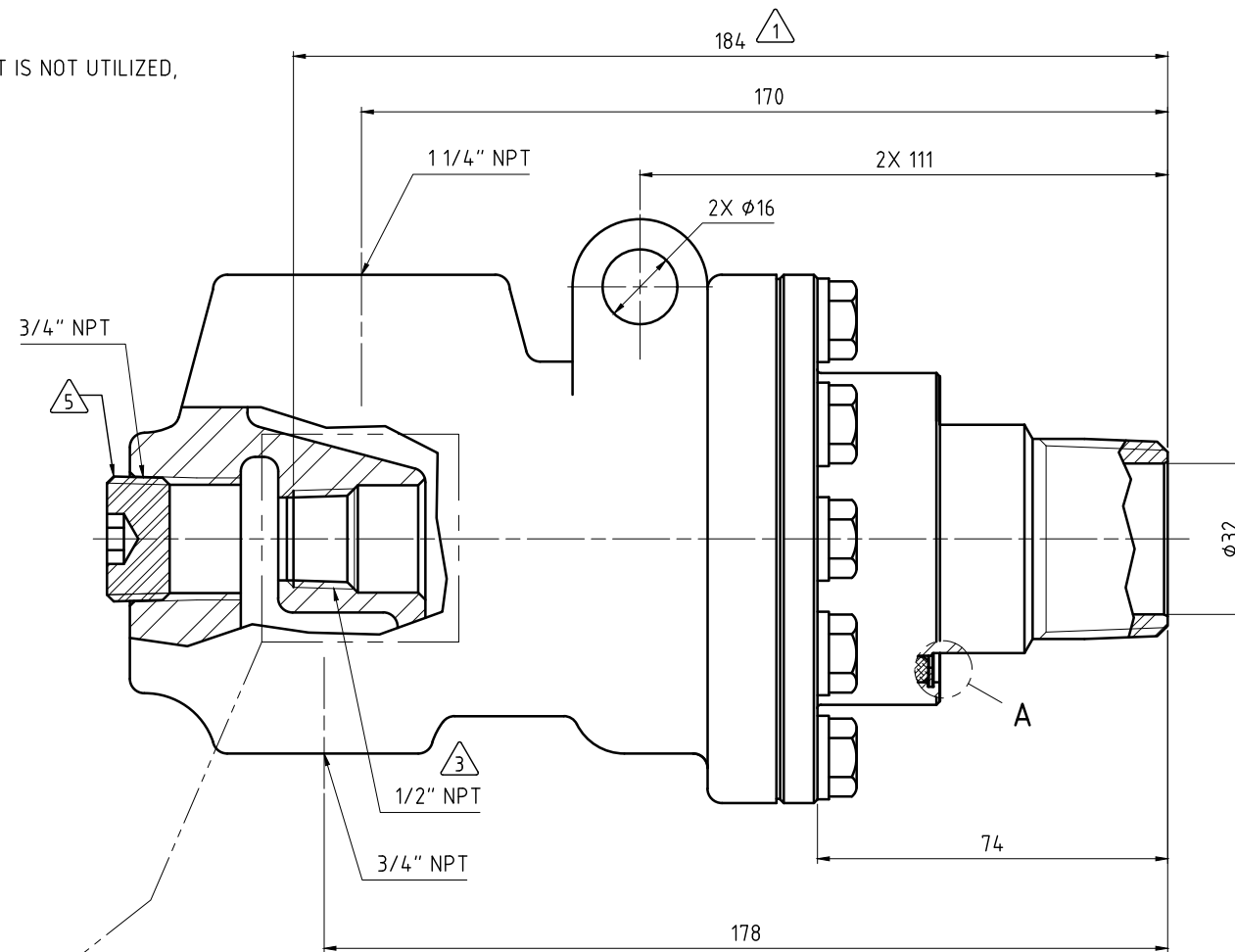
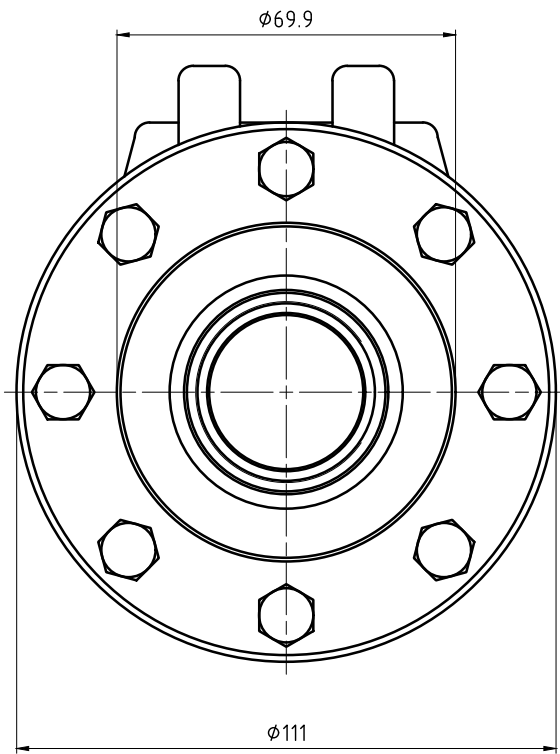


CONFIDENTIAL
 THIS DOCUMENT CONTAINS CONFIDENTIAL AND PROPRIETARY
 INFORMATION OF DEUBLIN COMPANY. COPYING, USE,
 TRANSMISSION, DISTRIBUTION, AND DISCLOSURE ARE SUBJECT
 TO THE TERMS AND CONDITIONS CONTAINED IN YOUR
 AGREEMENT WITH DEUBLIN COMPANY. ALL RIGHTS RESERVED.

NOTES:

- ① - PIPE LENGTH.
- ② - SEAL MUST BE REPLACED WHEN "X" DIMENSION EXCEEDS 6.3 mm. CONTACT DEUBLIN FOR APPROPRIATE SERVICE KIT.
- ③ - OPTIONAL SIPHON INSERT INCLUDED.
- ④ - PIPE SUPPLIED BY CUSTOMER.
- ⑤ - PLUG INSTALLED HAND TIGHT FROM FACTORY. IF PORT IS NOT UTILIZED, TIGHTEN BEFORE USE.



		PROJECTION:		SCALE: 1:1	
		MATERIAL: INTERFACE CONTROL DRAWING		TITLE: DEUBLIN UNION	
DRN.	06/10/2014	R. Abarca	NO. BC-54000-20-50		
ENGR.	06/10/2014	L. Freed			
APPD.					
ISSUE	MODIFICATION	ECO	DATE	SIGN	SHEET A2

UNLESS SPECIFICALLY TOLERANCED, ALL DIMENSIONS ARE CONSIDERED REFERENCE