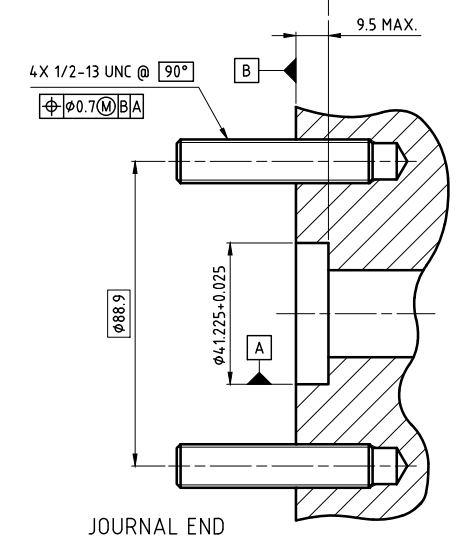
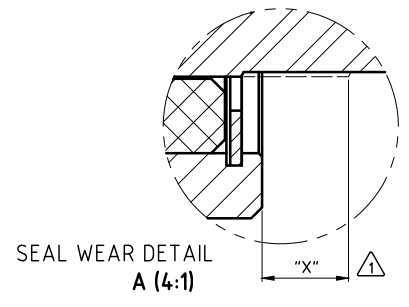
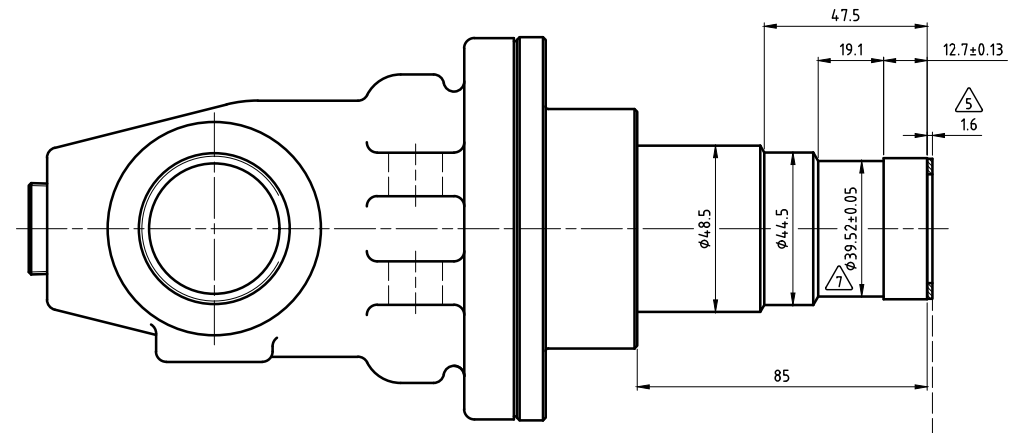
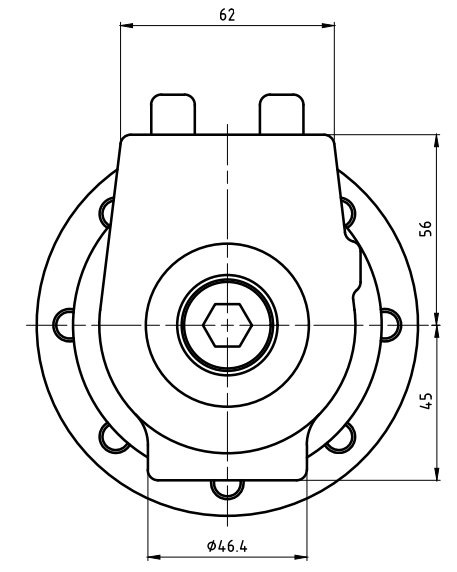
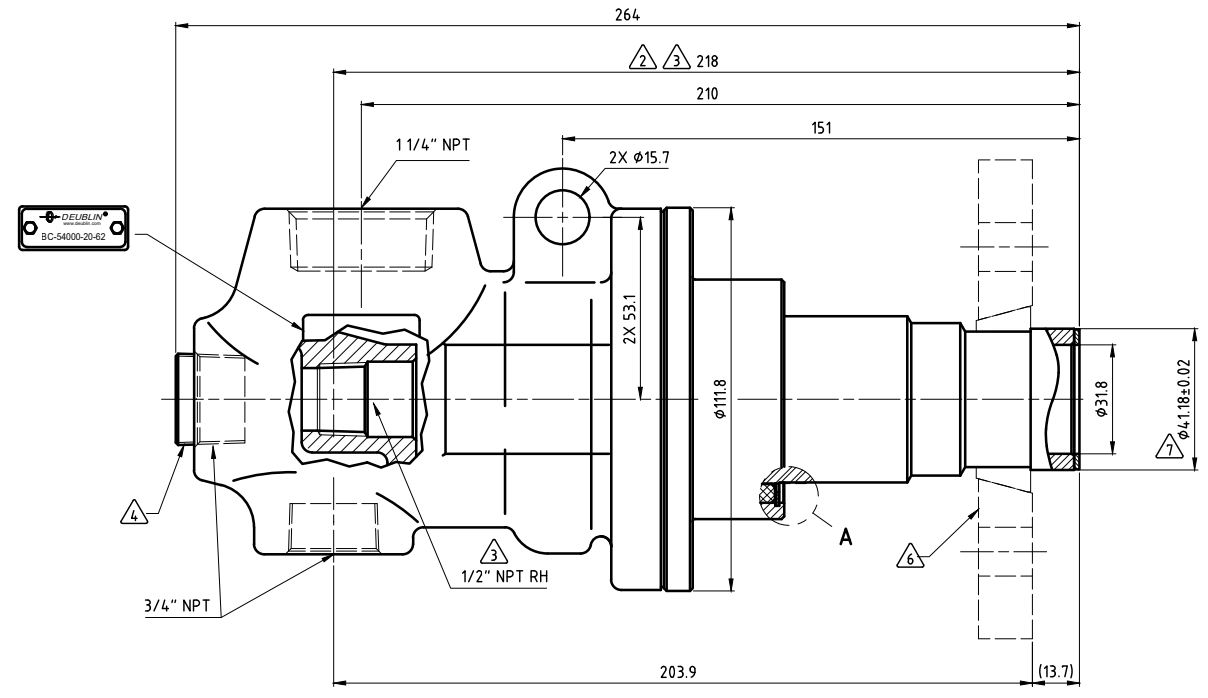
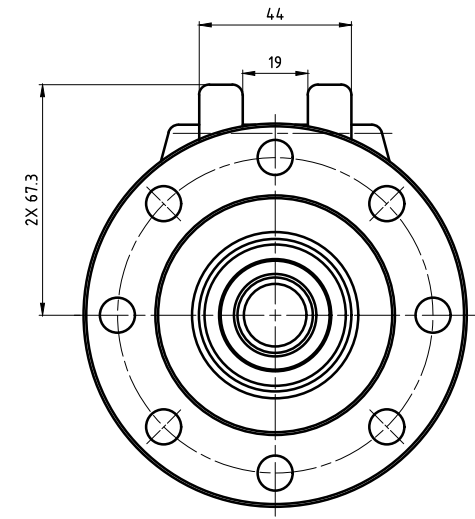


- NOTES:
- △ - SEAL MUST BE REPLACED WHEN "X" DIMENSION EXCEEDS 6.3 mm. CONTACT DEUBLIN FOR APPROPRIATE SERVICE KIT.
 - △ - PIPE LENGTH INTO UNION.
 - △ - PIPE SUPPLIED BY CUSTOMER.
 - △ - PLUG INSTALLED HAND TIGHT FROM FACTORY. IF PORT IS NOT UTILIZED, TIGHTEN BEFORE USE.
 - △ - GASKET THICKNESS.
 - △ - FLANGE PARTS SUPPLIED BY CUSTOMER; FLANGE KIT 10-64034-43 MAY BE PURCHASED SEPARATELY.
 - △ - CRITICAL DIMENSION.



OPERATING DATA		
MEDIA		STEAM
PRESSURE	MAXIMUM	17.2 bar
TEMPERATURE	MAXIMUM	208 °C
SPEED	MAXIMUM	400 min ⁻¹
DRY RUN		NO

	PROJECTION:	SCALE: 1:1	MATERIAL: INTERFACE CONTROL DRAWING TITLE: UNION TYPE C FIXED SIPHON NPT PORTS 1 1/4" QC ROTOR NO. BC-54000-20-62 SHEET A1
	DATE: 07/23/19 NAME: N. Reyna ENGR: 07/23/19 APPD: T. Wilson		
UNLESS SPECIFICALLY TOLERANCED, ALL DIMENSIONS ARE CONSIDERED REFERENCE			