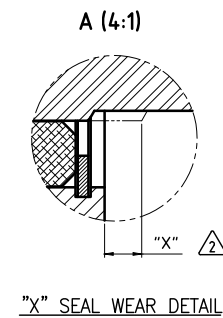
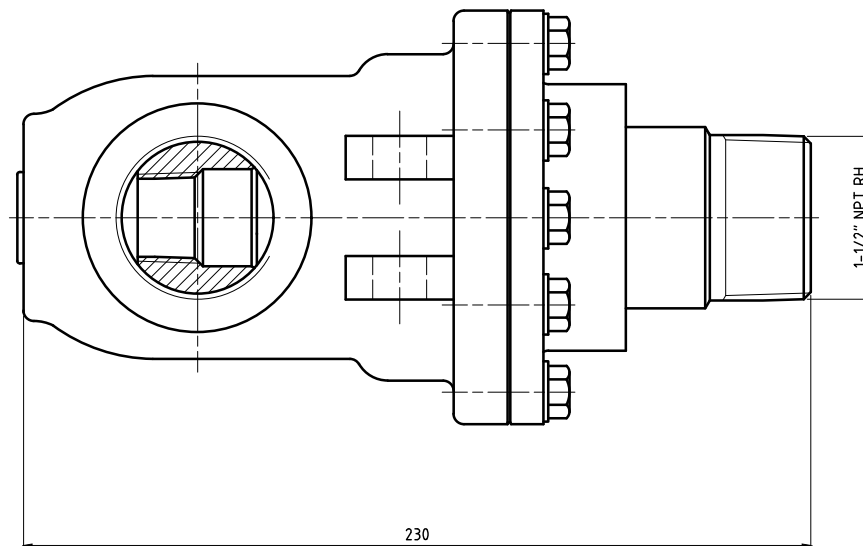
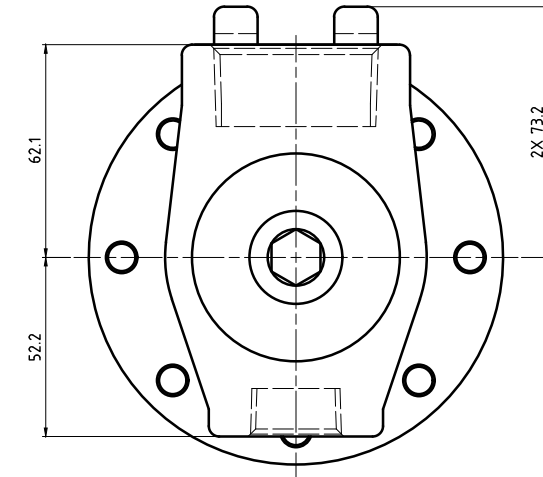
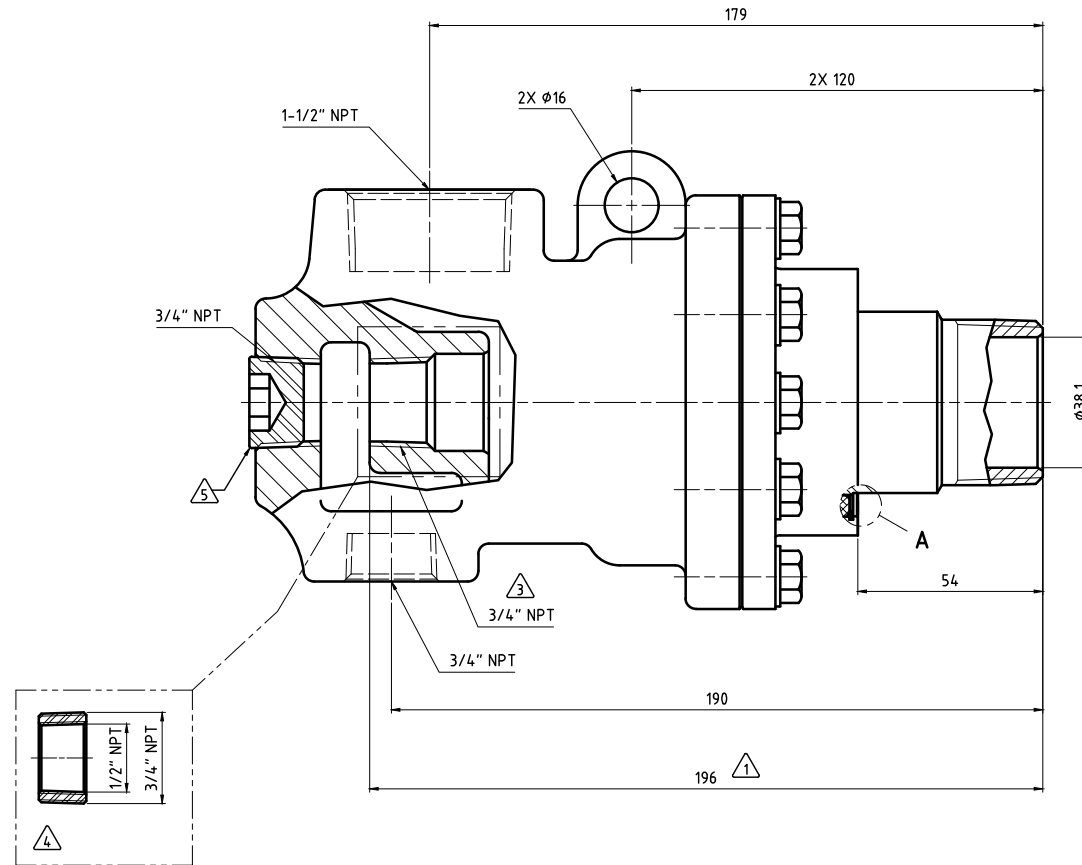
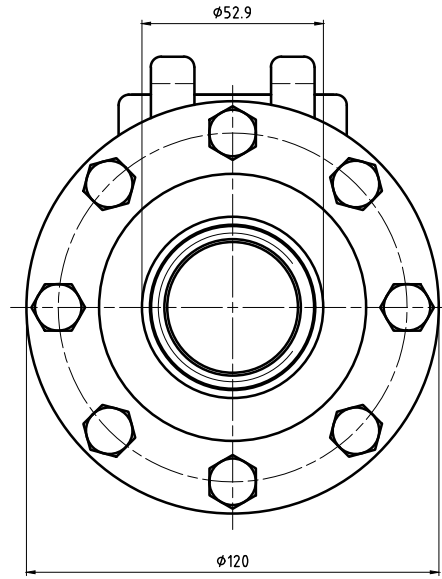


- NOTES:
- ⚠ - PIPE LENGTH INTO UNION.
  - ⚠ - SEALS SHOULD BE REPLACED WHEN "X" DIMENSION EXCEEDS 6.4.
  - ⚠ - PIPE SUPPLIED BY CUSTOMER.
  - ⚠ - OPTIONAL SIPHON INSERT INCLUDED.
  - ⚠ - PLUG INSTALLED HAND TIGHT FROM FACTORY. IF PORT IS NOT UTILIZED, TIGHTEN BEFORE USE.



<b>DEUBLIN</b> Engineered for Performance		PROJECTION:	SCALE: 1:1
MATERIAL: INTERFACE CONTROL DRAWING		TITLE: DEUBLIN UNION	NO. BC-54000-24-20
DRN: 11/26/13	NAME: N. Reyna	ENGR: 11/26/13	L. Freed
ISSUE/	MODIFICATION	ECD	DATE SIGN
UNLESS SPECIFICALLY TOLERANCED, ALL DIMENSIONS ARE CONSIDERED REFERENCE			SHEET A2