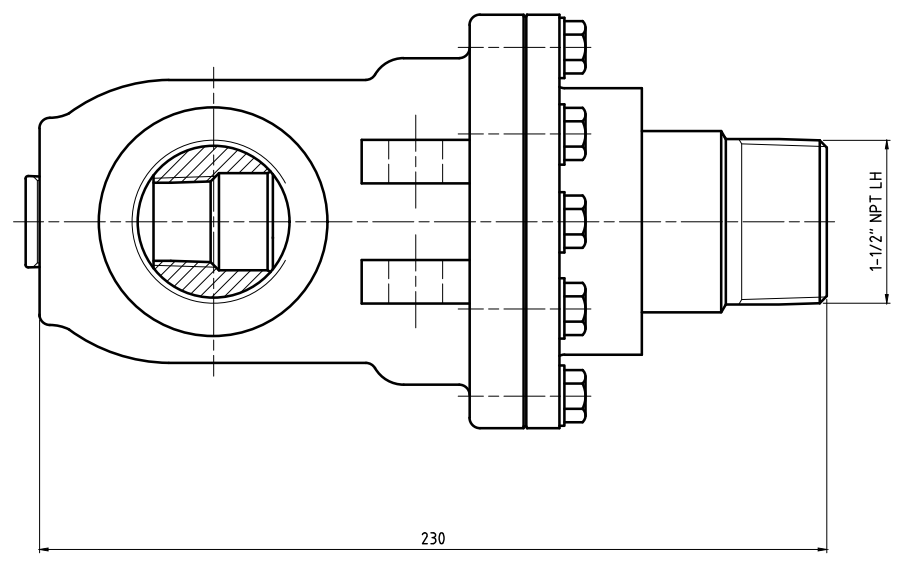
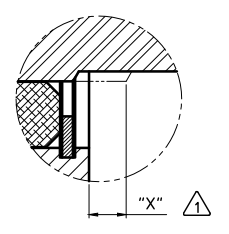
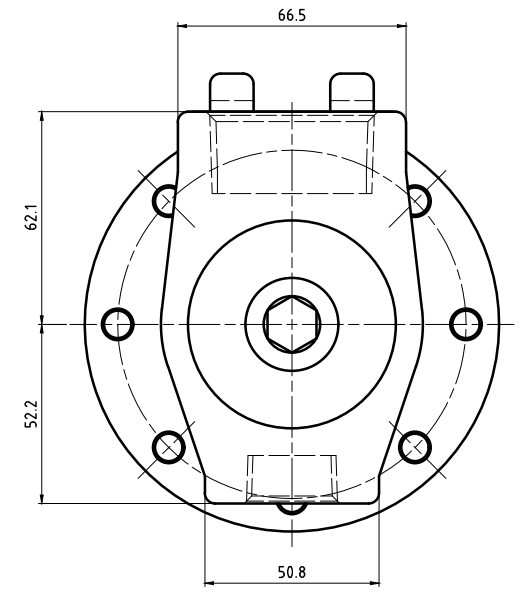
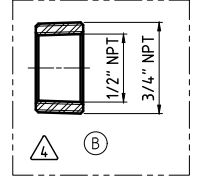
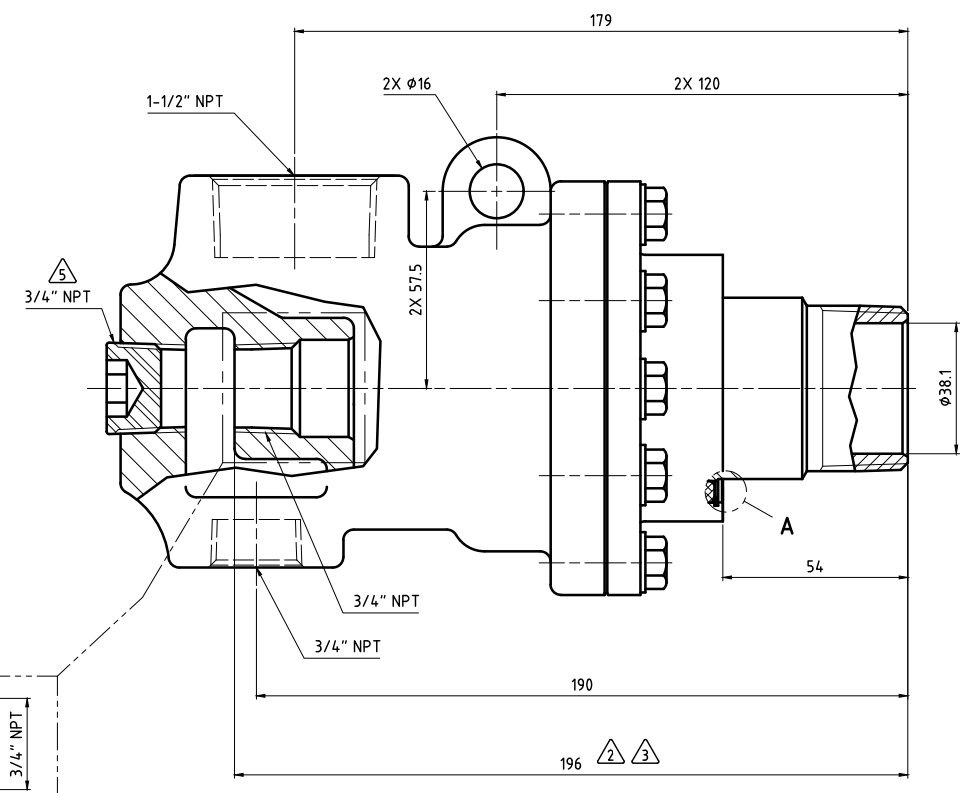
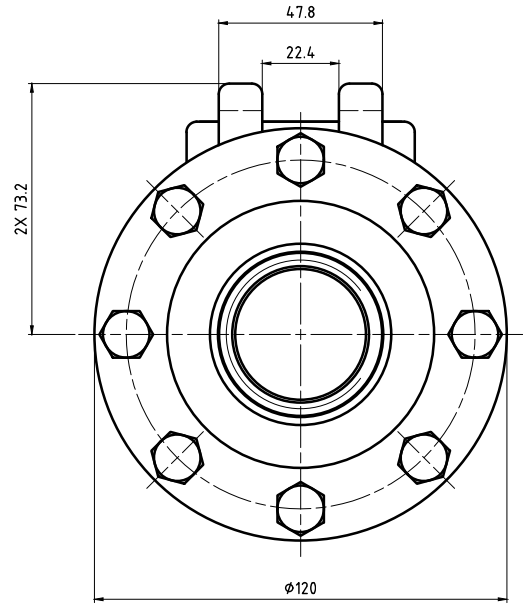


- NOTES:
- 1 - SEAL MUST BE REPLACED WHEN "X" DIMENSION EXCEEDS 6.3 mm. CONTACT DEUBLIN FOR APPROPRIATE SERVICE KIT.
  - 2 - PIPE LENGTH INTO UNION.
  - 3 - PIPE SUPPLIED BY CUSTOMER.
  - 4 - OPTIONAL SIPHON INSERT INCLUDED.
  - 5 - PLUG INSTALLED HAND TIGHT FROM FACTORY. IF PORT IS NOT UTILIZED, TIGHTEN BEFORE USE.



OPERATING DATA

MEDIA	THERMAL OIL	
PRESSURE	MAXIMUM	6.9 bar
TEMPERATURE	MAXIMUM	232 °C
SPEED	MAXIMUM	400 min <sup>-1</sup>
DRY RUN	NO	

**DEUBLIN**  
 Engineered for Performance

PROJECTION:

SCALE: 1:1

MATERIAL: INTERFACE CONTROL DRAWING

TITLE: UNION TYPE C RH FIXED SIPHON NPT PORTS - NPT 1 1/2 LH ROTOR

NO. BC-54000-24-21

SHEET A2

DATE	NAME
18/03/19	A.C.
03/19	M.M.
APPD.	

REVISED	DATE	BY	NR
05/12/18	03/19	A.C.	
ISSUE	MODIFICATION	ECD	DATE

UNLESS SPECIFICALLY TOLERANCED, ALL DIMENSIONS ARE CONSIDERED REFERENCE