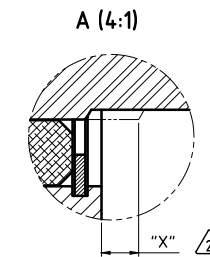
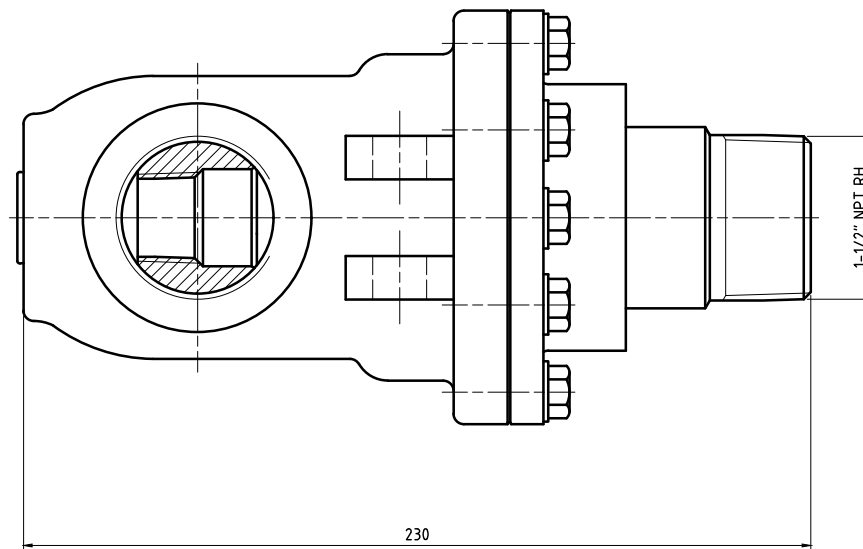
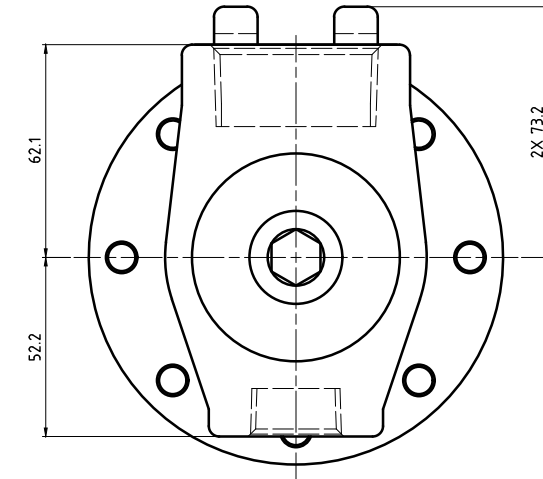
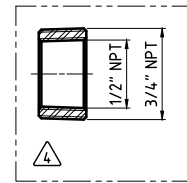
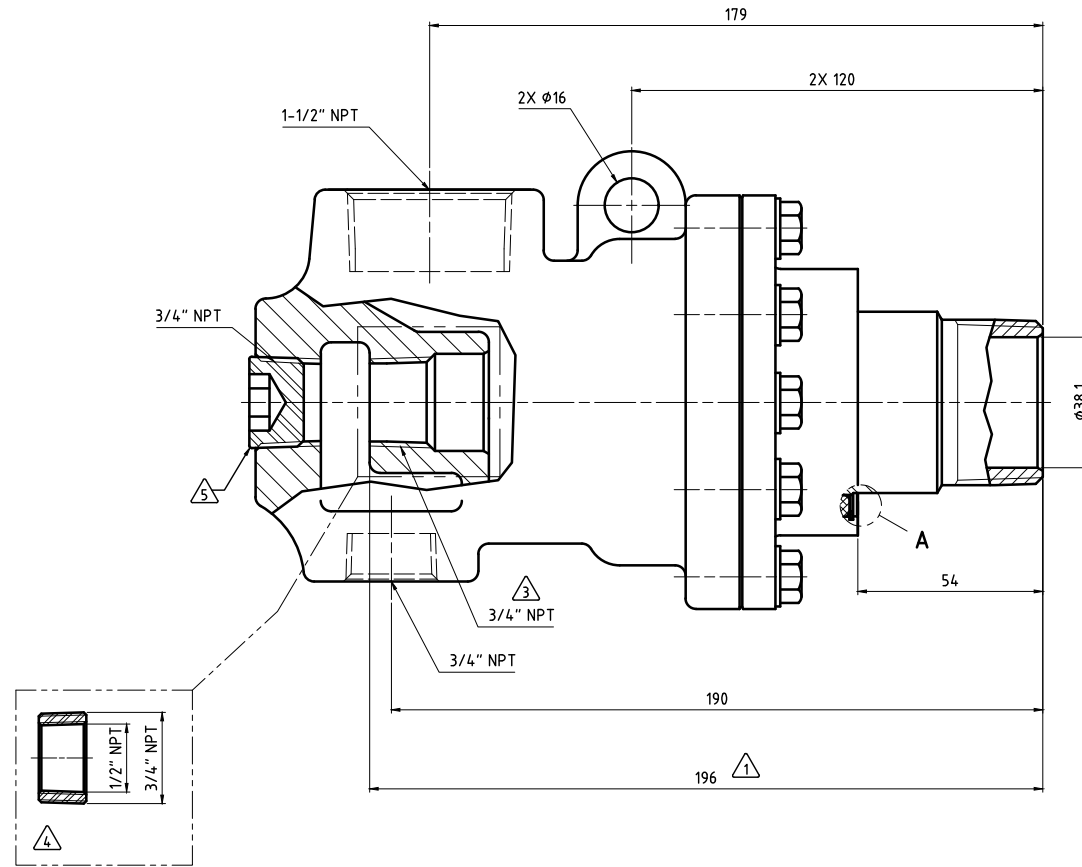
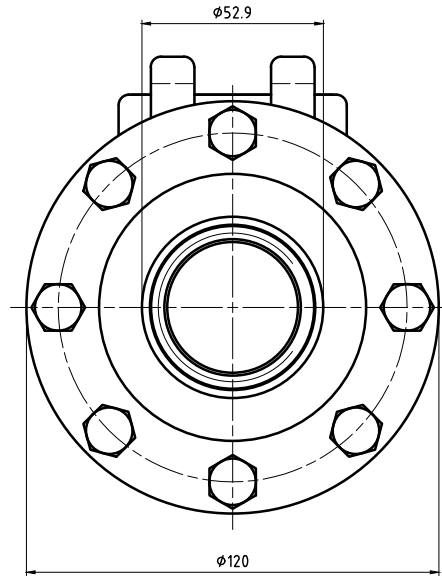


- NOTES:
- ⚠ - PIPE LENGTH INTO UNION.
 - ⚠ - SEALS SHOULD BE REPLACED WHEN "X" DIMENSION EXCEEDS 6.4.
 - ⚠ - PIPE SUPPLIED BY CUSTOMER.
 - ⚠ - OPTIONAL SIPHON INSERT INCLUDED.
 - ⚠ - PLUG INSTALLED HAND TIGHT FROM FACTORY. IF PORT IS NOT UTILIZED, TIGHTEN BEFORE USE.



"X" SEAL WEAR DETAIL

DEUBLIN Engineered for Performance		PROJECTION:	SCALE: 1:1
MATERIAL: INTERFACE CONTROL DRAWING		DATE: 11/26/13	NAME: N. Reyna
DRN: 11/26/13		ENGR: 11/26/13	APPD: L. Freed
TITLE: DEUBLIN UNION		NO. BC-54000-24-50	
ISSUE/ MODIFICATION		ECD	DATE
SIGN		SHEET A2	
UNLESS SPECIFICALLY TOLERANCED, ALL DIMENSIONS ARE CONSIDERED REFERENCE			