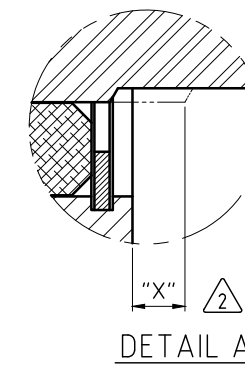
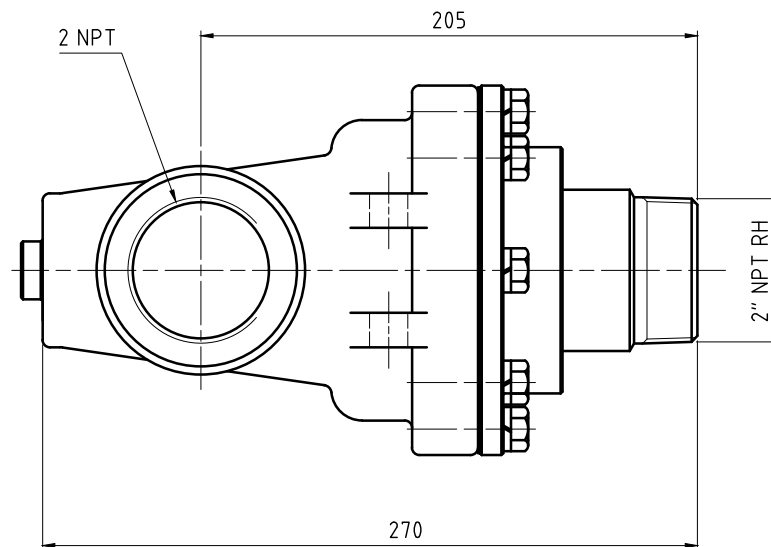
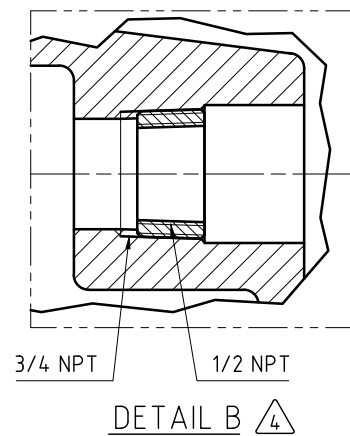
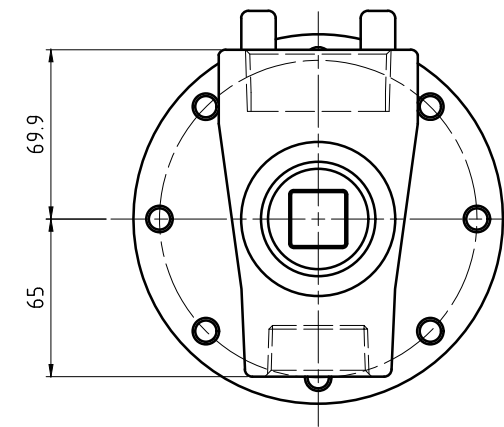
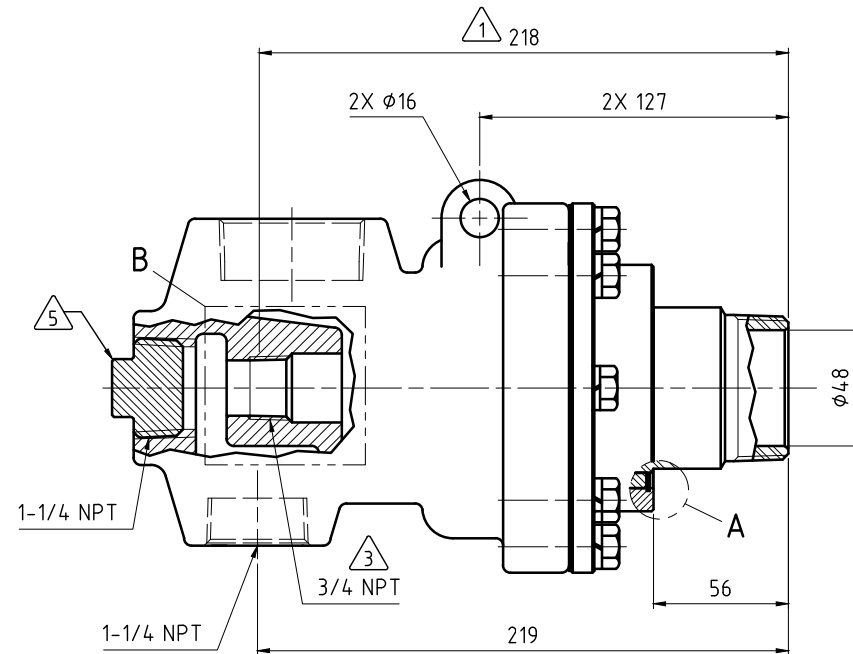
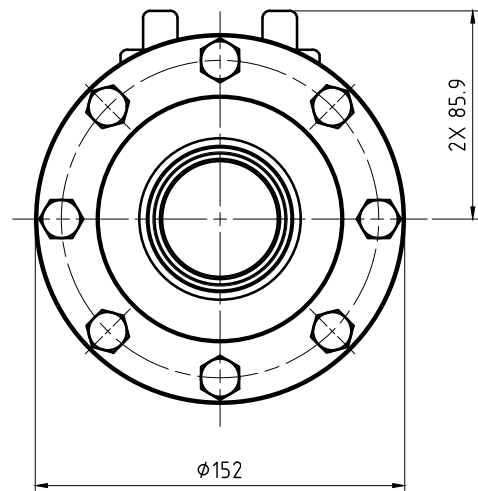


NOTES:

- ① - PIPE LENGTH INTO UNION.
- ② - SEALS SHOULD BE REPLACED WHEN "X" DIMENSION EXCEEDS 7.9.
- ③ - PIPE SUPPLIED BY CUSTOMER.
- ④ - OPTIONAL SIPHON INSERT INCLUDED.
- ⑤ - PLUG INSTALLED HAND TIGHT FROM FACTORY. IF PORT IS NOT UTILIZED, TIGHTEN BEFORE USE.



|   |              |                |            |                                     |          |
|---|--------------|----------------|------------|-------------------------------------|----------|
|   |              | PROJECTION:    | SCALE: 1:2 | MATERIAL: INTERFACE CONTROL DRAWING |          |
|   |              |                |            |                                     |          |
|   |              | DATE           | NAME       | TITLE:                              |          |
|   |              | DRN. 12/26/13  | N. Reyna   | DEUBLIN UNION                       |          |
|   |              | ENGR. 12/26/13 | L. Freed   |                                     |          |
|   |              | APPD.          |            |                                     |          |
| UNLESS SPECIFICALLY TOLERANCED, ALL DIMENSIONS ARE CONSIDERED REFERENCE |              |                |            | NO. BC-54000-32-50                  | SHEET A2 |
| ISSUE   | MODIFICATION | ECO            | DATE       | SIGN                                |          |