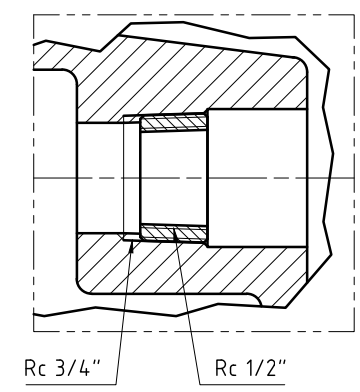
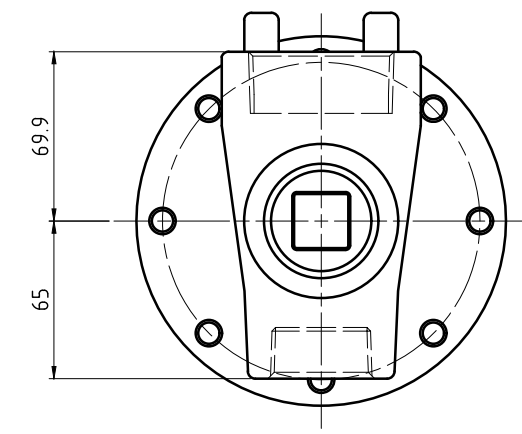
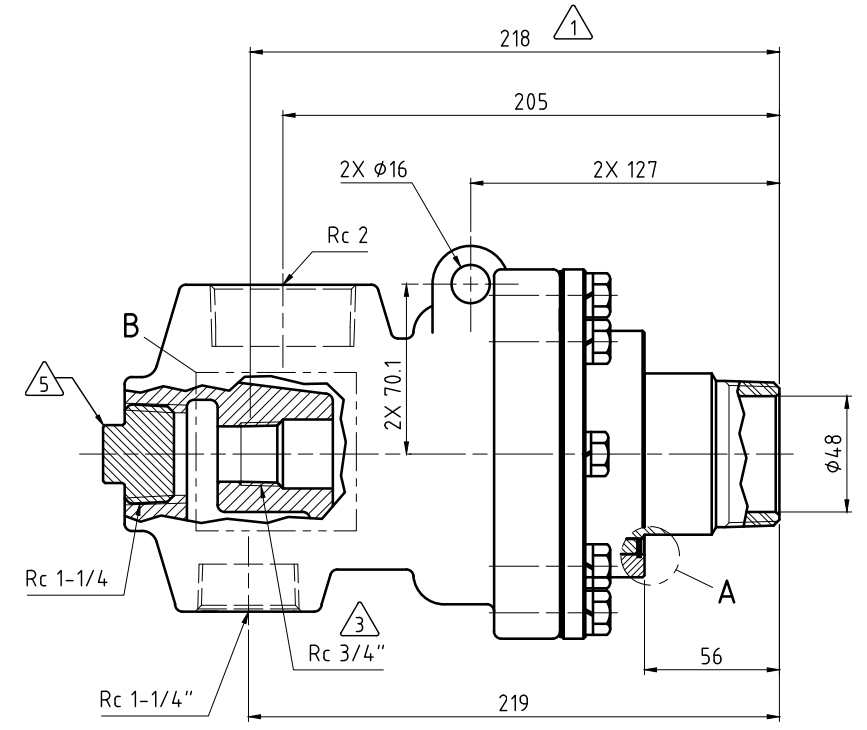
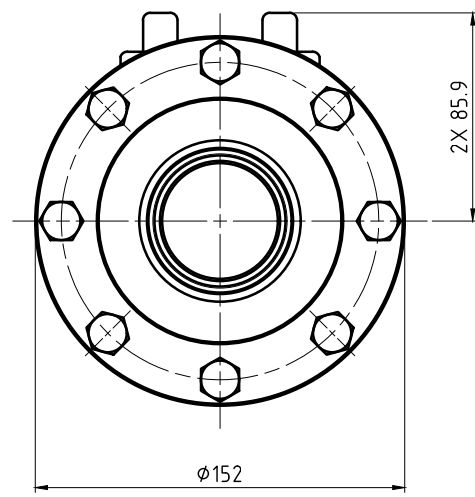
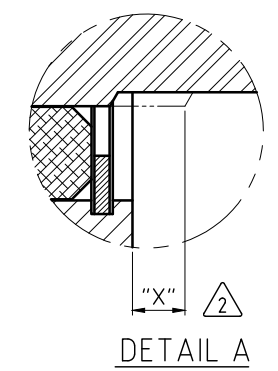
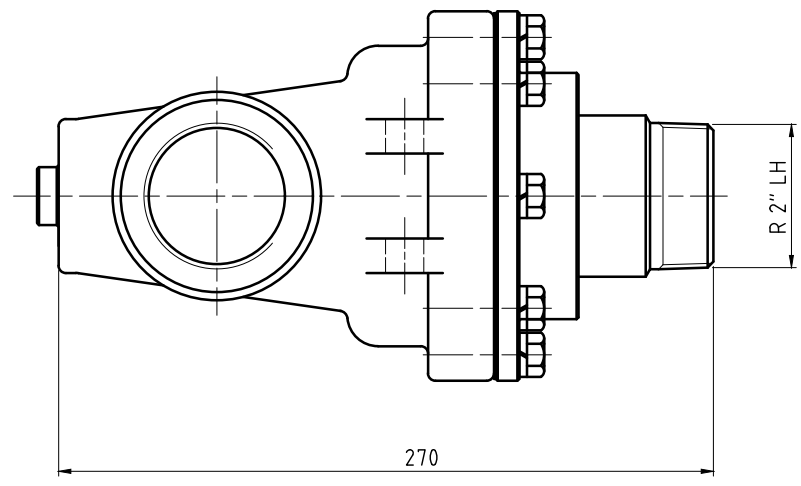


NOTES:

- ① - PIPE LENGTH INTO UNION.
- ② - SEALS SHOULD BE REPLACED WHEN "X" DIMENSION EXCEEDS 7.9.
- ③ - PIPE SUPPLIED BY CUSTOMER.
- ④ - OPTIONAL SIPHON INSERT INCLUDED.
- ⑤ - PLUG INSTALLED HAND TIGHT FROM FACTORY. IF PORT IS NOT UTILIZED, TIGHTEN BEFORE USE.



DETAIL B ④



		PROJECTION:	SCALE: 1:2
			MATERIAL: INTERFACE CONTROL DRAWING
DRN.	06/19/14	N. Reyna	TITLE: DEUBLIN UNION
ENGR.	06/19/14	T. Wilson	
APPD.			
UNLESS SPECIFICALLY TOLERANCED, ALL DIMENSIONS ARE CONSIDERED REFERENCE			NO. BC-54000-32-51B
ISSUE	MODIFICATION	ECO	DATE
			SIGN
			SHEET A2