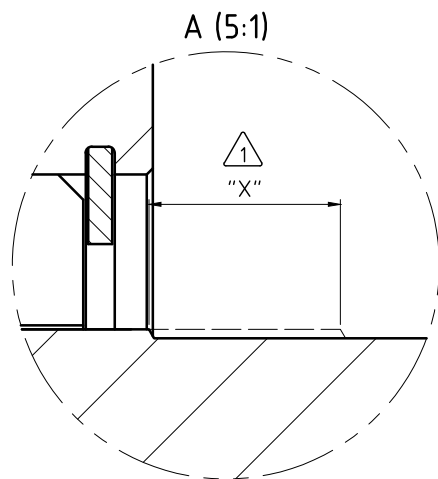
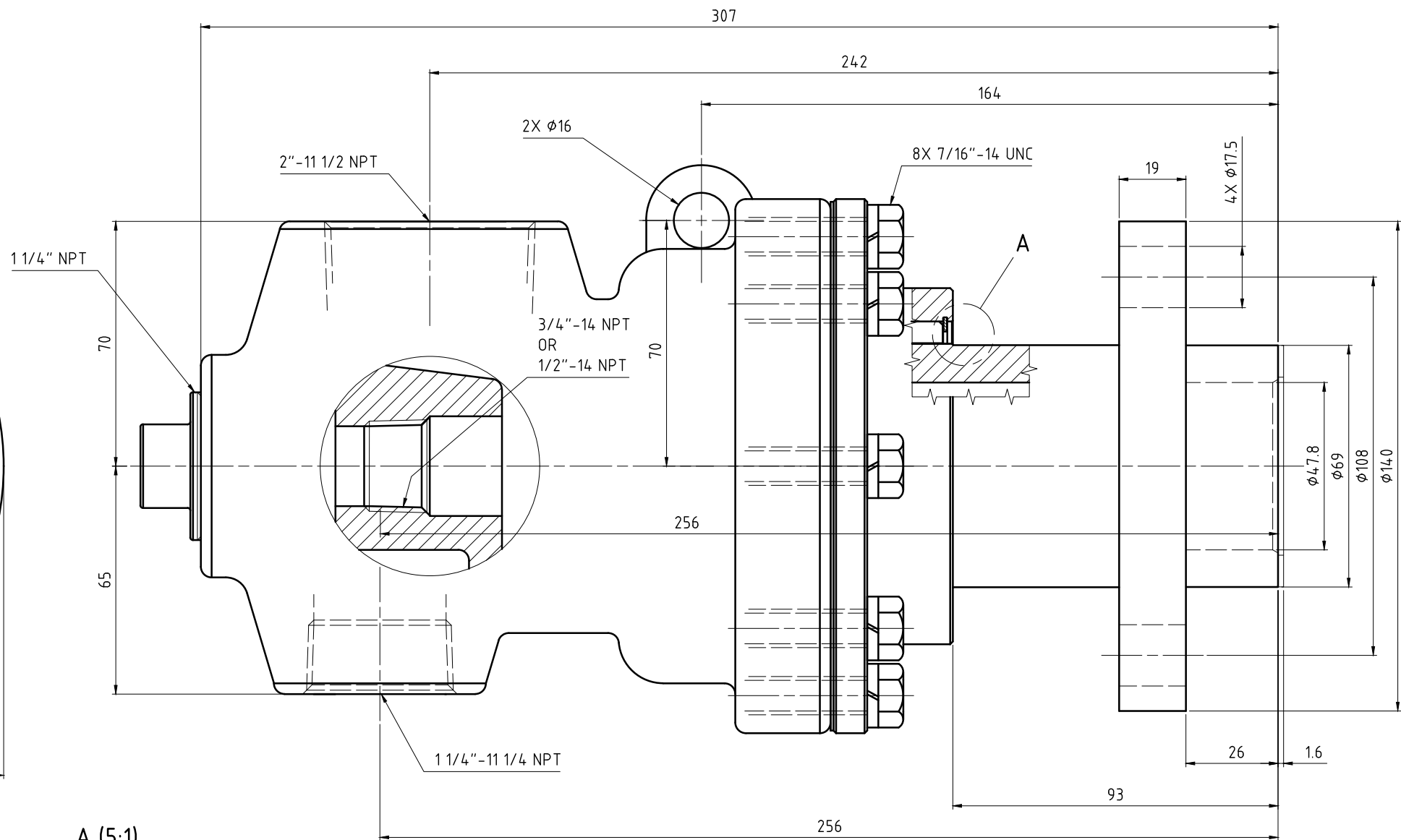
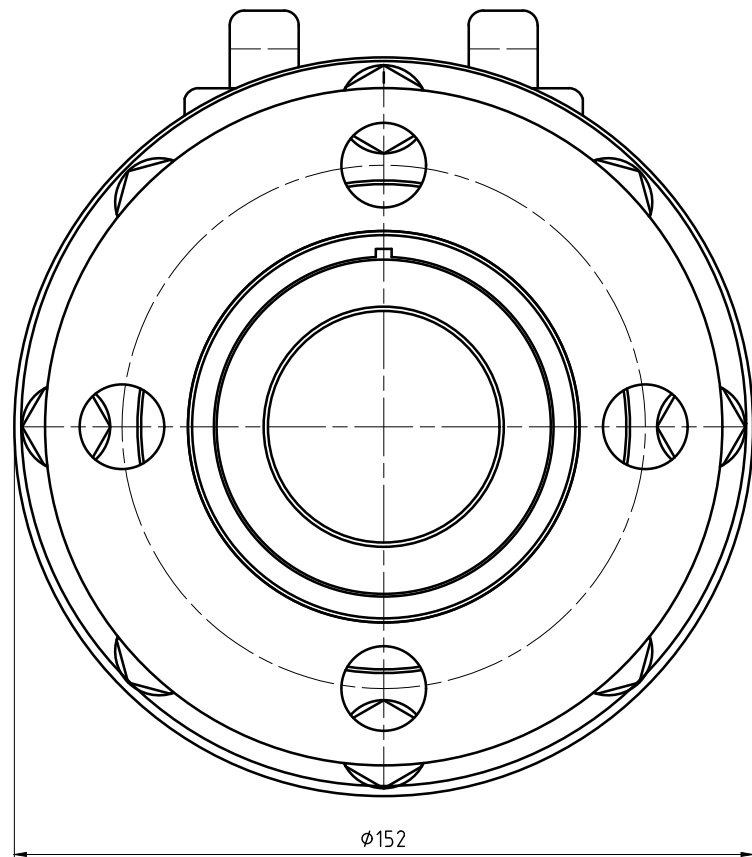


CONFIDENTIAL
 THIS DOCUMENT CONTAINS CONFIDENTIAL AND PROPRIETARY INFORMATION OF DEUBLIN COMPANY. COPYING, USE, TRANSMISSION, DISTRIBUTION, AND DISCLOSURE ARE SUBJECT TO THE TERMS AND CONDITIONS CONTAINED IN YOUR AGREEMENT WITH DEUBLIN COMPANY. ALL RIGHTS RESERVED.

NOTES:

① - SEALS SHOULD BE REPLACED WHEN "X" DIMENSION EXCEEDS 7.9MM.



OPERATING DATA	
MEDIA	STEAM
MAX. PRESSURE	16.5 bar
MAX. TEMPERATURE	203°C



SCALE: 1:1
 MATERIAL: INTERFACE CONTROL DRAWING

DATE	NAME	TITLE:
DRN. 04/02/2013	R. Abarca	DEUBLIN UNION
ENGR. 04/02/2013	L. Freed	
APPD.		

NO. BC-54000-32-60
 SHEET A2

ISSUE	MODIFICATION	ECO	DATE	SIGN

UNLESS SPECIFICALLY TOLERANCED, ALL DIMENSIONS ARE CONSIDERED REFERENCE