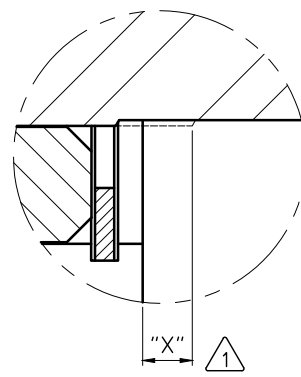
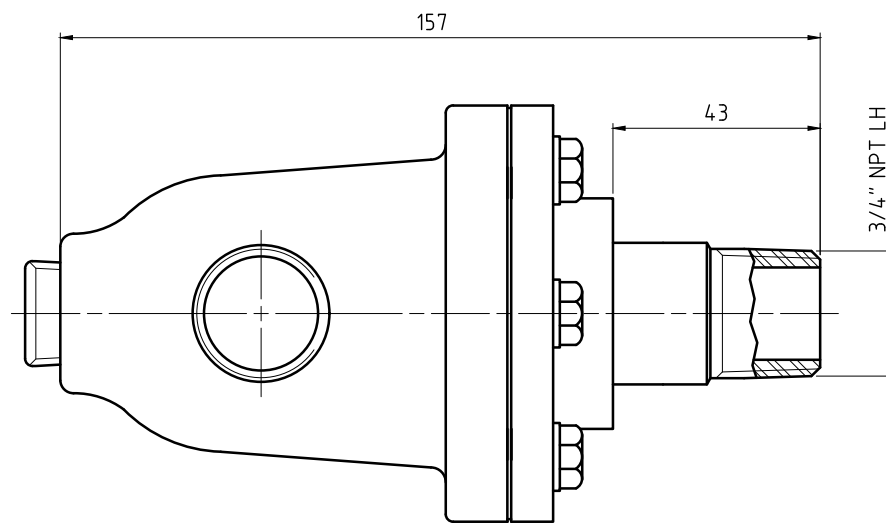
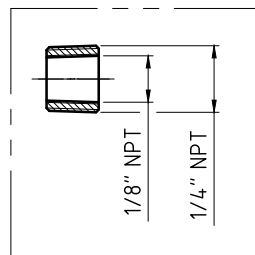
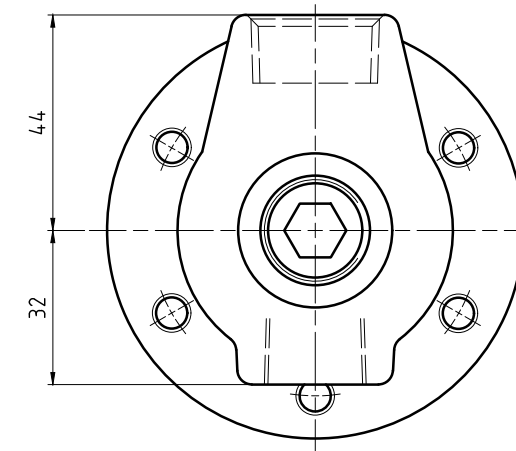
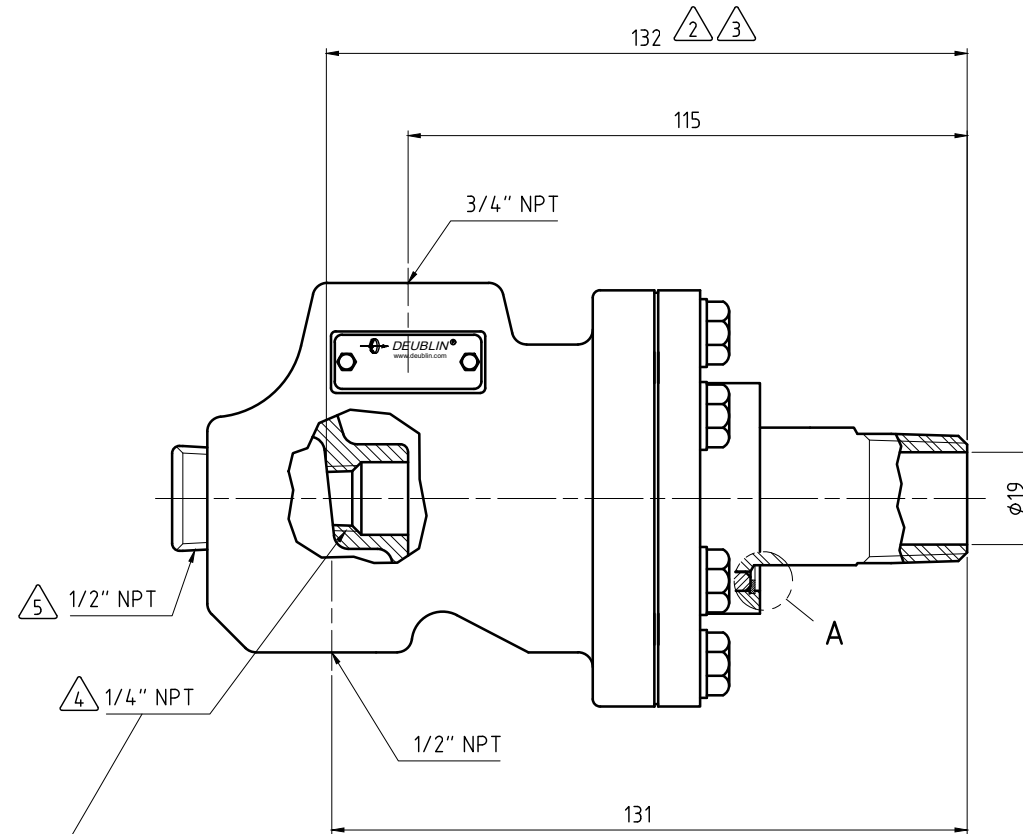
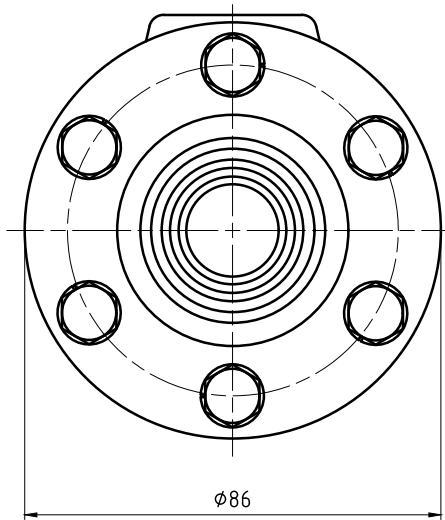


NOTES:

- ① - SEAL MUST BE REPLACED WHEN "X" DIMENSION EXCEEDS 4.8mm. CONTACT DEUBLIN FOR APPROPRIATE SERVICE KIT.
- ② - PIPE LENGTH INTO UNION.
- ③ - PIPE SUPPLIED BY CUSTOMER.
- ④ - OPTIONAL SIPHON INSERT INCLUDED.
- ⑤ - PLUG INSTALLED HAND TIGHT FROM FACTORY. IF PORT IS NOT UTILIZED, TIGHTEN BEFORE USE.



SEAL WEAR DETAIL

A (5:1)

		PROJECTION:	SCALE: 1:1
			MATERIAL:
			INTERFACE CONTROL DRAWING
		DATE	NAME
		DRN. 10/08/13	N. Reyna
		ENGR. 10/08/13	L. Freed
		APPD.	
UNLESS SPECIFICALLY TOLERANCED, ALL DIMENSIONS ARE CONSIDERED REFERENCE			TITLE:
			UNION TYPE C DUOFLOW
ISSUE MODIFICATION ECO DATE SIGN			NO.
			BC-54065-12-51
			SHEET
			A2