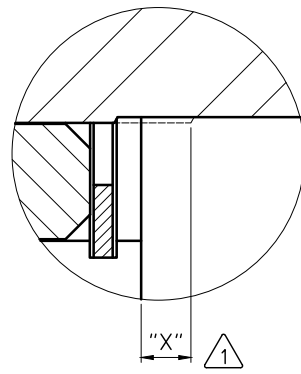
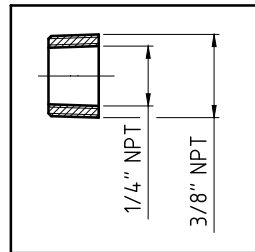
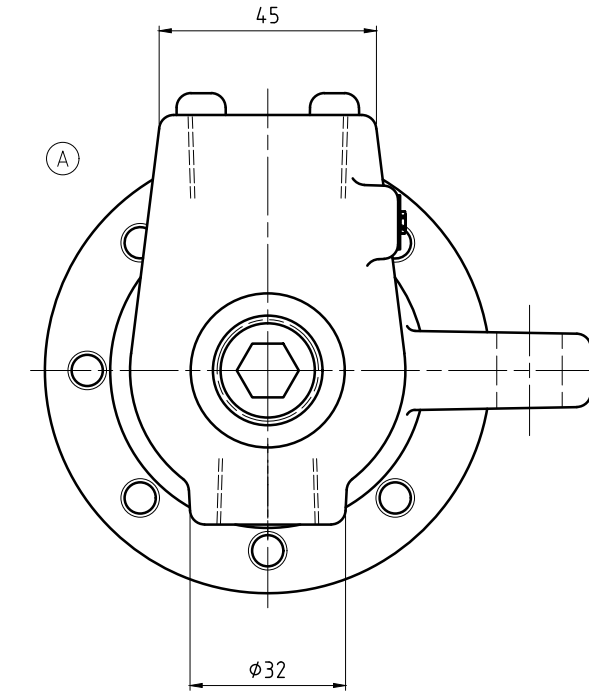
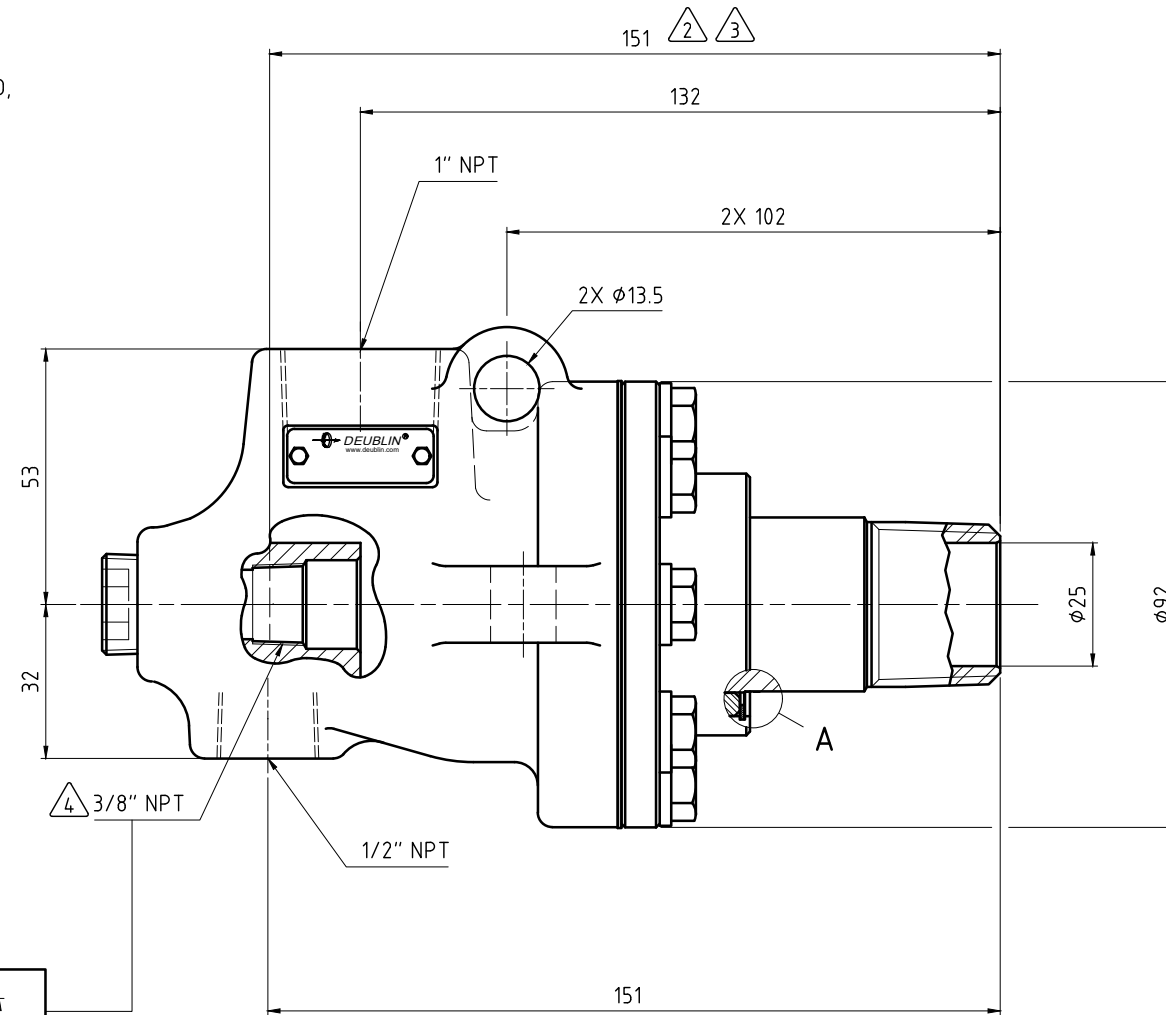
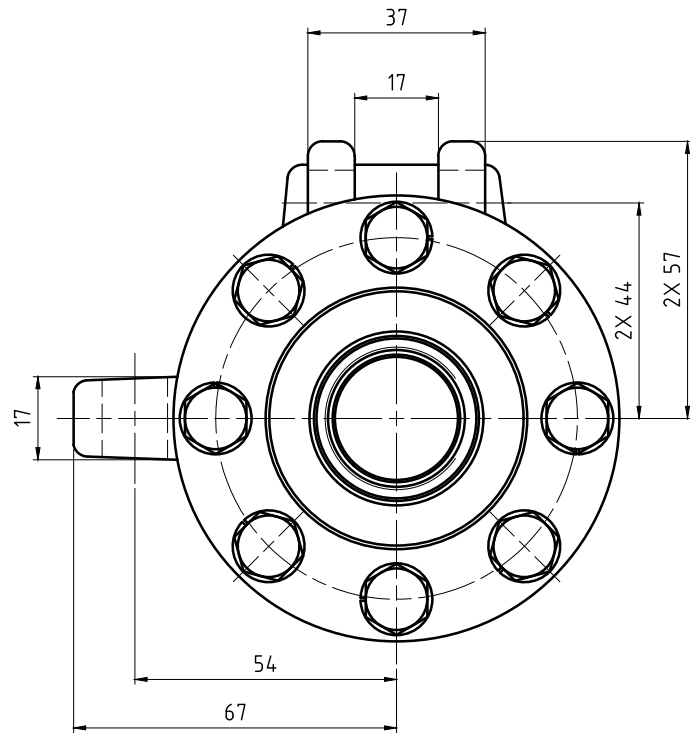


CONFIDENTIAL
 THIS DOCUMENT CONTAINS CONFIDENTIAL AND PROPRIETARY INFORMATION OF DEUBLIN COMPANY. COPYING, USE, TRANSMISSION, DISTRIBUTION, AND DISCLOSURE ARE SUBJECT TO THE TERMS AND CONDITIONS CONTAINED IN YOUR AGREEMENT WITH DEUBLIN COMPANY. ALL RIGHTS RESERVED.

NOTES:

- ① - SEAL MUST BE REPLACED WHEN "X" DIMENSION EXCEEDS 6.3 mm. CONTACT DEUBLIN FOR APPROPRIATE SERVICE KIT.
- ② - PIPE LENGTH INTO UNION.
- ③ - PIPE SUPPLIED BY CUSTOMER.
- ④ - OPTIONAL SIPHON INSERT INCLUDED.
- ⑤ - PLUG INSTALLED HAND TIGHT FROM FACTORY. IF PORT IS NOT UTILIZED, TIGHTEN BEFORE USE.



SEAL WEAR DETAIL

A (5:1)

OPERATING DATA			
MEDIA		WATER	STEAM
PRESSURE	MAXIMUM	13.8 bar	8.6 bar
TEMPERATURE	MAXIMUM	178 °C	178 °C
SPEED	MAXIMUM	200 min ⁻¹	200 min ⁻¹
DRY RUN		NO	



SCALE: 1:1

MATERIAL: INTERFACE CONTROL DRAWING

TITLE: UNION TYPE C FIXED SIPHON
 BRONZE TRIM NPT PORTS 1" NPT RH RTR

NO. BC-54065-16-50

SHEET A2

DATE	NAME	DATE	NAME
DRN. 06/13/13	N. Reyna		
ENGR. 06/13/13	L. Freed		
APPD.			

UNLESS SPECIFICALLY TOLERANCED, ALL DIMENSIONS ARE CONSIDERED REFERENCE