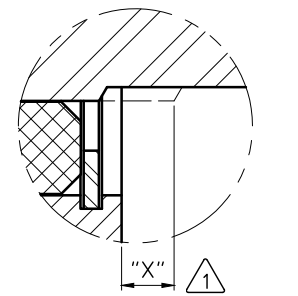
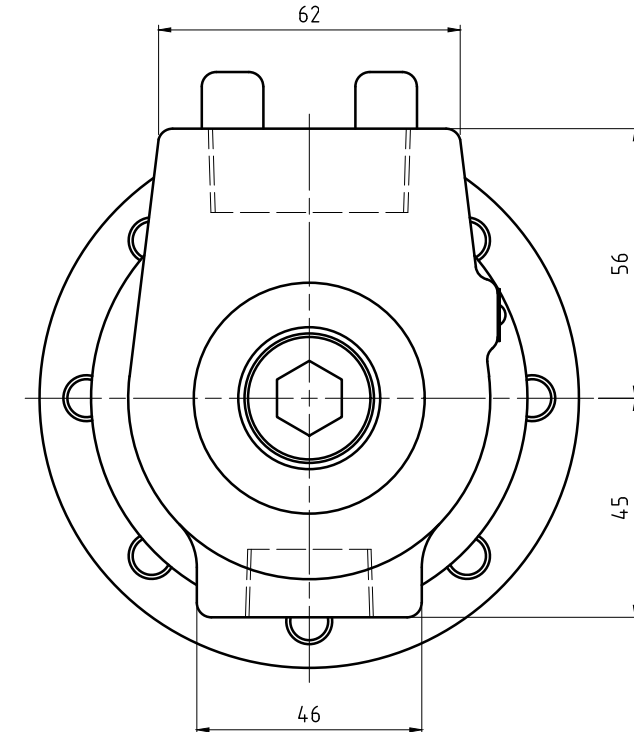
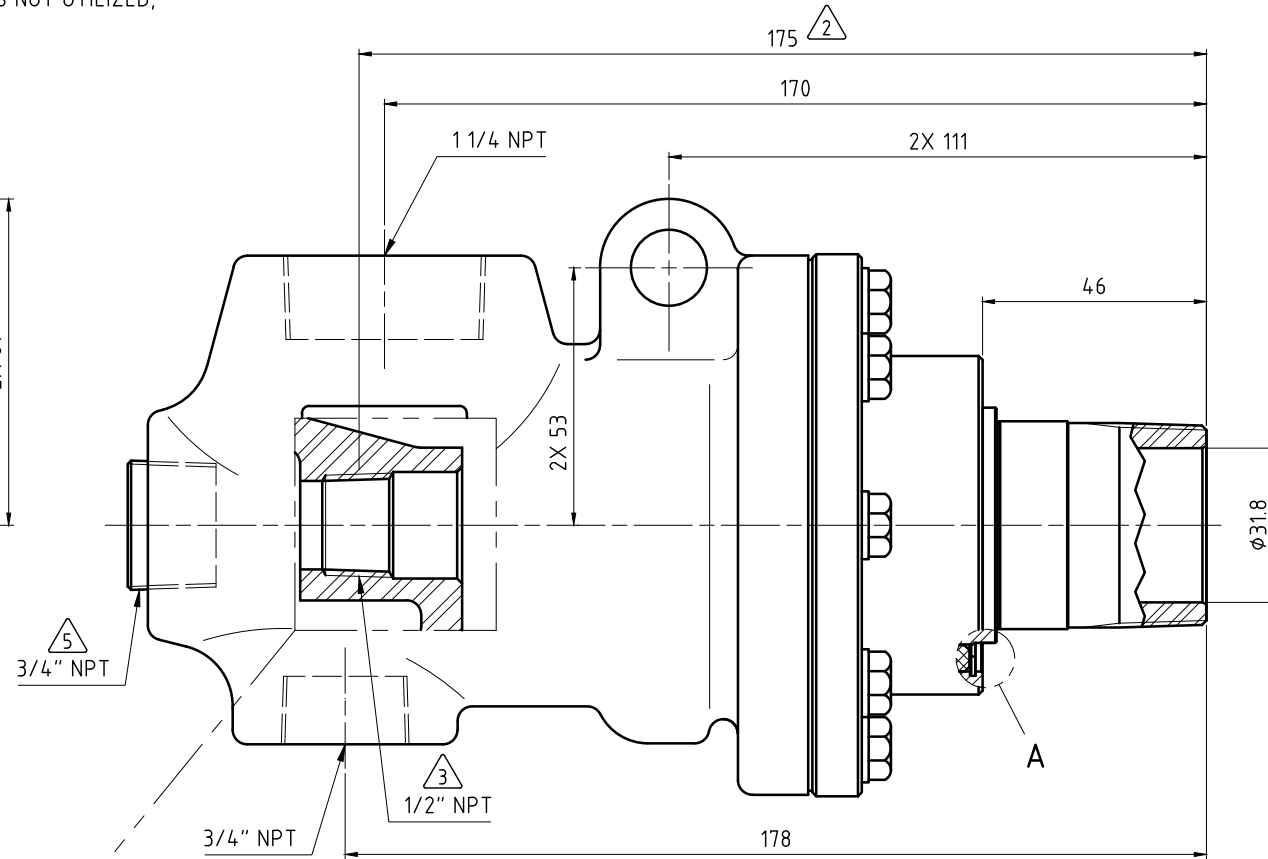
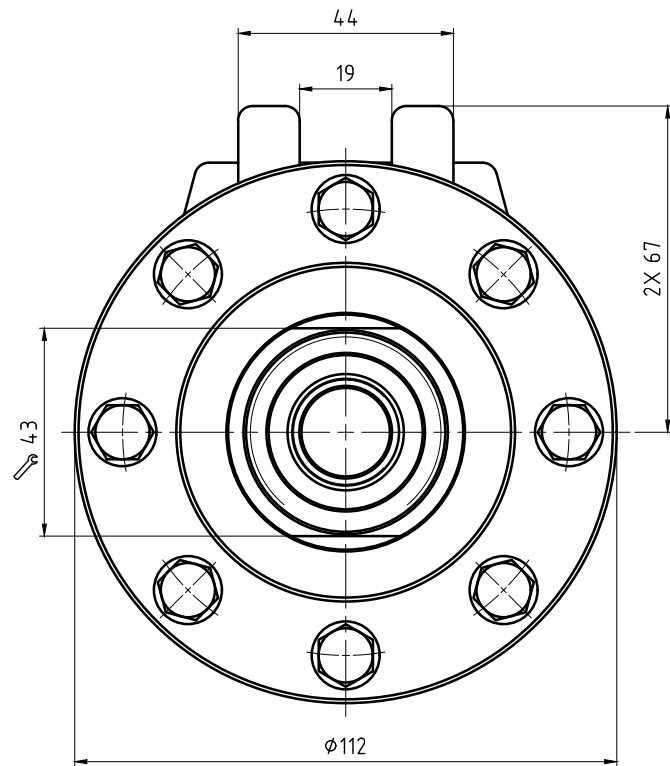
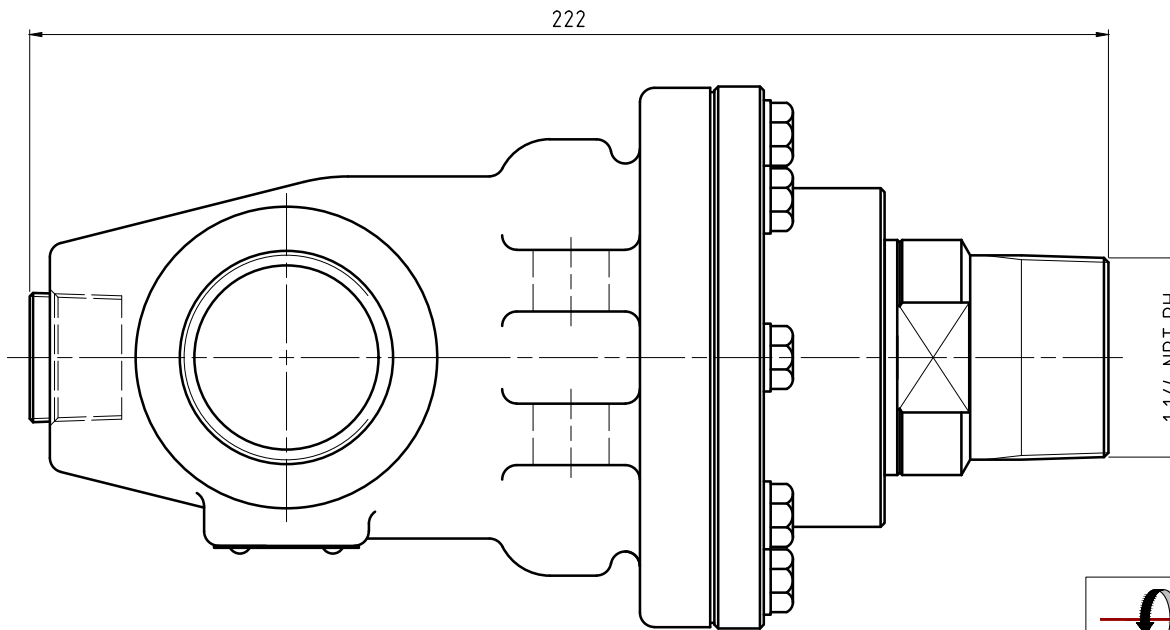
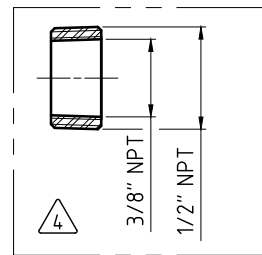


NOTES:

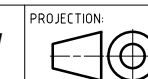
- ① - SEAL MUST BE REPLACED WHEN "X" DIMENSION EXCEEDS 6.3 mm. CONTACT DEUBLIN FOR APPROPRIATE SERVICE KIT.
- ② - PIPE LENGTH INTO UNION.
- ③ - PIPE SUPPLIED BY CUSTOMER.
- ④ - OPTIONAL SIPHON INSERT INCLUDED.
- ⑤ - PLUG INSTALLED HAND TIGHT FROM FACTORY. IF PORT IS NOT UTILIZED, TIGHTEN BEFORE USE.



"X" SEAL WEAR DETAIL
 A (2:1)



OPERATING DATA			
MEDIA		STEAM	WATER
PRESSURE	MAXIMUM	8.6 bar	20.6 bar
TEMPERATURE	MAXIMUM	178 °C	178 °C
SPEED	MAXIMUM	200 min ⁻¹	200 min ⁻¹
DRY RUN		NO	NO



PROJECTION:
 SCALE: 1:1
 MATERIAL: INTERFACE CONTROL DRAWING

DATE	NAME
DRN. 02/20/20	N. Reyna
ENGR. 02/20/20	T. Wilson
APPD.	

TITLE: UNION TYPE C FIXED SIPHON
 NPT PORTS 1 1/4 NPT RH ROTOR
 NO. BC-54065-20-50

ISSUE	MODIFICATION	ECO	DATE	SIGN

UNLESS SPECIFICALLY TOLERANCED, ALL DIMENSIONS ARE CONSIDERED REFERENCE

SHEET
 A2