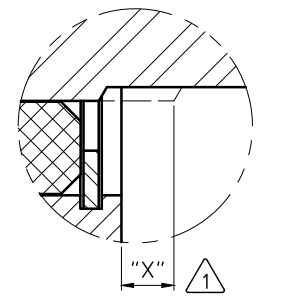
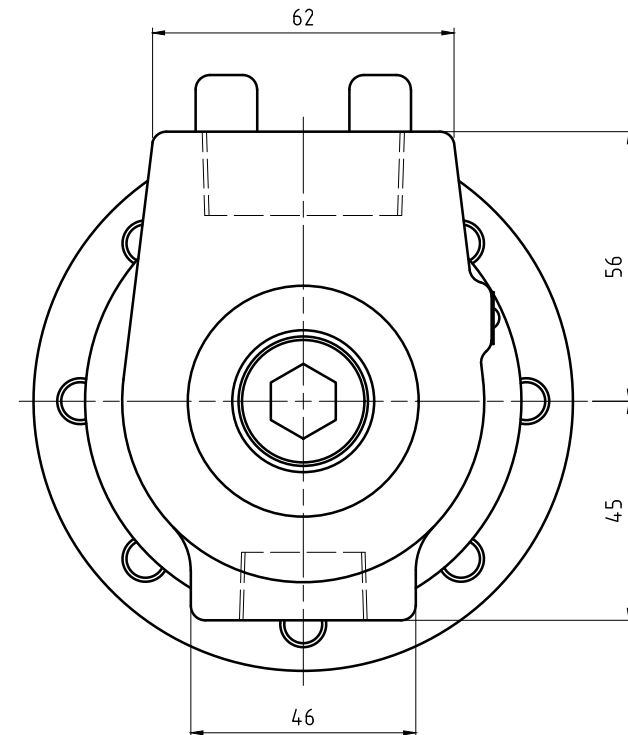
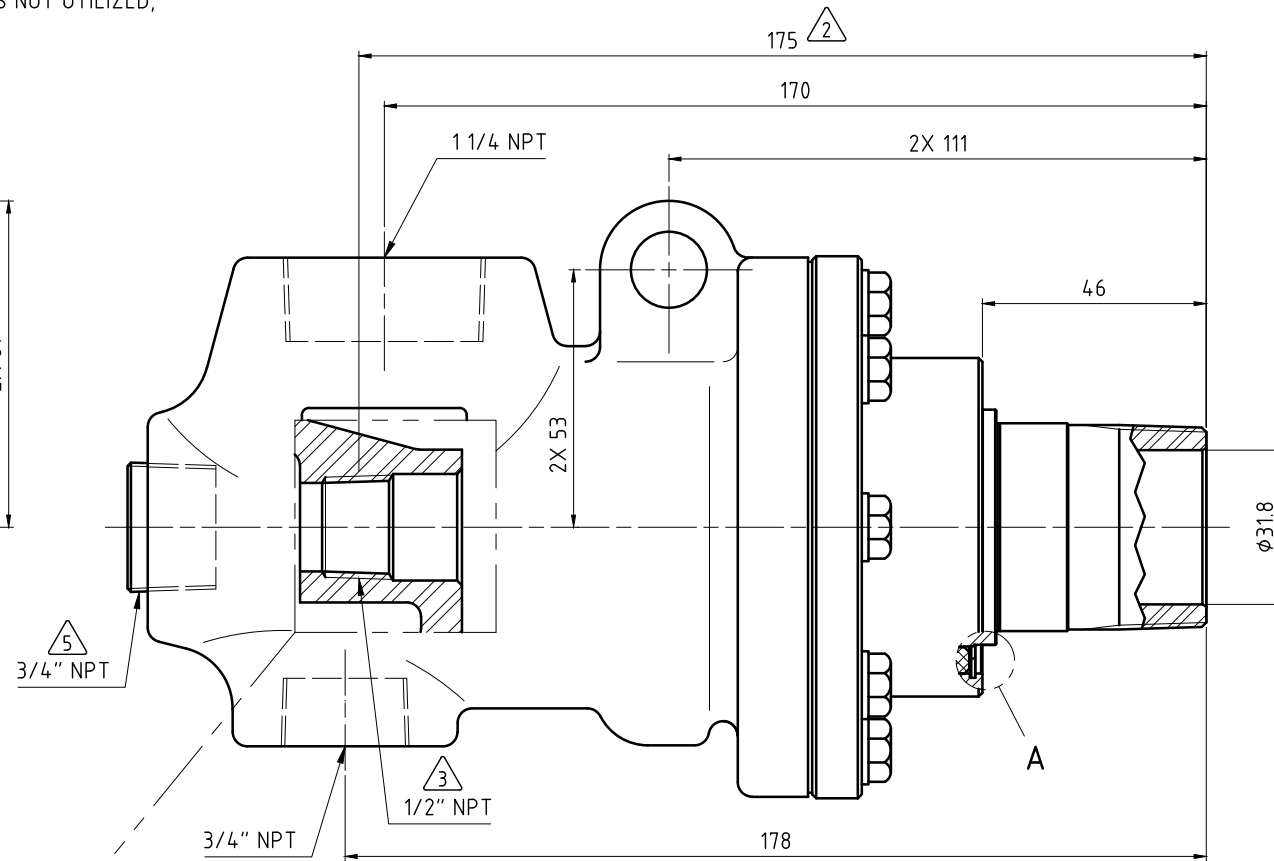
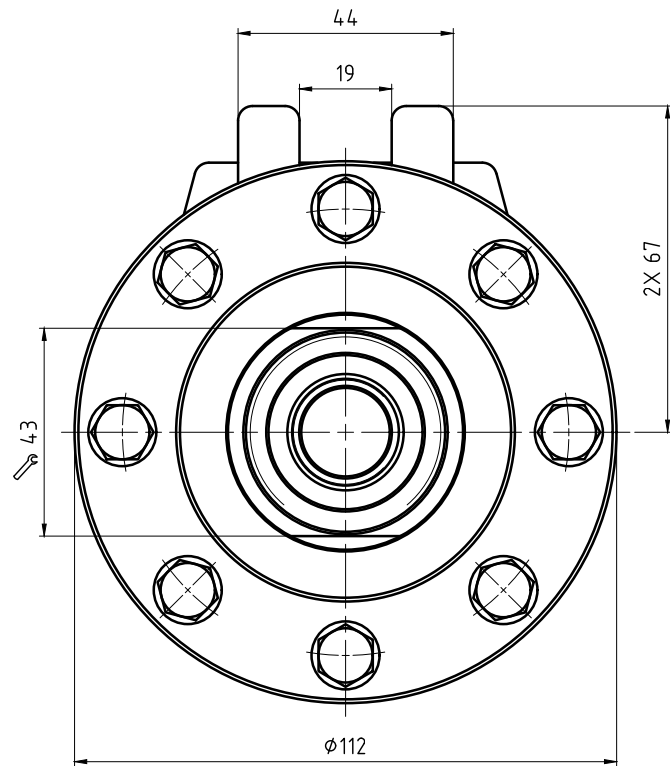
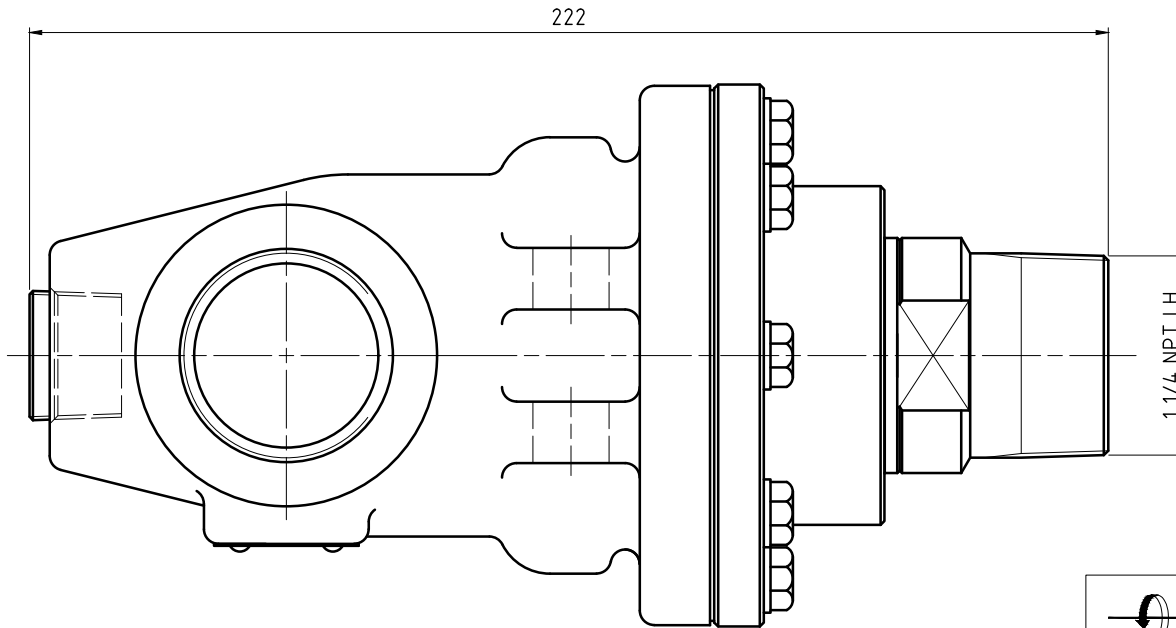
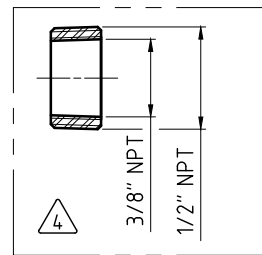


NOTES:

- ① - SEAL MUST BE REPLACED WHEN "X" DIMENSION EXCEEDS 6.3 mm. CONTACT DEUBLIN FOR APPROPRIATE SERVICE KIT.
- ② - PIPE LENGTH INTO UNION.
- ③ - PIPE SUPPLIED BY CUSTOMER.
- ④ - OPTIONAL SIPHON INSERT INCLUDED.
- ⑤ - PLUG INSTALLED HAND TIGHT FROM FACTORY. IF PORT IS NOT UTILIZED, TIGHTEN BEFORE USE.



"X" SEAL WEAR DETAIL
 A (2:1)



OPERATING DATA			
MEDIA		STEAM	WATER
PRESSURE	MAXIMUM	8.6 bar	20.6 bar
TEMPERATURE	MAXIMUM	178 °C	178 °C
SPEED	MAXIMUM	200 min ⁻¹	200 min ⁻¹
DRY RUN		NO	NO

		PROJECTION:	SCALE: 1:1		
			MATERIAL: INTERFACE CONTROL DRAWING		
DRN.	04/17/18	N. Reyna	TITLE: UNION TYPE C FIXED SIPHON NPT PORTS 1 1/4 NPT LH ROTOR		
ENGR.	04/17/18	T. Wilson			
APPD.					
UNLESS SPECIFICALLY TOLERANCED, ALL DIMENSIONS ARE CONSIDERED REFERENCE			NO. BC-54065-20-51		
ISSUE	MODIFICATION	ECO	DATE	SIGN	SHEET A2